

5220A

Transconductance Amplifier

Instruction Manual

FLUKE

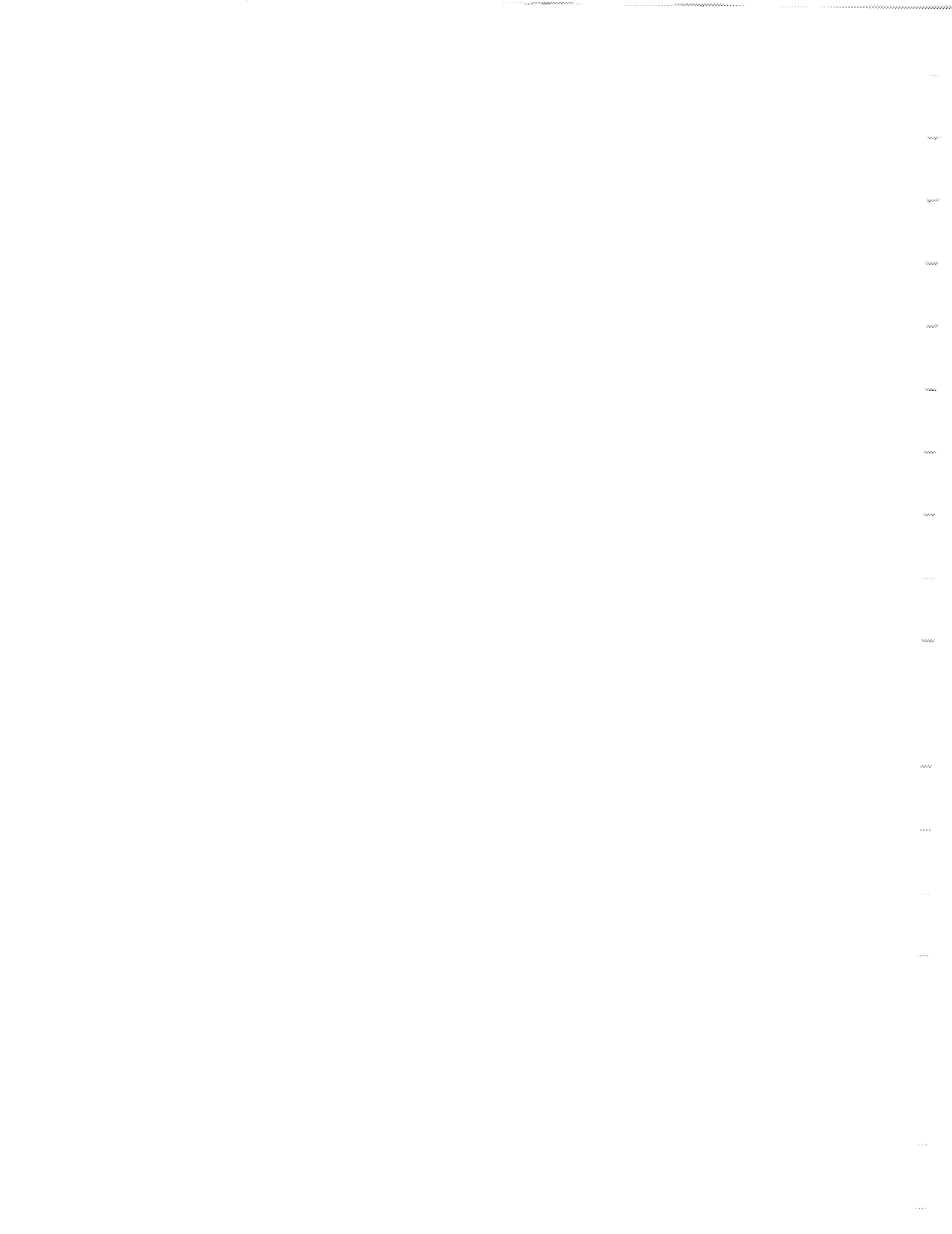


Table of Contents

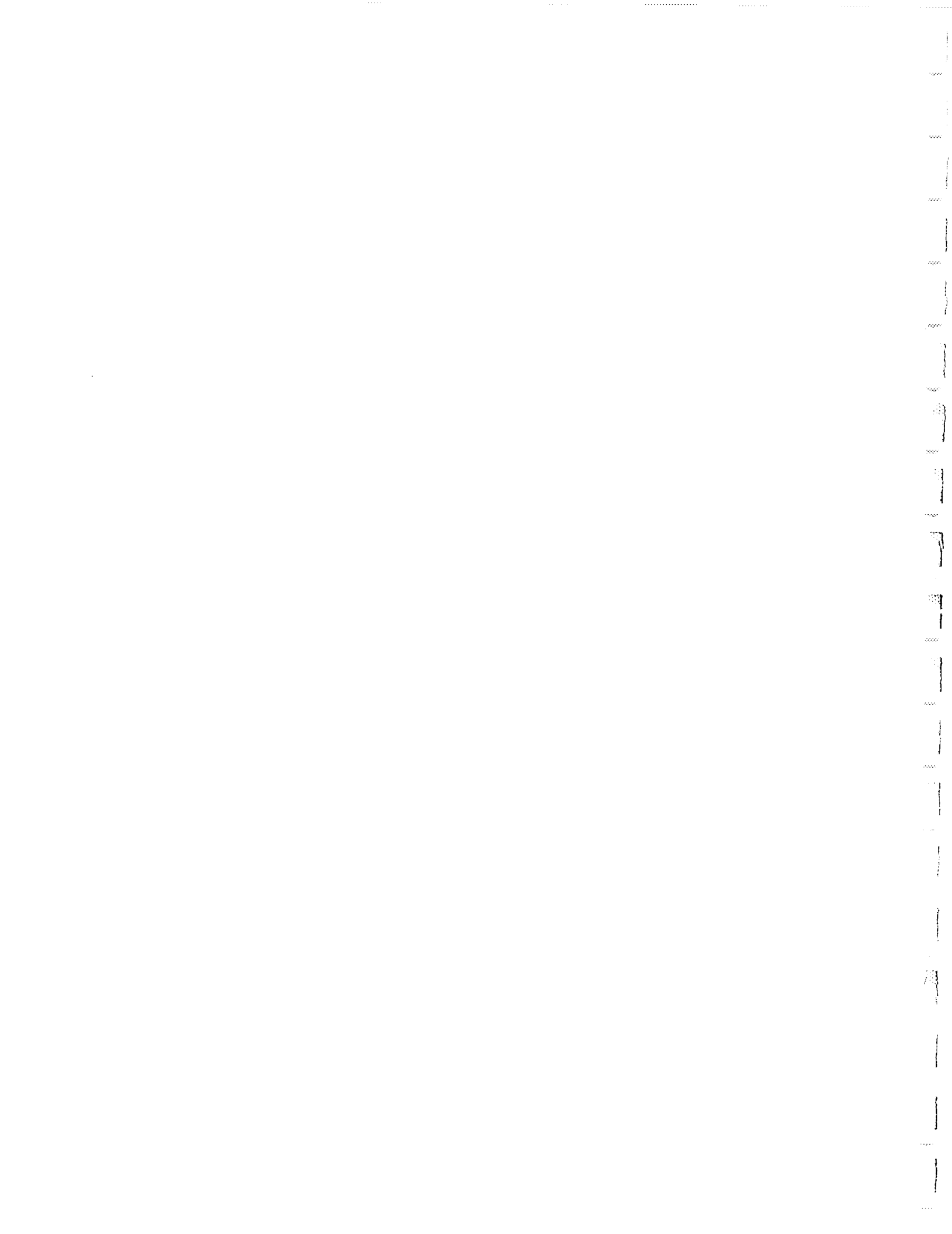
SECTION	TITLE	PAGE
1	INTRODUCTION AND SPECIFICATIONS	1-1
1-1.	INTRODUCTION	1-1
1-9.	SPECIFICATIONS	1-1
2	OPERATING INSTRUCTIONS	2-1
2-1.	INTRODUCTION	2-1
2-3.	SHIPPING INFORMATION	2-1
2-6.	INPUT POWER	2-1
2-8.	FUSE REPLACEMENT	2-1
2-9.	AC Line Fuse	2-1
2-11.	Power Supply Fuses	2-1
2-13.	RACK INSTALLATION	2-1
2-15.	OPERATING FEATURES	2-1
2-17.	OPERATING NOTES	2-4
2-19.	AC Line Connection	2-4
2-21.	Transconductance Amplifier	2-4
2-24.	Input Voltage Requirements	2-4
2-28.	Input Voltage Selection, Front/Rear	2-4
2-30.	Current Output, Front/Rear	2-4
2-32.	Standby/Operate	2-5
2-35.	Local/Remote	2-5
2-37.	Status Indicators	2-5
2-42.	Audible Output	2-5
2-44.	Inductive Loads	2-5
2-46.	OPERATION	2-6
3	THEORY OF OPERATION	3-1
3-1.	INTRODUCTION	3-1
3-3.	OVERALL FUNCTIONAL DESCRIPTION	3-1
3-4.	General	3-1
3-7.	Analog Section	3-1
3-12.	Digital Section	3-3
3-16.	CIRCUIT ANALYSIS	3-3
3-18.	Power Supply	3-4
3-23.	A5 Preamplifier	3-5
3-29.	A6 Driver	3-6
3-36.	A7 Output	3-7
3-39.	A8 Analog Control	3-8

TABLE OF CONTENTS, *continued*

SECTION	TITLE	PAGE
3-45.	A9 Front Panel	3-9
3-48.	A10 Logic	3-9
3-75.	A11 MIS Bus Interface	3-13
4	MAINTENANCE	4-1
4-1.	INTRODUCTION	4-1
4-3.	SERVICE INFORMATION	4-1
4-6.	GENERAL MAINTENANCE	4-2
4-7.	Cleaning	4-2
4-9.	Air Filter Maintenance	4-2
4-11.	Access Information	4-2
4-28.	Fuse Replacement	4-5
4-33.	Line Voltage Selection	4-5
4-35.	Output Terminal Selection, Front/Rear	4-6
4-37.	Service Tools	4-6
4-39.	PERFORMANCE TEST	4-6
4-43.	Initial Conditions	4-6
4-45.	Front Panel Tests	4-6
4-47.	Zero Output	4-7
4-49.	DC Accuracy and Line Regulations	4-7
4-51.	Harmonic Distortion	4-7
4-53.	Frequency Response	4-8
4-55.	Overcurrent Trip Test	4-8
4-57.	Overvoltage Trip Test	4-8
4-59.	CALIBRATION ADJUSTMENTS	4-8
4-63.	Initial Conditions	4-9
4-65.	Input Offset Adjustment	4-9
4-67.	Driver Offset Adjustment	4-9
4-69.	Output Bias Adjustment	4-9
4-71.	DC Accuracy Adjustment	4-10
4-73.	Frequency Response	4-10
4-75.	Overcurrent Adjustment	4-10
4-77.	Overvoltage Adjustment	4-10
4-79.	REPLACEMENT OF SELECTED COMPONENTS	4-11
4-81.	Resistors R11 and R12	4-11
4-83.	Resistor R13	4-12
4-85.	TROUBLESHOOTING	4-13
5	LIST OF REPLACEABLE PARTS	5-1
	TABLE OF CONTENTS	5-1
5-1.	INTRODUCTION	5-1
5-4.	HOW TO OBTAIN PARTS	5-1
5-8.	MANUAL STATUS INFORMATION	5-1
6	OPTIONS AND ACCESSORIES	6-1
	TABLE OF CONTENTS	6-1
7	SCHEMATIC DIAGRAMS	7-1
	TABLE OF CONTENTS	7-1

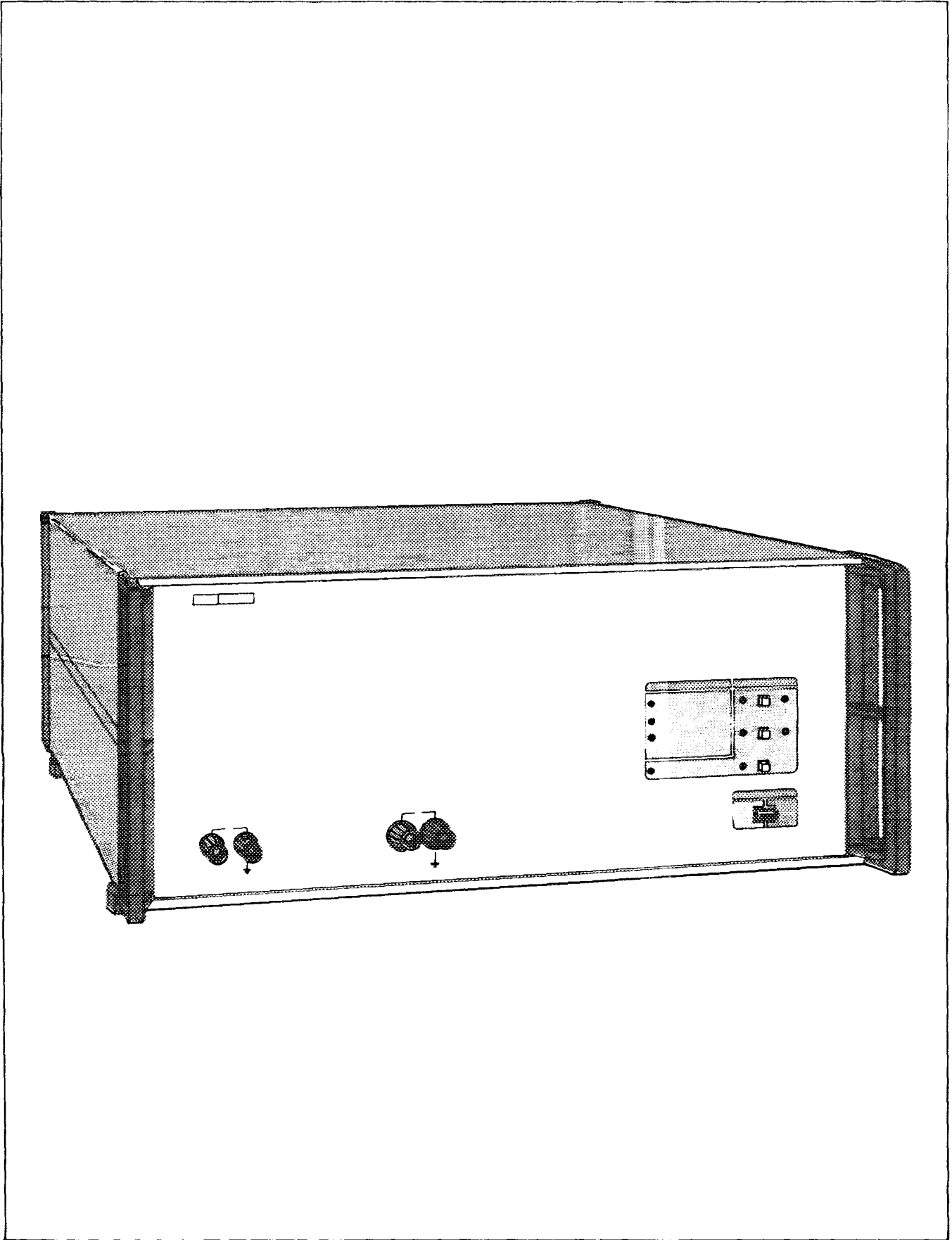
List of Tables

TABLE	TITLE	PAGE
1-1.	Accessories	1-1
1-2.	Specifications	1-2
2-1.	Controls, Indicators and Connectors	2-3
3-1.	Effect of Reset Command on A10 Logic and A9 Front Panel	3-11
4-1.	Required Test Equipment	4-1
4-2.	DC Accuracy Test	4-7
4-3.	Frequency Response Test	4-8
4-4.	Replacement Resistors for R11 and R12	4-12
4-5.	Replacement Resistors for R13	4-13
4-6.	Mainframe and Digital Section Troubleshooting Guide	4-16
4-7.	Analog Section Troubleshooting Guide	4-20



List of Illustrations

FIGURE	TITLE	PAGE
Frontispiece	5220A Transconductance Amplifier	vi
1-1.	Outline Drawings	1-3
2-1.	Controls, Indicators and Connectors	2-2
2-2.	Maximum Load Inductance vs Frequency	2-6
2-3.	Typical Transconductance Error for Inductive Loads	2-7
3-1.	5220A Functional Block Diagram	3-2
3-2.	Transconductance Amplifier Simplified Block Diagram	3-3
3-3.	Power Supply Functional Block Diagram	3-4
3-4.	A5 Preamplifier Functional Block Diagram	3-5
3-5.	A6 Driver Functional Block Diagram	3-6
3-6.	A7 Output Functional Block Diagram	3-7
3-7.	A8 Analog Control Simplified Block Diagram	3-8
3-8.	A10 Logic Simplified Block Diagram	3-10
3-9.	Timing Sequence	3-11
3-10.	A11 MIS Bus Interface	3-13
4-1.	Internal Component/Assembly Locations	4-3
4-2.	Line Voltage Selection	4-5
4-3.	Test Point Location/Identification	4-14
4-4.	Flow Chart Summary of Mainframe and Digital Section Troubleshooting Guide	4-15
4-5.	Flow Chart Summary of Analog Section Troubleshooting Guide	4-19



5220A Transconductance Amplifier

Section 1

Introduction & Specifications

1-1. INTRODUCTION

1-2. The Model 5220A is a transconductance amplifier designed to operate as either a stand alone unit or an extension of the Fluke Model 5100 Series Calibrator. Functionally, the instrument operates as a precision ac/dc current source for calibrating current shunts and/or current meters. As the name (transconductance amplifier) implies, the output current level is a function of an input control voltage. The input/output ratio is established at 1:1 so that a voltage input in the range of -20 to +20 volts will produce a proportional current output of -20 to +20 amperes. Input voltages may be either dc or ac levels depending on the output requirements. Bandwidth for ac operation is dc to 5 kHz.

1-3. Control of the 5220A can be handled locally using front panel controls or remotely by way of the 5100 Series Calibrator. (The 5100 must be equipped with a Model Y5000 Interface.) Control mode selection is accomplished using two front-panel pushbutton switches, INPUT and LOCAL. The INPUT switch allows selection of either front or rear control-voltage input connections. The LOCAL switch is used to recall the 5220A from remote to local operation.

1-4. A series of front panel indicators is used to visually display both the control and operating status of the 5220A. Control indicators include OPER (operate), STDBY (standby), FRONT input, REAR input, REMOTE, and LOCAL LOCKOUT. The combination of lit LEDs indicates the present status of the control mode. Status indicators include THERMAL CUT-OFF, OVERCOMPLIANCE, and OVERCURRENT. When any one of these indicators is lit, an overload condition has been detected causing the 5220A to switch to standby operation. All indicators are active regardless of the selected control mode, local or remote.

1-5. Current output connections are provided on both the front and rear panels. However, only one set of

terminals is active. Selection of the desired set is accomplished internally and is, therefore, not considered an operator function. Neither local nor remote operation is affected by the selection of front or rear output.

1-6. Forced-air circulation is incorporated in the 5220A to ensure adequate cooling of the current output stage. Air is pulled in through a rear-panel filter, passed over the output stage heat sink, and exhausted through the unit's side panels.

1-7. The 5220A is designed to operate from ac line voltages within the range of 90V ac to 264V ac, 50 to 60 Hz. One-of-eight specific voltages (100, 110, 115, 120, 200, 220, 230, 240V ac $\pm 10\%$) can be selected to ensure compatibility with the local line voltage. The selection switches are inside the 5220A. Refer to Section 4 of this manual for information on how to properly set the line power switches.

1-8. Accessories available for use with the 5220A are listed and described in Table 1-1. The rack mounting kits are designed for use with a standard 19-inch equipment rack. The Model Y5020A is a precision current shunt recommended for use in calibrating the 5220A. Specify both model number and description when ordering accessories.

1-9. SPECIFICATIONS

1-10. Specifications for the Model 5220A are given in Table 1-2.

Table 1-1. Accessories

MODEL NO.	DESCRIPTION
M07-205-600	Rack Mounting Kit
M00-260-610	Rack Slide Kit, 18-inch
M00-280-610	Rack Slide Kit, 24-inch
Y5020	Precision Shunt

Table 1-2. Specifications

CALIBRATION CYCLE	All specifications are valid for a 180 day period at an operating temperature of 20°C to 30°C and a relative humidity of 70% or less.
BASIC	
Transconductance	1 Siemen (1 ampere per volt)
Output Range	0 to 20A dc or rms ac (28.3A peak)
Compliance Voltage	≥±4V dc, or 3V rms ac (4.25V peak)
DC Accuracy	±(0.025% of output +1 mA)
AC Accuracy	±(0.05% of output +1 mA) from 30 Hz to 1 kHz, and ±(0.05% of output +1 mA) x f from 1 kHz to 5 kHz, where f = frequency in kHz.
Short Term DC Stability	Output changes less than ±(0.005% +200 μA) in 10 minutes, with constant line, load, and temperature.
Short Term AC Stability	Output changes less than ±(0.01% +500 μA) in 10 minutes, with constant line, load, and temperature.
Harmonic Distortion and Noise	±(0.05% of output ±1 mA rms) over frequency range of 30 Hz to 1 kHz and measured with a noise bandwidth of 300 kHz, ±(0.05% of output +1 mA) x f from 1 kHz to 5 kHz, where f = frequency in kHz.
Temperature Coefficient	±(0.0025% of output +100 μA per degree C, above 30°C or below 20°C.
Transient Recovery	Output will settle to within 0.01% of final value within 2 seconds following a programmed change in output current or frequency (10 ms for 5220A alone).
DC MODE (Including 5100 Series B)	
Output Range	±1 to ±19.9999A
Accuracy of Output	±(0.025% of selected output +1 mA)
Resolution	±0.1 mA
Temperature Coefficient	±(0.003% of selected output +100 μA)/°C above 30°C and below 20°C.
Line Regulation	Output changes less than 0.001% for a ±10% change in line voltage
Load Regulation	Output changes less than ±(0.005% to +0.3 mA) for a full load changes of 4 volts of compliance.
AC MODE (Including 5100 Series B)	
Output Range	1A rms to 19.9999A rms
Accuracy of Output	±(0.07% of selected output +1 mA rms) from 50 Hz to 1 kHz, and ±(0.07% of selected output +1 mA rms) x f from 1 kHz to 5 kHz, where f = frequency in kHz.
Resolution	±0.1 mA rms
Temperature Coefficient	±(0.003% of selected output +100 μA rms) per degree C, above 30°C and below 20°C.
Short Term Stability	Output changes less than ±(0.02% +500 μA rms) in 10 minutes, with constant line, load, and temperature.
Harmonic Distortion and Noise	±(0.07% of output +1 mA rms) over frequency range of 30 Hz to 1 kHz a noise bandwidth of 300 kHz, ±(0.07% of output +1 mA) x f from 1 kHz to 5 kHz, where f = frequency in Hz.
Line Regulation	Output changes less than 0.005% for ±10% change in line voltage.
Load Regulation	For frequencies less than 1 kHz: ±(0.005% I _{out} +150 uA) per volt of output compliance voltage. For frequencies greater than 1 kHz: ±(0.005% I _{out} +150 μA) X f per volt of output compliance voltage. Where f = Frequency in kHz.

GENERAL**Load Capability**

Drives all resistive and capacitive loads consistent with current and compliance voltage capability. For inductive loads greater than 1 μ H and less than maximum inductive loads, output current is limited to 16A rms, (22.6A peak).

Maximum Isolation Voltage

± 20 V dc or 20V ac rms

Temperature Range

0°C to 50°C (operating) and -20°C to 65°C (storage).

Relative Humidity

50% to 50°C, 75% to 40°C, 95% to 25°C.

Altitude

0 to 10,000 feet (operating) and 0 to 40,000 feet (non-operating)

Vibration

2g maximum, 5 Hz to 55 Hz for 15 minutes.

Shock

15g maximum, half sinewave.

Power Requirements

100, 110, 115, 120, 200, 220, 230, or 240V ac $\pm 10\%$, switch-selectable, 50 Hz to 60 Hz, 300 watts.

Weight

227 kg (50 lbs)

Dimensions

17.8 cm H x 43.2 cm W x 55.9 cm D

(7" H x 17" W x 22" D), Case only, (See Figure 1-1.)

Protection Safety Class 1

Relates solely to insulation or grounding properties as defined in IEC 348.

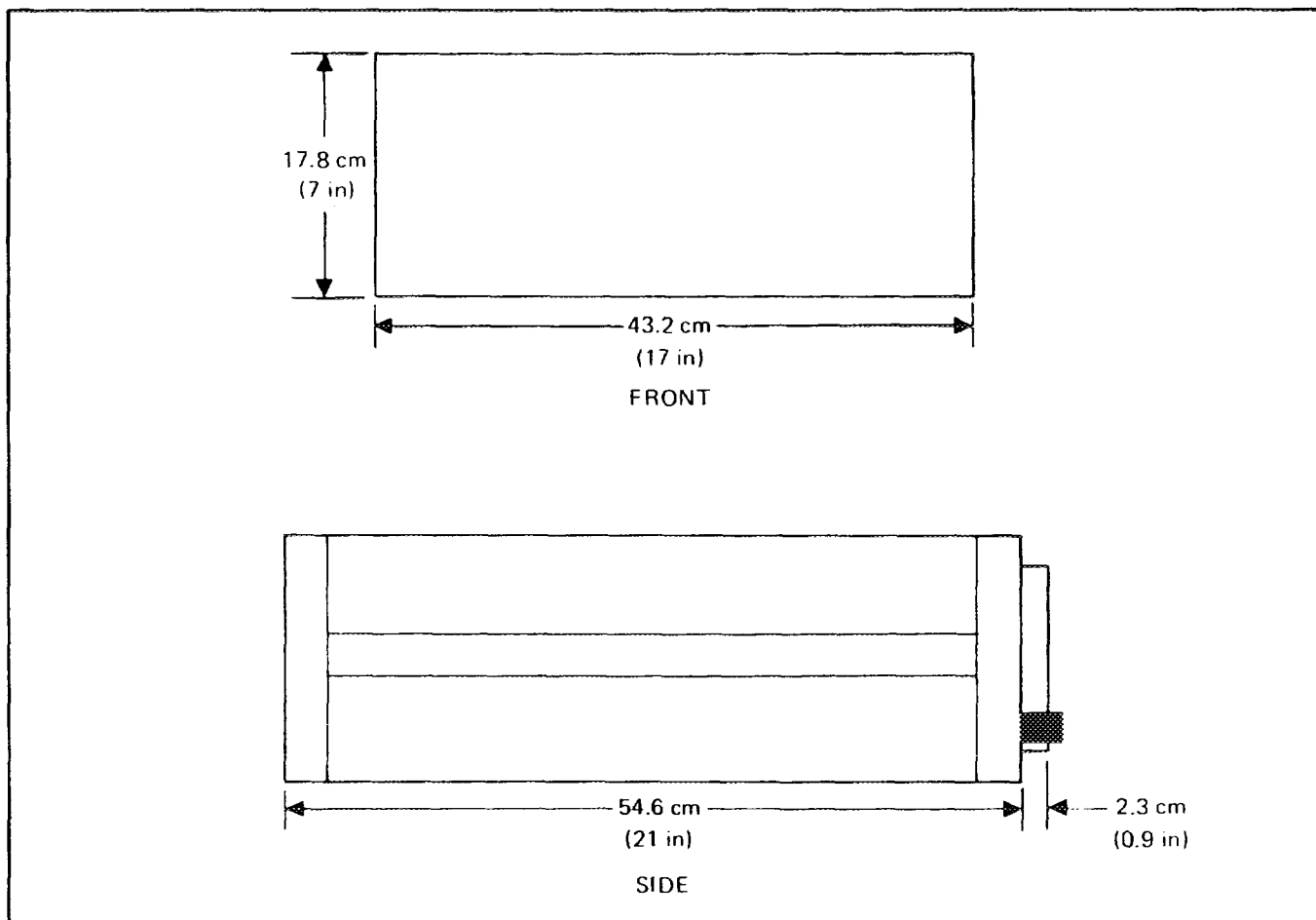
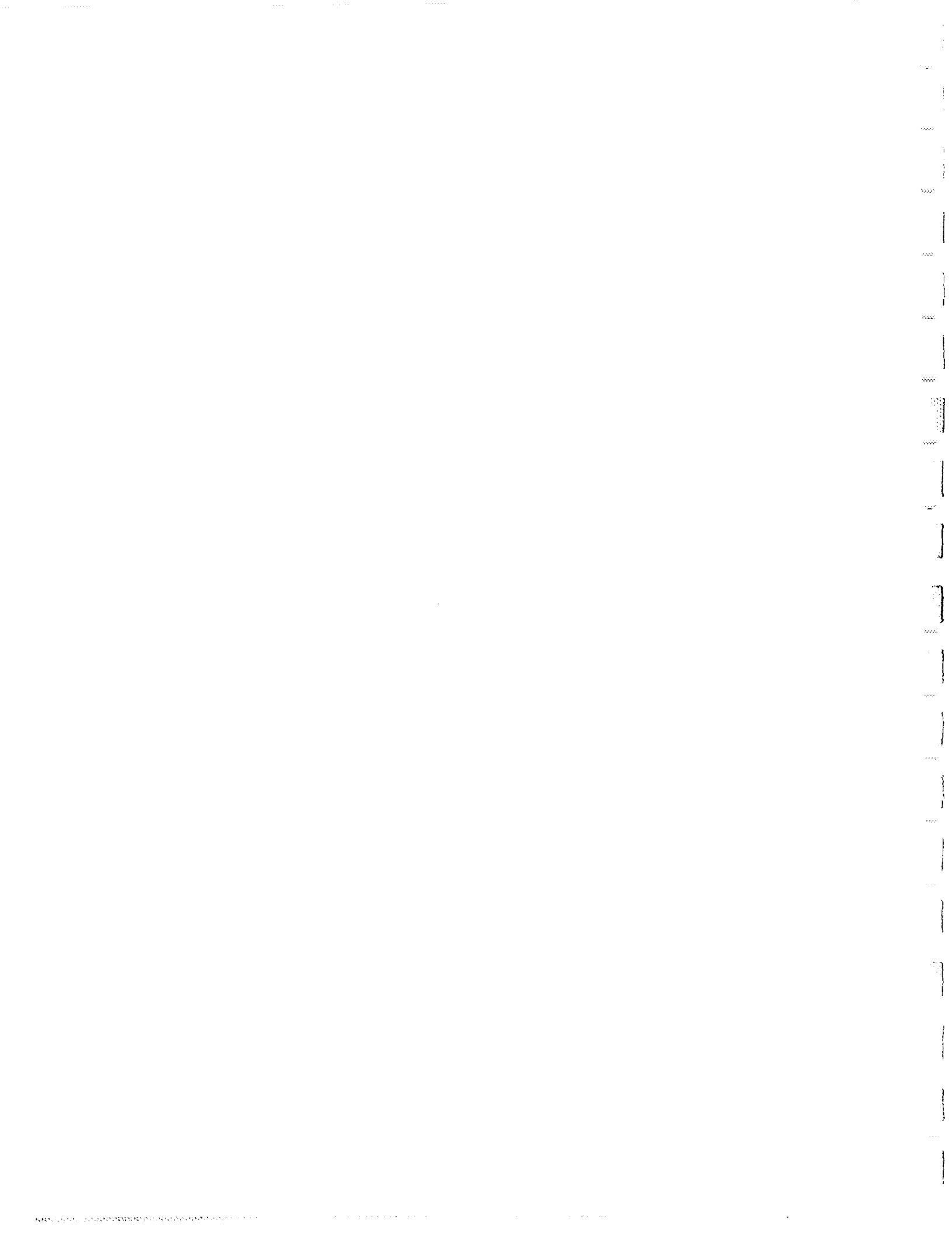


Figure 1-1. Outline Drawings



Section 2

Operating Instructions

2-1. INTRODUCTION

2-2. This section of the manual contains information concerning the installation and operation of the Model 5220A Tranconductance Amplifier. It is recommended that the contents of this section be read and understood before any attempt is made to operate the unit. Should any difficulties arise during operation, contact your nearest John Fluke Sales Representative, or the John Fluke Mfg. Co., Inc., P.O. Box C9090, Everett, WA 98206; telephone (206) 347-6100.

2-3. SHIPPING INFORMATION

2-4. The 5220A is packaged and shipped in a foam-packed container. Upon receipt of the instrument, a thorough inspection should be made to reveal any possible shipping damage. Special instructions for inspection and claims are included on the shipping carton.

2-5. If reshipment of the instrument is necessary, the original container should be used. If the original container is not available, a new container can be obtained from the John Fluke Mfg. Co., Inc. Please reference the instrument's model number when requesting a new shipping container.

2-6. INPUT POWER

2-7. The 5220A can be operated from any one of the following 50 to 60 Hz ($\pm 1\%$) line voltages: 100, 110, 115, 120, 200, 220, 230, or 240V ac ($\pm 10\%$). A rear panel decal specifies the voltage selected prior to shipment. If a change in voltage is required, refer to Section 4 of this manual for the selection procedure.

2-8. FUSE REPLACEMENT

2-9. AC Line Fuse

2-10. The ac line fuse is accessible by way of a rear-panel fuse holder located to the left of the input power connector. If fuse replacement is required, disconnect the 5220A from line power and remove the fuse cap and fuse (twist the fuse cap ccw using a screwdriver). Select and install a replacement fuse whose rating is compatible with the local line voltage.

1. 100 to 120V ac use fuse type MDA 3A
2. 200 to 240V ac use fuse type MDX 1.5A

2-11. Power Supply Fuses

2-12. Each of the secondary windings on the power transformer is fused to protect the power supplies from damage in the event of an overload. These fuses, six in all, are internal to the 5220A and are not available to the operator. Details for replacement by qualified personnel are given in Section 4 of this manual.

2-13. RACK INSTALLATION

2-14. The 5220A is designed for either bench-top use or for installation in a standard 19-inch equipment rack using the accessory Rack Mounting Kit (John Fluke P/N M08-205-600). Chassis slides (John Fluke P/N M00-280-610) can also be installed to facilitate access to the instrument when it is installed in an equipment rack. Information regarding the installation of the rack-mounting accessories is included in Section 6.

2-15. OPERATING FEATURES

2-16. The function and location of all 5220A controls, indicators, and connectors are shown in Figure 2-1 and described in Table 2-1.

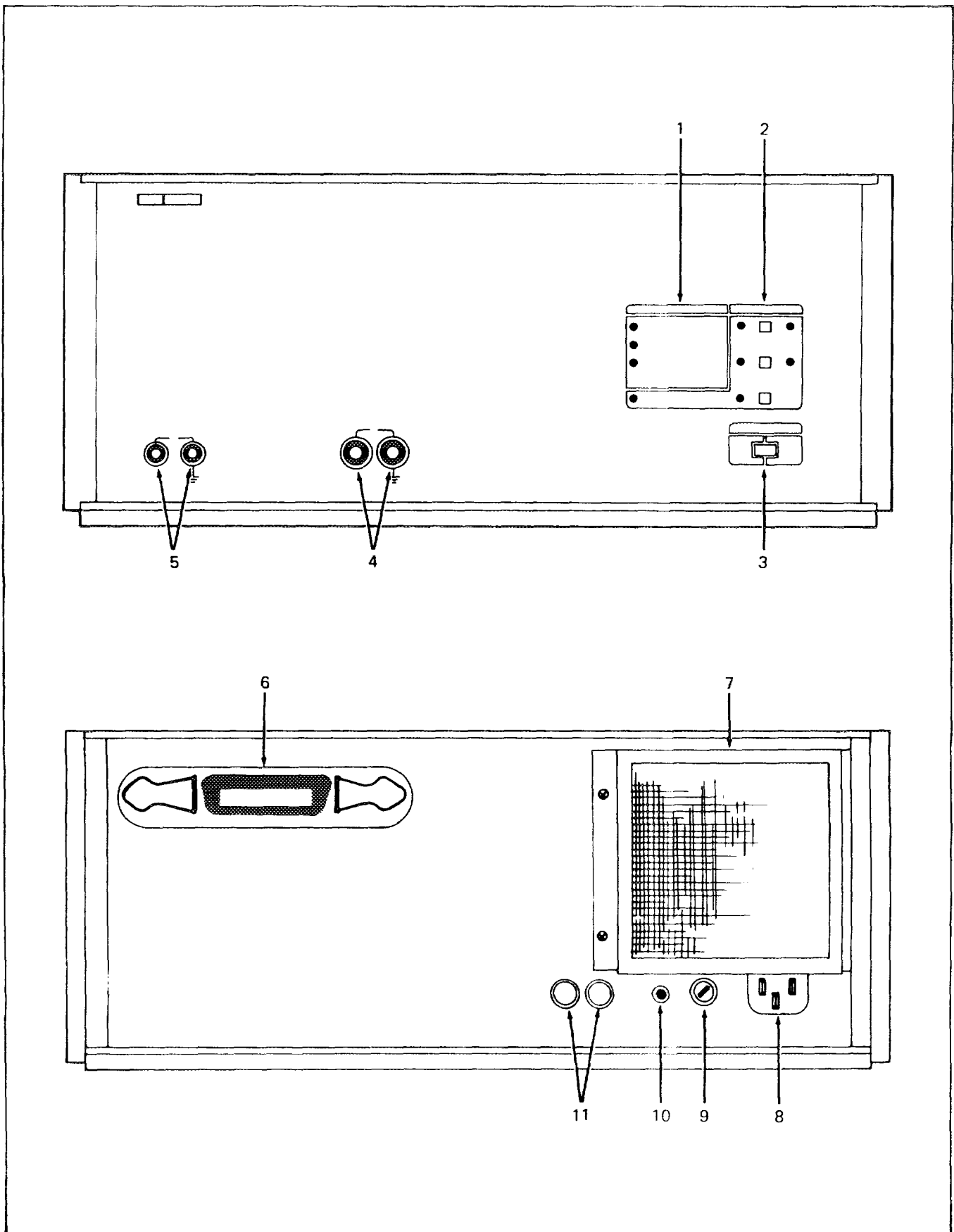


Figure 2-1. Controls, Indicators and Connectors

Table 2-1. Controls, Indicators and Connectors

REF NO.	NAME	FUNCTION
1	STATUS Indicators	<p>Three LEDs that light on an individual basis to indicate that the 5220A has exceeded an operating limit. When the limit condition is detected the 5220A is switched to the standby mode. When the limit condition is cleared the LED will remain lit until the 5220A is commanded to the operate mode. The three status conditions are as follows:</p> <p>THERMAL CUTOFF – Indicates that the output stage of the 5220A has exceeded its maximum operating temperature.</p> <p>OVERCOMPLIANCE – Indicates that the compliance voltage at the output terminals has exceeded its limit.</p> <p>OVERCURRENT – Indicates that the output current has been programmed beyond its upper limit.</p>
2	CONTROL Switches and Indicators	<p>A series of pushbutton switches and LEDs used to select and indicate the 5220A operating mode. The function of each is as follows:</p> <p>OPR/STDBY Switch – Allows alternate selection of the standby and operate modes.</p> <p>INPUT Switch – Allows alternate selection of the front and rear input connectors.</p> <p>REMOTE Switch – Allows recall of the local mode when remote is enabled and the LOCAL LOCKOUT LED is not lit.</p> <p>OPR/STDBY LEDs – One of the two is lit to indicate the current operating mode, operate or standby.</p> <p>FRONT/REAR LEDs – One is lit to indicate the selected voltage input connector, front or rear.</p> <p>REMOTE LED – Lights to indicate that the remote mode has been remotely selected. If the LED is not lit the local mode is enabled.</p> <p>LOCAL LOCKOUT LED – Lights to indicate that the unit has been remotely locked in the remote mode. In this event, the three front panel CONTROL switches are disabled.</p>
3	POWER Switch	A push-push switch used to switch instrument power on and off.
4	CURRENT OUTPUT Terminals (Front)	A pair of banana-jack terminals used to provide front-panel connection to the output of the current source. The terminals are inactive when the rear-panel output terminals are selected.
5	VOLTAGE INPUT Terminals (Front)	A pair of banana-jack terminals that serve as control voltage input connections in the local/front-input mode.
6	MIS* Bus Connector	A 24-pin connector used as an I/O port for remote operation (Fluke MIS Bus) of the 5220A. When the 5220A is interfaced with a 5100 Series Calibrator (by way of a Y5000 Interface) the 5220A output can be controlled from the 5100 front panel.

* MIS = Modular Instrument System

Table 2-1. Controls, Indicators and Connectors (cont)

7	Ventilation Filter	Prevents dirt and debris from being drawn into the 5220A intake ventilation port.
8	Power Connector	Provides the means of connecting the 5220A to ac line power by way of a 3-wire power cord.
9	Fuse Holder	Houses the ac line fuse and allows easy access for fuse replacement.
10	Ground Connector	A binding post positioned to provide a convenient connection to chassis ground.
11	Current Output Terminals (Rear)	A pair of banana-jack terminals used as rear-panel current output connections. The terminals are inactive when the front-panel CURRENT OUTPUT terminals are selected.

2-17. OPERATING NOTES

2-18. The following paragraphs describe the various conditions which should be considered before operating the 5220A.

2-19. AC Line Connection

2-20. The rear-panel, three-prong, U-ground connector permits the 5220A to be connected, through a power cord, to 50 or 60 Hz line power. The offset prong on this connector is connected to the 5220A chassis and should be connected, via the power cord, to a high-quality earth ground.

2-21. Transconductance Amplifier

2-22. A transconductance amplifier is a current source whose output current level is proportional to an analog input voltage. Electrically, the output of the unit appears as a constant current source with an output impedance that is much greater than the load resistance. Similarly, its input impedance is much greater than that of the input voltage source.

2-23. The input/output ratio of the 5220A is 1:1, and the output current range is +20 to -20 amperes. Therefore, the range of the input control voltage is +20 to -20V dc. The compliance voltage of the 5220A is 3V rms ac or $\pm 4V$ dc.

2-24. Input Voltage Requirements

2-25. Input control voltage for the 5220A can be supplied by any low-impedance voltage source with an output proportional to the desired output current. The source may be either ac (30 Hz to 1 kHz) or dc, fixed or adjustable, depending upon the output requirements.

2-26. The control voltage source may be connected to either the front-panel VOLTAGE INPUT terminals or the rear-panel voltage input terminals (Pins 5 (low) and 6 (high) of the 24-pin connector), but not both simultaneously. Instrument damage will not result from the simultaneous connection of two sources. However, interaction between the two inputs can result in source loading, which in turn can cause inaccuracy in the expected current output level.

2-27. If a rear panel input is desirable, the use of the 5100 Series Calibrator and a Y5000 Interface is recommended. This combination allows the 5220A to be operated remotely as an extension of the 5100. If the use of an alternate rear-input source is desirable, the user is responsible for the proper interface. Details for custom interface requirements can be derived from the theory of operation (Section 3) and the detailed schematics (Section 8).

2-28. Input Voltage Selection, Front/Rear

2-29. Selection of the front or rear terminals for control voltage input is manually accomplished by pressing the INPUT pushbutton switch on the front panel. Each depression alternately selects front or rear as indicated by the lit FRONT/REAR LED indicator. This switch is active in the local mode, and inactive in the remote mode.

2-30. Current Output, Front/Rear

2-31. The 5220A current output can be taken from either a front- or rear-panel set of five-way binding post terminals, but not both simultaneously. An internal jumper configuration allows qualified personnel to establish the desired output. A detailed output selection procedure is given in Section 4, Maintenance.

2-32. Standby/Operate

2-33. When the 5220A is energized it can be placed into one-of-two operating modes; standby or operate. The enabled mode is indicated by a lit front panel LED; OPR (operate) or STDBY (standby). Standby is essentially a reset state, in which the output of the transconductance amplifier is forced to zero regardless of the input control voltage level. In the standby mode both the amplifier and the device connected to its output are protected from accidental overloads. The operate mode is enabled when an output is required. It causes the amplifier to respond to the control voltage input, and thereby provides the appropriate current level output.

2-34. A front panel pushbutton switch (located between the OPR/STDBY LEDs) allows manual selection of either mode when the LOCAL LOCKOUT LED is not lit. However, the selection can be counteracted under certain conditions. For example, either mode may be remotely selected, and the detection of an output overload will command the standby mode. Similarly, when the unit is initially energized it is forced to standby.

2-35. Local/Remote

2-36. The 5220A can be operated manually using the front panel controls, or remotely by way of the rear panel connector. When the unit is initially energized, it is forced to the local control mode (REMOTE LED is not lit). The remote mode can only be selected by way of a remote control source. When remote is enabled (REMOTE LED is lit) the local mode can be recalled by a remote command or by pressing the LOCAL pushbutton switch on the front panel. However, if the LOCAL LOCKOUT is lit (this is also a remote command) the local mode can only be recalled by a remote command.

2-37. Status Indicators

2-38. A series of three front-panel STATUS LEDs provide a visual indication of overload conditions that have been detected at the 5220A output. They are: THERMAL CUTOFF, OVERCOMPLIANCE, and OVERCURRENT. When any one of these conditions is detected the appropriate LED is lit and the unit is commanded to standby. The LED will remain lit even after the overload condition has been relieved. To return the unit to the operate mode the overload must be cleared and the operate mode must be commanded. If operate is commanded while the overload is still present, the unit will remain in standby.

2-39. A thermal cutoff indication identifies overheating of the current output stage. If the heating is excessive a cooling-down period may be required before the condition is cleared.

2-40. The presence of an open-circuit or a high impedance load at the output terminals will cause an overcompliance indication. In this case, an appropriate load will have to be connected to the output before the condition can be cleared. Overcompliance is detected as an output voltage outside the range of $\pm 4V$ dc or 3V rms ac.

2-41. Output current in excess of 20 amperes will cause an overcurrent indication. To correct the condition, the input control voltage must be reduced to an acceptable level.

2-42. Audible Output

2-43. When the 5220A is used to output high current at high frequencies (above 10 amperes and 1 kHz) it may emit an audible tone. The sound is normal and is characteristic of power transistors that are operated at high current density. Several factors will cause the sound to be more or less apparent. They include background noise, location of the 5220A relative to the operator, and operator's hearing ability.

2-44. Inductive Loads

2-45. The 5220A will drive an inductive load of up to 200 microhenries. However, reasonable care must be exercised to ensure the desired results. One or more of the following considerations may apply to a given application:

1. Compliance voltage (3.0V maximum) places a restriction on the product of inductance and operating frequency for a given output current. This is illustrated in Figure 2-2 for maximum load inductance vs frequency at output currents of 5, 10, and 20 amperes.
2. A step change in output current into an inductive load can easily produce an overcompliance condition. If the control voltage is being input at the front panel terminals, the rate of change must be controlled to avoid an overcompliance trip. An alternate approach is to set the 5220A to standby before making a change in the control voltage, then select the operate mode. This allows the 5220A to internally control the rate of change. If the control voltage is taken from a Fluke Model 5100 Series Calibrator, the calibrator will limit its output to an acceptable rate of change.
3. The leads used to connect a load to the 5220A can add appreciably to load inductance. For example, a pair of 5 foot leads (10 feet of wire) made of 18 gauge wire (AWG) will have a calculated inductance of 3.86 microhenries. This is enough to cause an overcompliance trip if a step change in the input control voltage occurs.

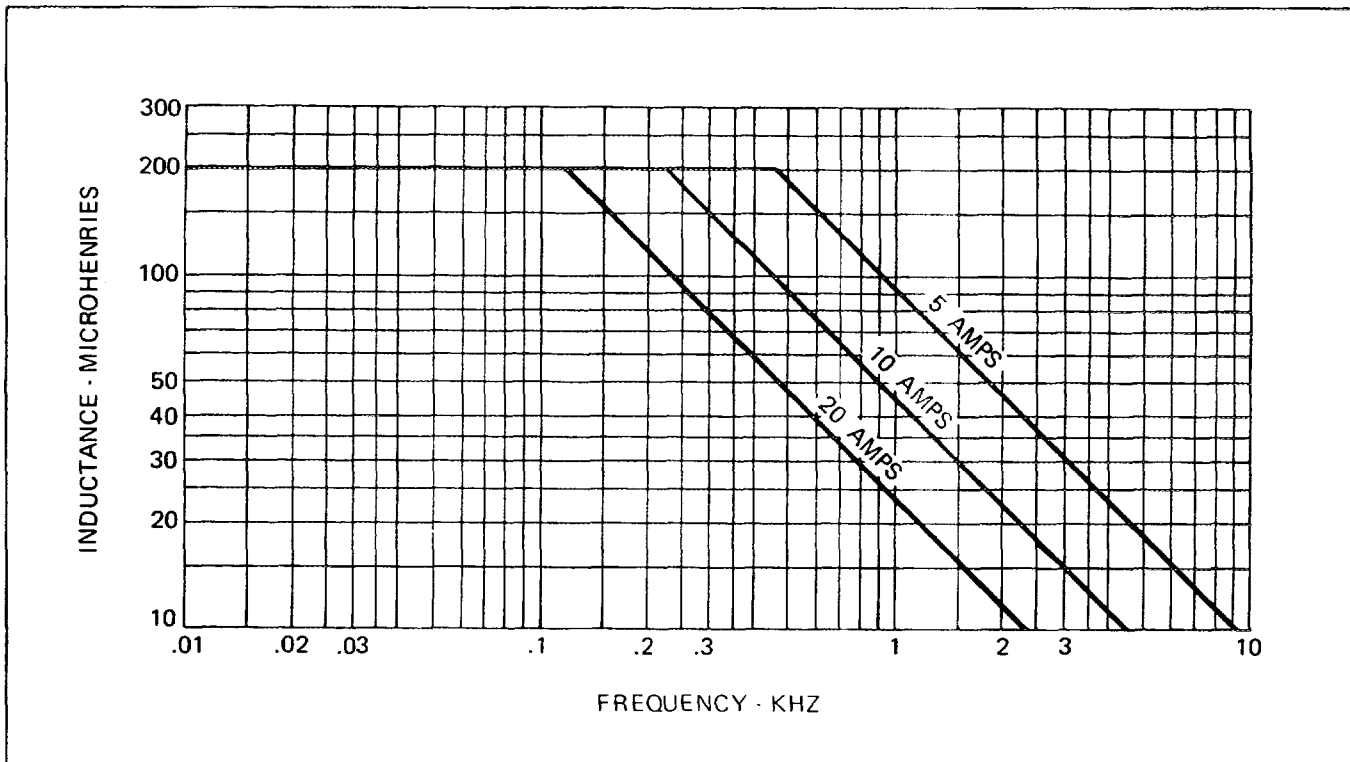


Figure 2-2. Maximum Load Inductance vs Frequency

4. When driving an ac current through an inductive load the 5220A will exhibit increased distortion and transconductance error. This is due to a reduction in loop gain caused by the inductance. The graph in Figure 2-3 illustrates the typical transconductance error, as a function of frequency, for two different inductive load values.

2-46. OPERATION

2-47. The following procedure is suggested for operating the 5220A. With reference to the previous paragraphs proceed as follows:

1. Connect the 5220A to the 5100 Series Calibrator via the Y5000 Interface if remote operation is desired. See the 5100B/Y5000 Instruction Manuals for details.
2. Connect the 5220A to line power.
3. Turn-on the 5220A by depressing the POWER switch to the ON position. Only the STDBY and FRONT indicators should be lit.
4. Energize peripheral equipment as required.
5. If local operation is required, connect the control voltage source to the front-panel VOLTAGE INPUT terminals.
6. Adjust the output of the control voltage source (remote or local) to approximately 1 volt.
7. Determine the active output terminals (front or rear) by connecting a short jumper wire between the front-panel CURRENT OUTPUT terminals and then pressing the OPR/STDBY switch. If the OVERCOMPLIANCE LED lights, the rear output terminals are active. Otherwise, the OPR LED will light indicating that the front CURRENT OUTPUT terminals are active.
8. Press the STDBY switch and then remove the short from the front output terminals.
9. Connect the intended load between the active output terminals.
10. Adjust the control voltage to the desired level.
11. Command the operate mode. If the OPR LED is lit, the predetermined current level is flowing through the load.
12. Set the unit to standby before disconnecting the load or setting the POWER switch to OFF.

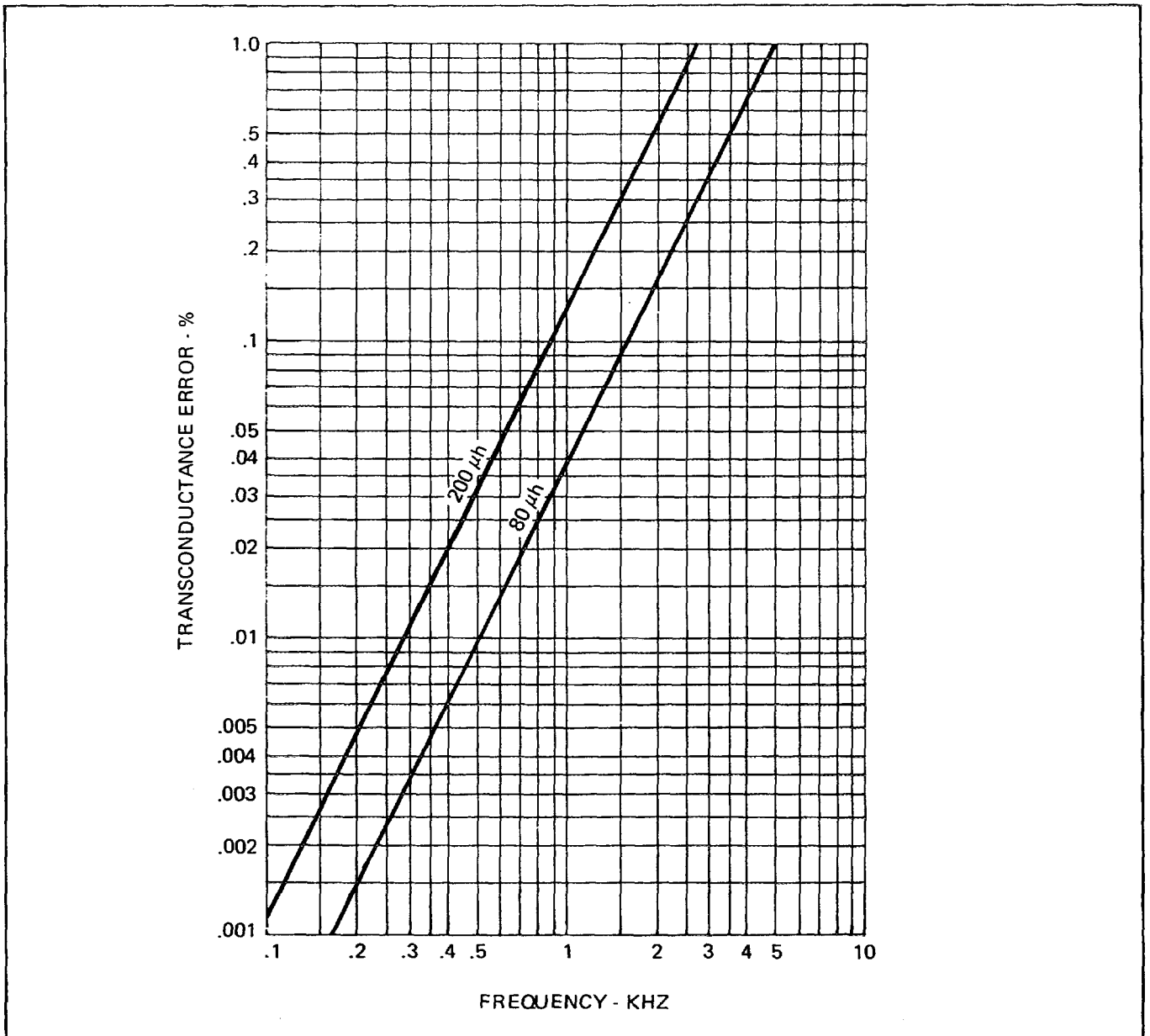


Figure 2-3. Typical Transconductance Error for Inductive Loads

1
2
3
4
5
6
7
8
9
10
11
12
13
14
15
16
17
18
19
20
21
22
23
24
25
26
27
28
29
30
31
32
33
34
35
36
37
38
39
40
41
42
43
44
45
46
47
48
49
50
51
52
53
54
55
56
57
58
59
60
61
62
63
64
65
66
67
68
69
70
71
72
73
74
75
76
77
78
79
80
81
82
83
84
85
86
87
88
89
90
91
92
93
94
95
96
97
98
99
100

Section 3

Theory of Operation

3-1. INTRODUCTION

3-2. This section of the manual contains an overall functional description followed by a detailed circuit analysis of the 5220A. Both descriptions are supported by block diagrams. Component level descriptions contained in the circuit analysis are referenced to the detailed schematics in Section 8 of this manual.

3-3. OVERALL FUNCTIONAL DESCRIPTION

3-4. General

3-5. The 5220A is a transconductance amplifier. That is, a current source whose output current is proportional to an analog input voltage. Electrically viewed at the output terminals, the 5220A appears as a current source with an output impedance that is very much greater than the load resistance. Its input terminals exhibit a similar characteristic; the input impedance is larger than that of the input voltage source.

3-6. Functionally, the 5220A, as shown in Figure 3-1, can be divided into two sections, analog and digital. The analog section consists of the power supplies, the transconductance amplifier, and associated analog control circuitry. The digital section comprises the logic necessary for overall control, and the interfaces necessary for front panel (local) operation and remote operation by way of the Fluke MIS Bus.

3-7. Analog Section

3-8. The power supply used in the 5220A provides operating voltages for both the analog and the digital section of the unit. It consists of three separate assemblies: the A2 Transformer Assembly, the A3 Cap Bus, and the A4 Regulator. The Cap Bus and Regulator Assemblies comprise the output portion of the supply, while the Transformer Assembly provides isolated ac power for the

power supplies. Regulated supply voltages are a function of the A4 Regulator. These include, +5V dc and +5V dc Isolated for the digital circuits, and +15/-15V dc for analog circuit operation. Unregulated voltages are a function of the A3 Cap Bus. The Cap Bus is a high-current, +12/-12V dc source for the 5220A current output.

3-9. The transconductance amplifier is a three-stage, closed-loop amplifier whose feedback signal is proportional to the 5220A output (load) current. It consists of the A5 Preamp, the A6 Driver, the A7 Output, and a precision four-terminal shunt. Input voltage to the amplifier is presented, by way of front or rear input terminals, to the A5 Preamp. This assembly includes relays for front/rear input selection, precision feedback resistors to establish overall loop gain, and a high-gain amplifier equipped with on/off control for power-on/off sequencing and failure control. The output of the A5 Preamp is input directly to the A6 Driver where it is buffered and passed on as a differential input to the high-current A7 Output stage. Output current from this stage is returned through the output load and a precision current shunt to power supply common (COM 2) of the A3 Cap Bus (high-current supply). The voltage drop that occurs across the shunt is sent to the A5 Preamp as a feedback signal, thus closing the loop.

3-10. Overall operation of the transconductance amplifier is illustrated in Figure 3-2. When an input voltage, E_{IN} , is applied to the amplifier an output current, I_{OUT} , is produced. The current passes through the series connected load and the precision shunt, R_S . Current passing through the shunt produces a voltage (IR) drop, E_{OUT} , whose polarity (with respect to COM 1) is opposite that of the input voltage. This voltage is returned to the amplifier as negative feedback through resistor R_2 . The values of R_1 , R_2 , and R_S established the 1:1 ratio of input voltage to output current. See equations in Figure 3-2.

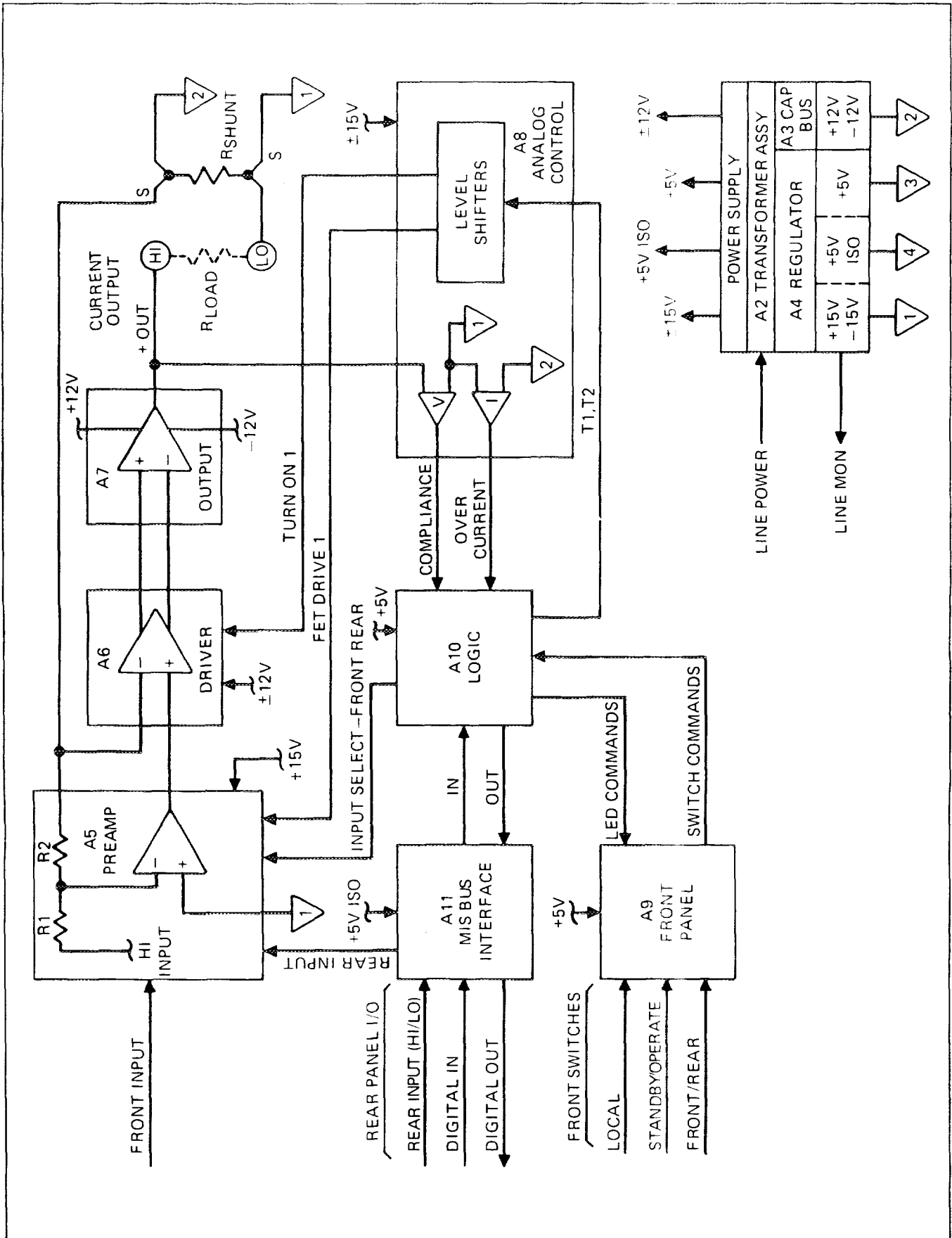


Figure 3-1. 5220A Functional Block Diagram

3-11. The analog control circuit constantly monitors the voltage and current outputs of the transconductance amplifier and provides overcompliance and overcurrent indications to the digital section of the 5220A. When an overload condition occurs, the digital section responds by sending shut-down signals to the amplifier by way of the analog control logic. Control sequencing signals (T1, T2) for amplifier turn-on are also processed by the analog control circuit.

3-12. Digital Section

3-13. The logic portion of the 5220A controls the sequencing of input relays (front/rear) and other control signals which turn the transconductance amplifier on and off. It also provides drive commands to light appropriate front panel status LEDs. Inputs to the logic are in the form of local/remote control commands from the front panel switches or the remote MIS Bus Interface, and overload signals from the analog control circuit.

3-14. Local or front panel control of the 5220A is accomplished through a series of front panel pushbutton

switches which provide direct inputs to the logic circuit. Control and/or status responses to the commands are displayed on the front panel LEDs.

3-15. Remote control of the 5220A is enabled by the A11 MIS Bus Interface. The interface is intended for use with a 5100 Series Calibrator equipped with a Y5000 Interface. Control data (analog and digital) is received at the A11 MIS Bus Interface by way of a connector on the rear panel of the 5220A. In the remote mode, this data is processed by the interface and internally coupled with the analog and digital sections of the 5220A.

3-16. CIRCUIT ANALYSIS

3-17. A detailed circuit description of the 5220A is given in the following paragraphs. The description is keyed to the functional blocks defined in Figure 3-1. Each block is described separately and is supported by both a block diagram and a detailed schematic diagram (see Section 8 for schematics).

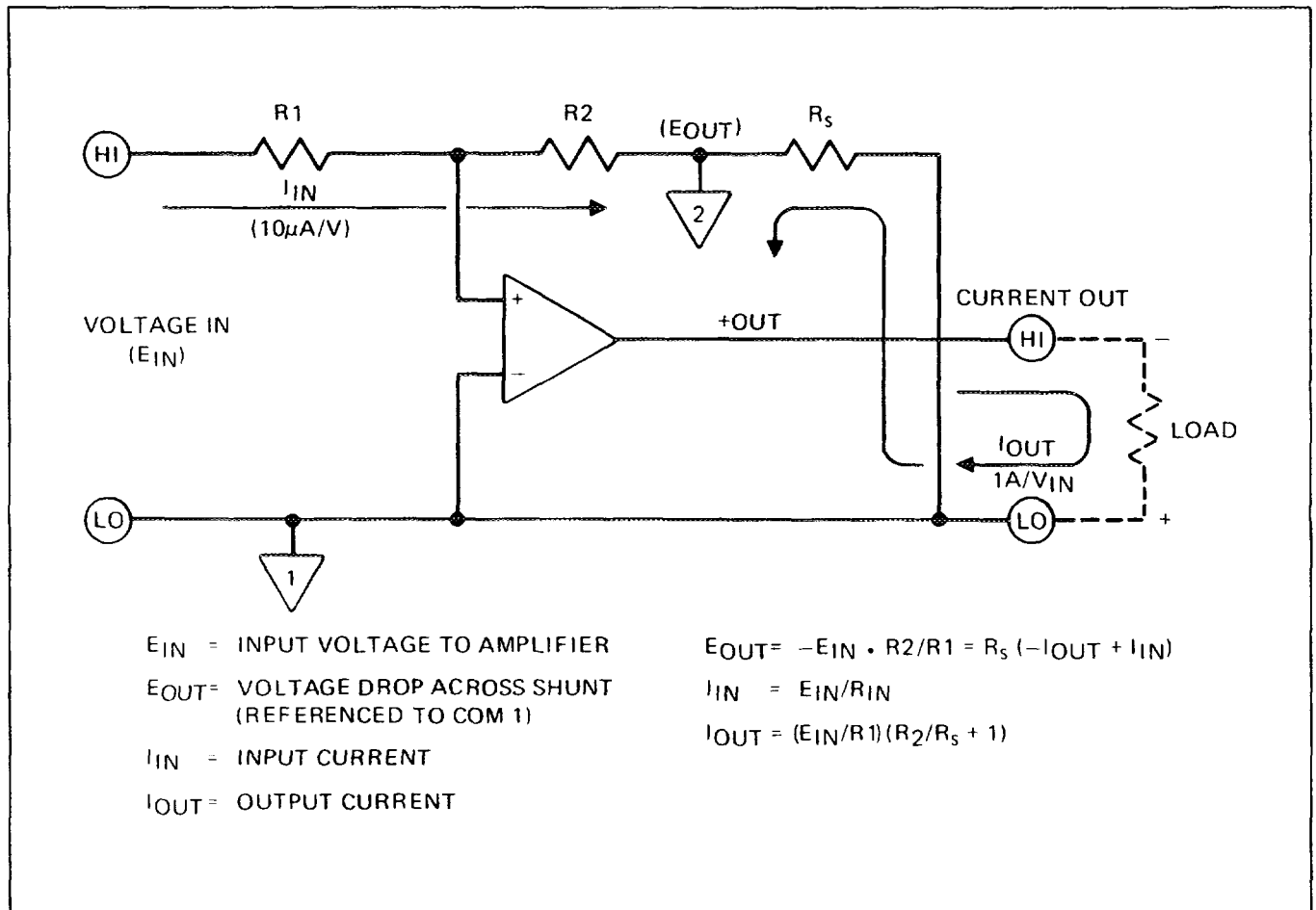


Figure 3-2. Transconductance Amplifier Simplified Circuit Diagram

3-18. Power Supply

3-19. The power supply, as shown in Figure 3-3, consists of the three major assemblies: A2 Transformer, A3 Cap Bus, and A4 Regulator. Its function is to transform line power into four sets of 5220A operating voltages. Each voltage set is isolated from the other, and three of the four are regulated. The three regulated voltage sets are: +15/-15V dc, +5V dc, and +5V ISO (isolated). The unregulated voltage set is +12/-12V dc.

3-20. The A2 Transformer Assembly consists of a series of three line-voltage selection switches, a power transformer, and appropriate secondary output fuses. Line power to the transformer passes through the front panel power switch (S4) and the line voltage selection switches before reaching the two primary windings. The setting of the line voltage switches (S1) connects the primary windings in either a parallel or a series configuration. Parallel connection is required for 115V ac operation and the series connection is used for 230V ac operation and the series connection is used for 230V ac. Switches S2 and S3 allow selection of alternate primary winding tapes. They allow operation from 100, 110, 115, or 120V ac line voltages in the parallel configuration, or from 200, 220, 230, or 240V ac in the series configuration. The 115V ac ventilation fan is permanently connected to one of the primary windings, thus ensuring proper operation in either voltage configuration. Fuse protection for the power line is provided by an external fuse (F1) mounted on the rear panel. Supply overload protection

for the regulated supplies is provided by secondary-winding fuses F4, F5, F6, and F7 located on the A2 Transformer Assembly.

3-21. The A3 Cap Bus is a high-current, unregulated, +12/-12V dc power supply designed to provide operating power to the output amplifier. It consists of two fuses, a full-wave rectifier, two bleeder resistors, and a bank of filter capacitors. Operating voltage is derived from a high-current center-tapped secondary winding of T1. It enters the A3 Cap Bus through overload fuses F2 and F3, and is full-wave rectified by diodes CR1 through CR4 to establish both positive and negative supply voltages. Filter capacitors, C1 through C8, filter the supply outputs. Bleeder resistors, R2 and R3, discharge the filter capacitors when line power is turned off.

3-22. The A4 Regulator is designed to convert the ac outputs from the three remaining secondary windings of T1 into three sets of isolated and regulated voltages: +5V dc, +15/-15V dc, and +5V dc ISO (isolated). Each voltage is produced using conventional regulating techniques. That is, it is rectified, filtered, regulated by a three-terminal regulator, and filtered again before being output. A fifth voltage, Line Mon (monitor), is also produced on the A4 Regulator. It is derived from the T1 windings used for the +15/-15V dc supply and is used to convey the line power status of the 5220A to the A10 Logic. The voltage is rectified by diodes CR8 and CR9, and clipped by zener VR1 before being output.

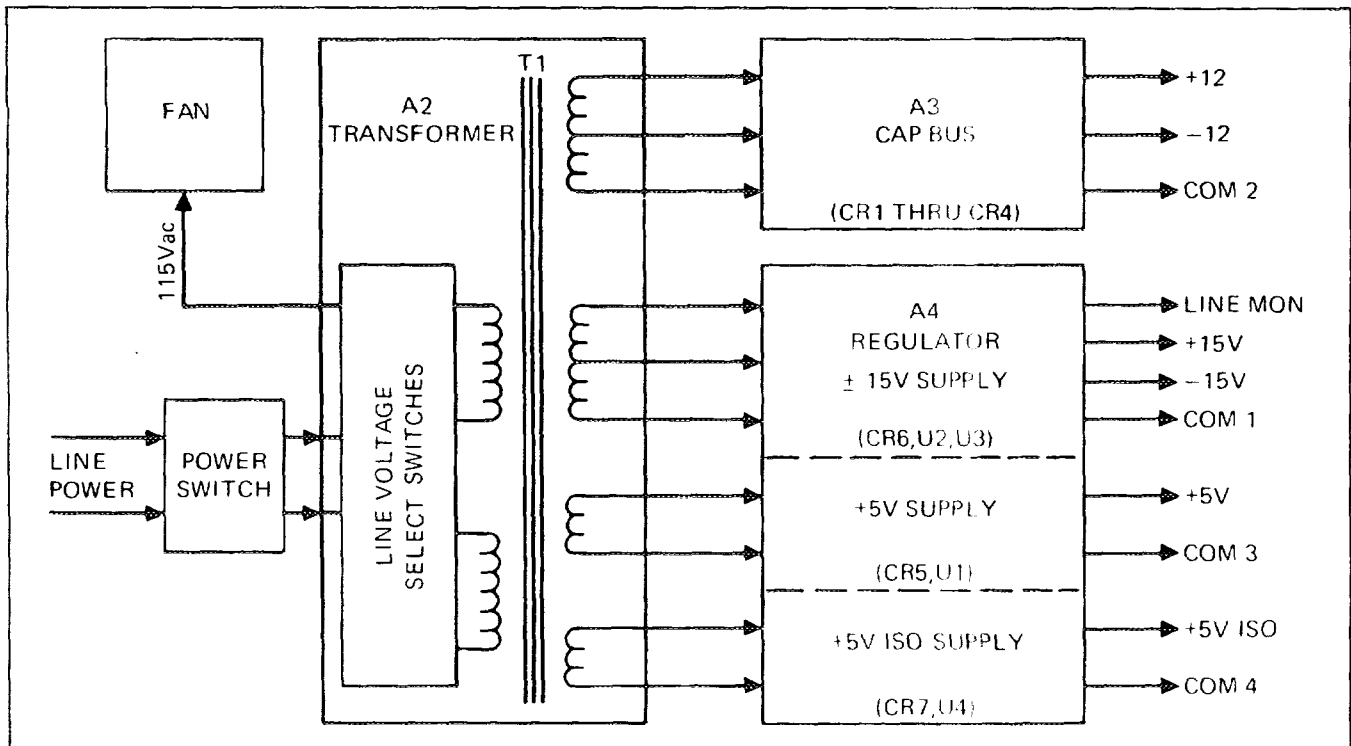


Figure 3-3. Power Supply Functional Block Diagram

3-23. A5 Preamplifier

3-24. The A5 Preamplifier, as shown in Figure 3-4, is a high-gain amplifier designed to accept a front/rear panel input signal and provide an amplified output to the A6 Driver stage of the transconductance amplifier. It consists of a high-gain differential amplifier with feedback resistors, front/rear input select relays, and turn-on/off control circuitry.

3-25. In operation, the input voltage source (front or rear), as selected by the A10 Logic, is connected through reed relay K1 (front) or K2 (rear) and input resistors R1, R3, and R13 to the inverting input of a differential transistor pair, Q2. The non-inverting input of Q2 is connected to COM 1 through parallel resistors R9 and R14. The resistance value approximates the value of R1 and R2 in parallel and, thereby balances the source impedance at the amplifier inputs. Balance is required to minimize apparent input offset voltage that may result from input currents. Diode CR3 and diode connected transistor Q3 are voltage clamps that prevent amplifier saturation on high input transients. The collectors of Q2A and Q2B drive the emitters of a pair of grounded base amplifiers formed by transistor array, U1. This holds the collectors of Q2 at a low and equal level to maintain low and equal collector-to-base leakage currents (ICER) at Q2. The actual collector voltage of Q2 is set by the temperature corrected divider formed by R4, R19, and the diode connected transistor U1C. Voltage variations at the collectors of U1A and U1B constitute the output of the differential amplifier, and are used as the input to op-

amp. U2. Diodes CR4 and CR5 clamp the inputs to prevent U2 saturation when transient voltages appear. An ac feedback network, R15 and C7, fix the frequency response of the preamplifier to satisfy the overall transconductance amplifier loop. Amplifier zero is established by the selected values of collector resistors R11 and R12, and the setting of the zero-adjust potentiometer, R6.

3-26. The turn-on/off control FET (Q1) operates as FET switch to control the overall gain of the A5 Preamplifier in both the standby and operate modes. Q1 responds to the FET Drive 1 signal initiated (as T2) on the A10 Logic.

3-27. In the standby mode FET Drive 1 is near zero volts causing Q1 to turn on. FET Q1 completes the feedback loop between the output of U2 and the inverting input of Q2. This in effect reduces the gain of the A5 Preamplifier to zero. As a result, the output of the transconductance amplifier is forced to zero amperes. Photoresistor U3 is used to control the rate at which the input voltage is applied to the A5 Preamplifier when the 5220A is switched from standby to operate. This is necessary to prevent a step output which, if applied to an inductive load, would result in an overvoltage transient, forcing the 5220A back to standby. In standby both input select relays, K1 and K2, are open, capacitors, C3 and C12, are discharged, and the photoresistor U3 is a very high impedance with the LED drive removed. Thus, the A5 Preamplifier is effectively isolated from the input voltage.

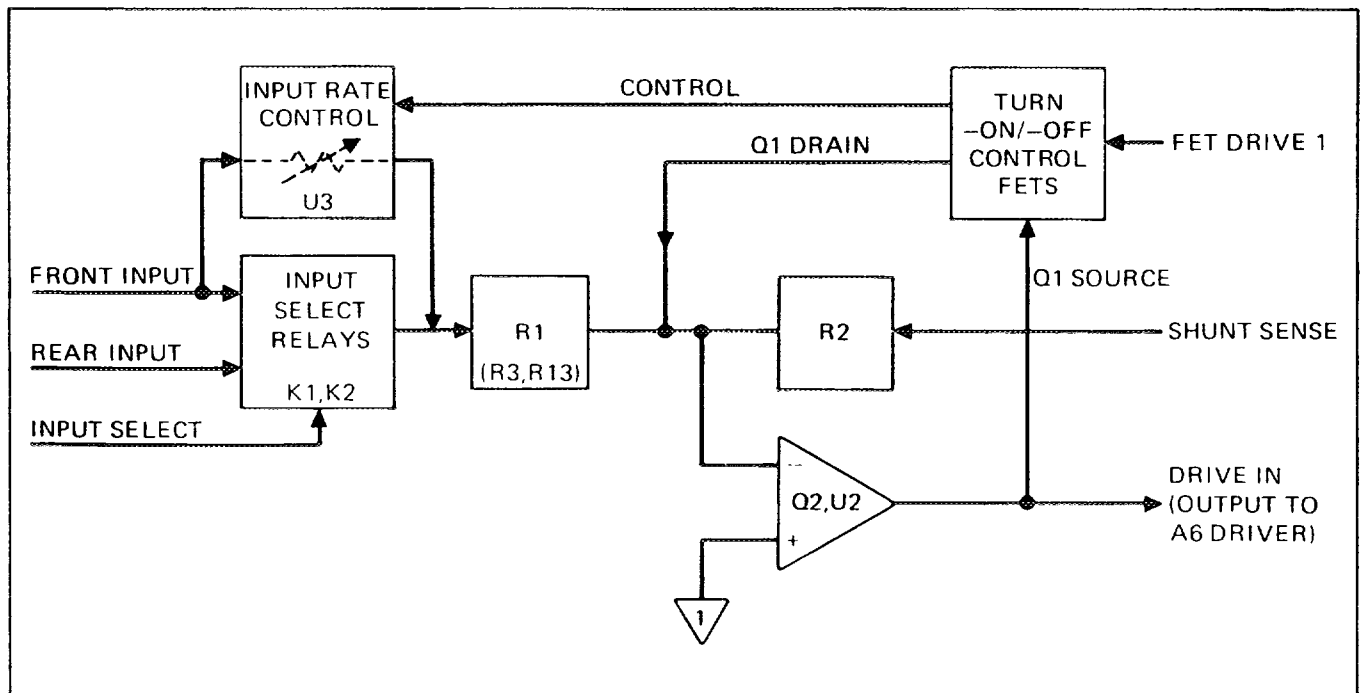


Figure 3-4. A5 Preamplifier Functional Block Diagram

3-28. In the operate mode FET Drive 1 is stepped to 15V dc causing FET Q1 to turn off. With Q1 off, the A5 Preamplifier returns to its high gain state with feedback established by resistors R1 and R2. If front input is selected, the Relay 1 drive signal is low and capacitor C12 begins charging. The increasing voltage across C12 increases the LED output from U3 which, in turn, decreases the impedance of the photoresistor. Since the resistor is in parallel with the input contacts of the still open front-input relay K1, it acts as a variable input attenuator. In other words, the front input voltage is applied to the input of the A5 Preamplifier at a controlled rate and not as a step input. At the same time, a low Relay 1 drive signal is inverted by U4 causing C3 to charge through R24. When the charge reaches the threshold of the second inverter (U4) relay K1 is energized by a set of four parallel connected inverters. The charge time for C3 and C12 are designed to ensure that K1 closes after photoresistor U3 changes to a low impedance. When K1 closes, it places a short across the resistor in U3 and selects the front panel input voltage to drive the A5 Preamplifier. If the rear panel input signal is selected, a variable attenuator is not necessary because the signal from the remote 5100 rises at a controlled rate when switched from standby to operate.

3-29. A6 Driver

3-30. The A6 Driver, as shown in Figure 3-5, is a differential amplifier designed to accept its input from the A5 Preamplifier and to provide a differential drive signal to the A7 Output stage. The amplifier itself is of a discrete-component, complementary, push-pull design. Its features include: temperature compensated biasing for both itself and the A7 Output stage, an amplifier-disable circuit for standby operation, an an output-leakage current sink for standby operation.

3-31. The input section of the driver amplifier consists of a differential transistor pair, Q2 and Q3; a current regulator, Q4; and a common base driver, Q1, for the bias circuit. Transistor Q3 of the input pair receives the drive input from the A5 Preamplifier. The other input transistor, Q2, is driven by Shunt Sense 2, which provides negative feedback from the output current shunt to reduce distortion in the A7 Output stage. Current regulator Q4 regulates the emitter current of the differential pair, and provides isolation from variations in the -12V supply. Output from the differential pair is taken at the collector of Q3 by way of a common-base driver, Q1.

3-32. The bias section of the driver amplifier consists of resistors, R13 through R17, current regulator, CR1, and transistors, Q5 and Q107 (Q107 is physically located on the output amplifier's heat sink). Resistors R13 through R17 and current regulator CR1 form a series string which is driven by the output driver Q1 of the input amplifier. Regulator CR1 is at the end of the string and connected to -12V dc. This ensures a constant current of approximately 5.2 mA through the string. Transistors Q5 and Q107 are connected across resistors R14, R15 and R16, R17 as VBE multipliers to ensure that the voltage drop across the resistor string changes at a rate which will compensate for VBE temperature changes in the A6 Driver and A7 Output stages. Transistor Q5 senses ambient temperature changes while Q107 senses temperature changes due to power dissipation in the A7 Output. The temperature compensated voltage drop developed across the resistor string is used as a voltage source to set the quiescent bias for the remaining stages of the complementary A6 Driver and A7 Output. Variable resistor R13 is used to set the initial bias voltage.

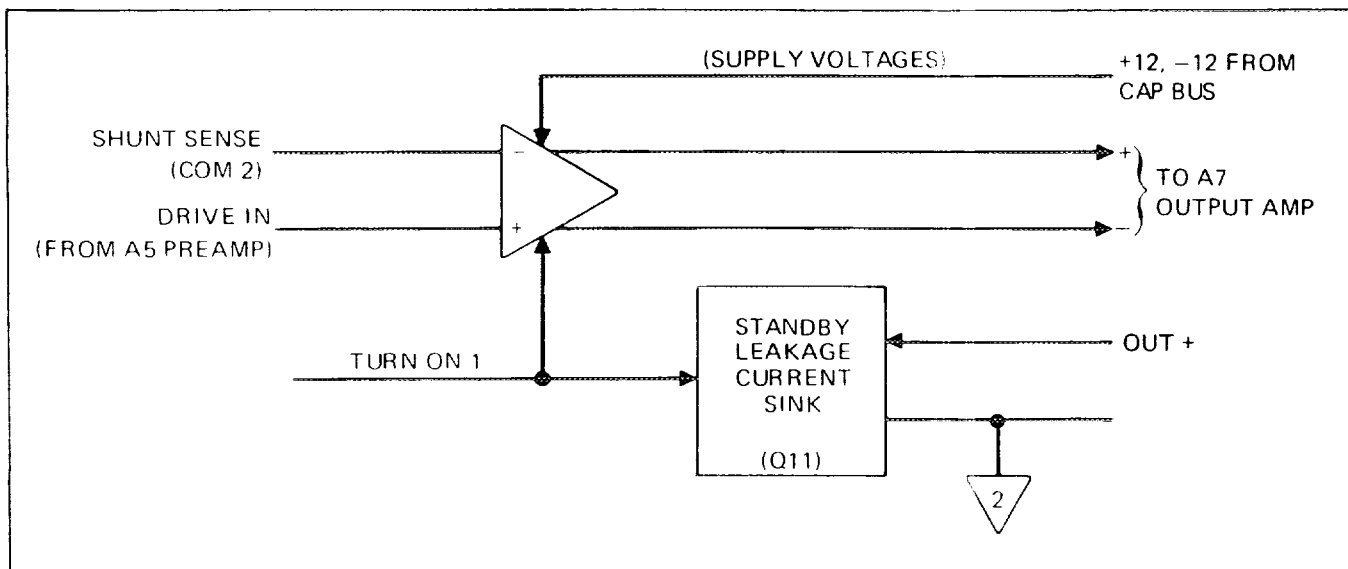


Figure 3-5. A6 Driver Functional Block Diagram

3-36. A7 Output

3-37. The A7 Output is a discrete-component, complementary-output, high-current amplifier which serves as the final output stage of the transconductance amplifier. See Figure 3-6. It consists of a pair of driver transistors, Q101 and Q102; two parallel pair(s) of output transistors, Q103, Q104 and Q105, Q106; a thermal sensing transistor, Q107; and a thermal overload switch S101. The differential output from the A6 Driver is applied to the bases of Q101 and Q102. These transistors are configured as emitter followers and provide the high current drive required by the output transistors. Collector resistors, R114 and R115, for Q101 and Q102 provide current limit protection under transient or fault conditions. Emitter resistors in the parallel output pairs prevent current hogging which would otherwise occur due to unequal VBE characteristics.

3-38. All transistors in the A7 Output, as well as the thermostatic switch, S101, are physically mounted on a common heat sink. The temperature of the heat sink is sensed by Q107 (part of the A6 Driver's bias network) and returned to the A6 Driver to provide bias compensation for the change in VBE with output-transistor temperature. (See A6 Driver description given earlier in this section of the manual.) Thermostatic switch S101 senses the temperature of the heat sink and provides an open contact output when an over-temperature condition is detected. The open output is sent to the A10 Logic which reacts by switching the 5220A to standby (over temperature may result from a loss or restriction of cooling airflow).

3-33. The characteristics of the VBE multipliers used in the bias section are stated in terms of Q5 in the following formulas:

$$V_{BE} = [R14/R14 + R15] V_{CE}$$

$$V_{CE} = V_{BE} [R14 + R15/R14]$$

3-34. The output section of the A6 Driver consists of transistors Q8, Q9, Q10, Q12, and associated components. Transistors Q8 and Q9 are arranged as complementary emitter followers which are both biased and driven by the bias section. This is followed by a common collector stage using Q10 and Q12. Overcurrent protection is provided in the stage by the 10 ohms resistors, R30 and R31, in the collector circuits. The differential output at the emitters of Q10 and Q12 is used as the drive input to the A7 Output stage.

3-35. In the standby mode of operation it is necessary to reduce the 5220A output to a zero-volt/zero-current condition. This is accomplished on the A6 Driver by two separate FET circuits. FETs Q6 and Q7 comprise the voltage shut-down circuit, and FET Q11 is the output current-sink. Both are enabled by a Turn-on I signal which is initiated (as T1) by the A10 Logic when the 5220A is switched to standby. When Q6 and Q7 are enabled (turned on) they remove the bias from the output stage of the A6 Driver, and thereby disable the bias to the A7 Output stage. In this state the output is essentially floating and is influenced only by leakage current that may be present in the output drivers. FET Q11 remedies the floating condition by effectively clamping the output to output common (COM 2).

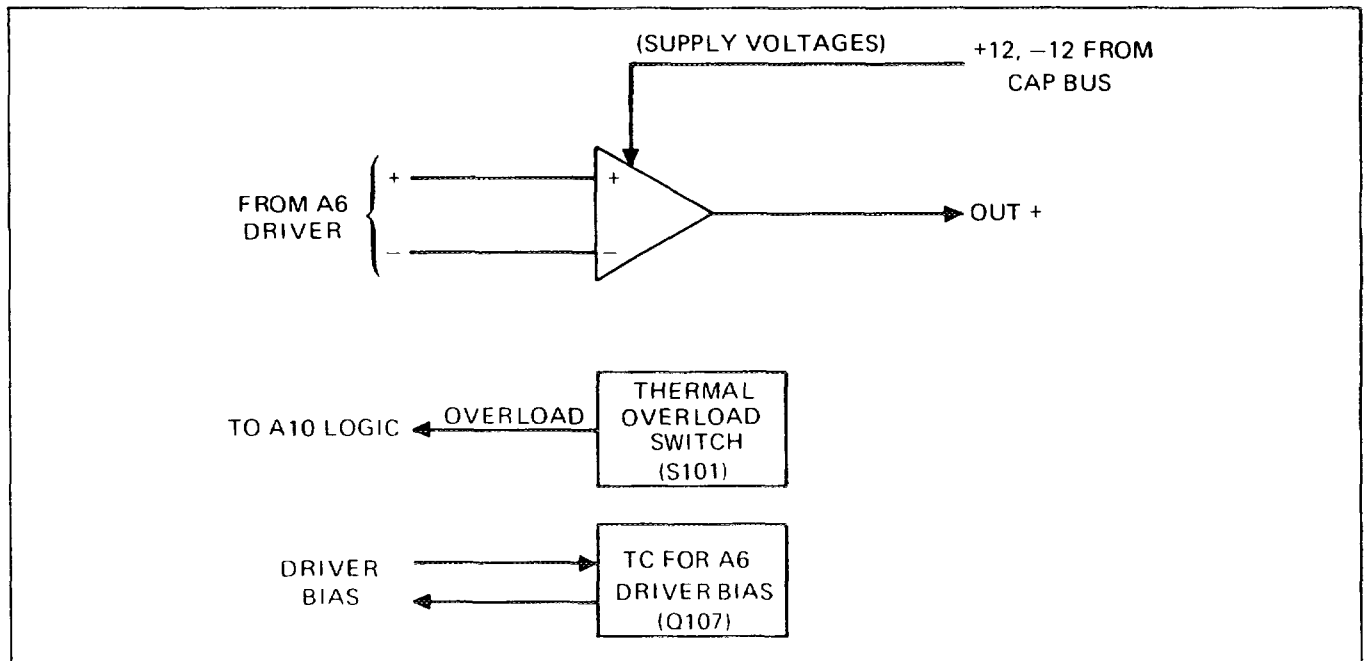


Figure 3-6. A7 Output Functional Block Diagram

3-39. A8 Analog Control

3-40. The A8 Analog Control Assembly, as shown in Figure 3-7, contains an overcompliance detector, an overcurrent detector, and two TTL-to-FET level shifters. The detection circuits are used to switch the 5220A to standby when an overcurrent or overcompliance condition occurs. The level shifters are driven by the A10 Logic to control the turn-on/off sequencing of the transconductance amplifier.

3-41. The detection circuits are absolute value level detectors that provide a TTL output indication of the transconductance amplifier's operating status; i.e., output voltage status and output current status. As long as both output voltage and current are within their specified operating range, both detectors will output a low logic level as a normal-operation status indication. However, if either or both the specified compliance voltage and/or the output current are exceeded, the appropriate detector will output a high logic level. Upon receipt of a high logic level from either detector the A10 Logic switches the 5220A to standby.

3-42. Each of the detectors is basically the same. They consist of an absolute value amplifier (full-wave rectifier), a level conditioner, a zener diode threshold detector, and a TTL buffered output stage. The absolute value amplifier is essentially a pair of operational amplifiers configured to provide an output voltage that is equal to the amplified positive absolute value of the input signal.

The input to the compliance detector is connected to sense the voltage present at the output terminals (+OUT and COM 1). Similarly, the input to the overcurrent detector is connected to sense the voltage drop across the current shunt (COM 2 and COM 1). The result, in both cases, is a negative output level that is equal to the absolute value of the input signal. This level is sent to a level conditioner where it is filtered/integrated, inverted, and amplified. An adjustable gain control in the level conditioner's feedback loop provides for accurate adjustment of the trip level.

3-43. The output of the level conditioner feeds a series connected zener resistor circuit with the resistor connected to logic common (COM 3). When the output of the level conditioner exceeds the zener voltage, the excess is dropped across the zener resistor. This voltage is monitored by a series-connected pair of inverters which respond to the voltage drop as if it were a logic level. That is, voltages from 0 to an approximate 2 volt threshold are considered a low logic level. A high logic level is approximately 2 to 4.5 volts.

3-44. The TTL-to-FET level shifters are used to interface turn on/off commands TTL logic levels, T1 and T2, from the A10 Logic with the standby/operate control FETs in the transconductance amplifier. Both level shifters are identical in design. The input is designed to respond to voltage levels from +0.01 to +5.0V dc. Corresponding output levels to drive the FET gates are 0 to -15V dc.

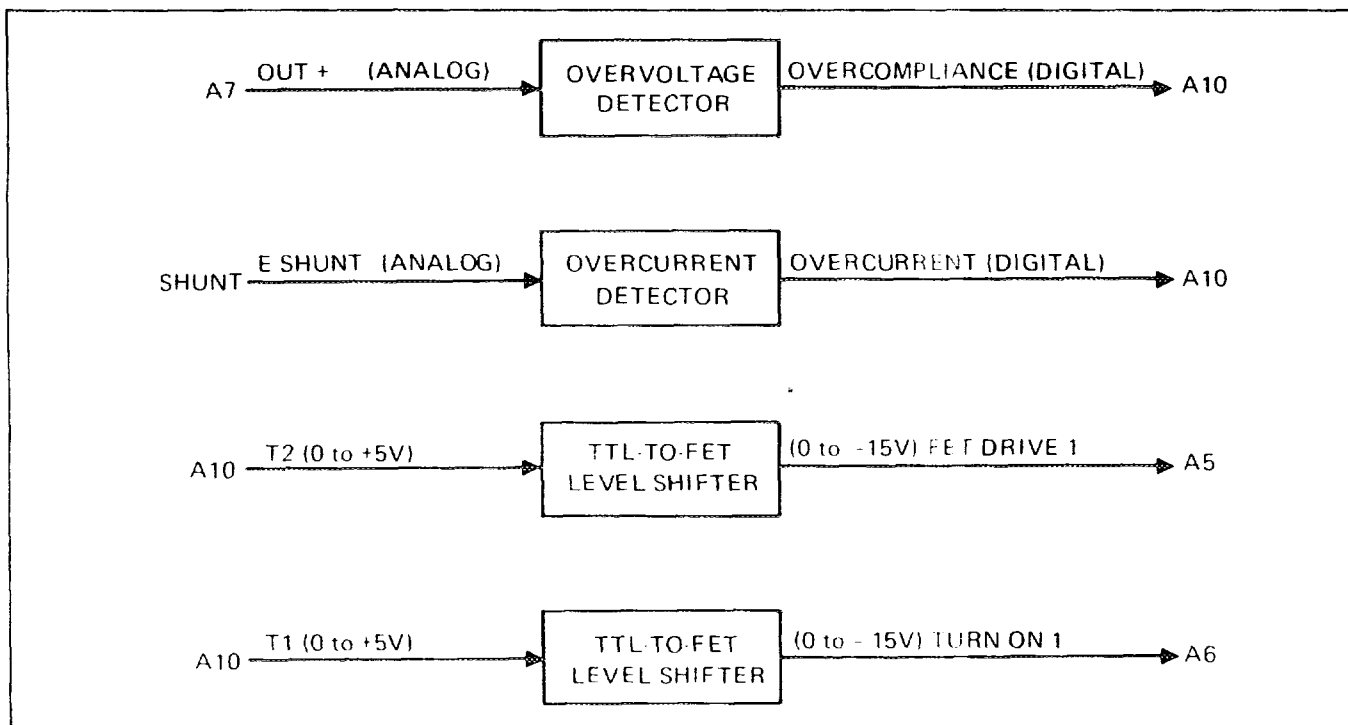


Figure 3-7. A8 Analog Control Simplified Block Diagram

3-45. A9 Front Panel

3-46. The A9 Front Panel Assembly contains the switches (with the exception of the power switch) and LEDs which comprise the 5220A controls and indicators. The switches are used to manually convey control information to the A10 Logic. This includes selection of: the local operating mode, standby/operate, and front/rear panel input. The LEDs display the current operating status of the 5220A as determined by the A10 Logic. Status conditions include: remote, local lockout (LLO), overcompliance, overcurrent, thermal cutout, front panel input, rear panel input, standby, and operate.

3-47. Electrically, the LEDs (anode end) and the switches (arm) are connected to a common +5V bus powered by the logic supply. A switch depression represents a +5V output to the A10 Logic. A series resistor connected to the anode end of each LED serves as a current limiter when the LED is lit. A low logic level from the A10 Logic lights the appropriate LEDs.

3-48. A10 Logic

3-49. The A10 Logic, as shown in Figure 3-8, is designed to process and control the timing and the input/output of all 5220A digital control data. Input data is received from the front panel controls, the A11 MIS Bus Interface, and the analog protection circuits of the transconductance amplifier. Output data provides timing and control signals to the amplifier (including its relays) and the front panel indicator LEDs.

3-50. RESET LOGIC

3-51. The reset logic consists of dual multivibrator U11, RC network R7/C2, OR gate U9-10, and inverter U3-10. Its function is to command the reset of the A10 Logic, and thus the 5220A, to an initial state when any one of the following events occur:

1. The 5220A is initially energized.
2. The +15/-15V dc power supply is interrupted.
3. Control is switched from remote to local.

3-52. When the 5220A is energized the +5V dc power supply rapidly rises to its +5 volts level to supply operating voltage to the A10 Logic Assembly. The voltage rise is integrated by RC network R7, C2. The slow rising voltage across C2 is used as a momentary low logic level to issue a reset command to all sections of the A10 Logic. Some sections are reset directly by the voltage across C2 while others are reset indirectly by the response of U11-10 to the voltage across C2.

3-53. Loss or interruption of the +15/-15V dc supply output causes the Line Mon(itor) input from the power supply to go low. Normally, the line monitor input is a clipped full-wave rectified 60 Hz waveform which is generated on the A4 Regulator Assembly. The negative-going edge is used as the trigger for monostable U11-7 which is timed to provide an output pulse of approximately 0.1 second. Since the output is longer than the time between triggers, it will remain active (Q low) as long as the Line Mon(itor) input is present. Under normal operating conditions the reset command is high at U9-10 and low at U3-10.

3-54. When the 5220A is switched from remote to local operation the local/remote logic triggers monostable U11-10 in the reset logic circuit. The result is a momentary positive-going pulse at the Ω output of U11-10. This in turn drives the complementary reset lines of U9-10 and U3-10.

3-55. The overall result of a reset command, regardless of how it is initiated, is to set the output commands of the A10 Logic to the states shown in Table 3-1. Essentially the unit is commanded to standby operation with front panel inputs selected. Remote and Local Lockout (LLO) commands are not affected by the reset command.

3-56. TIMING LOGIC

3-57. The timing logic controls the timing sequence used to switch the transconductance amplifier between the standby and operate modes. It consists of a bidirectional shift register U22, D-type flip-flops U17-1, and free running multivibrator U23. The multivibrator runs at a frequency of 100 Hz (10 ms period) and serves as the clock for both the flip-flop and the shift register. Flip-flop U17-1 responds to the reset command (reset input) and the standby/operate commands (D-input) to select the shift register's control mode; i.e., shift left or shift right. The shift register's four outputs are sequenced low in the shift-left mode and high in the shift-right mode. With all outputs low the transconductance amplifier is set to standby. The amplifier is operational when all outputs are high.

3-58. The shift-left mode is selected when flip-flop U17-1 drives the register's S0 input low and its S1 input high. (This occurs as the result of a standby or reset command.) In this mode, the register sequentially propagates the low input at U22-7 through the register causing its four outputs (QA, QB, QC, and QD) to be sequentially driven low. Since the register shifts at the rate of the 100 Hz clock, the outputs are sequenced at intervals of 10 ms. At the end of four clock pulses all four outputs are low (standby), and will remain low until the register is commanded to shift right.

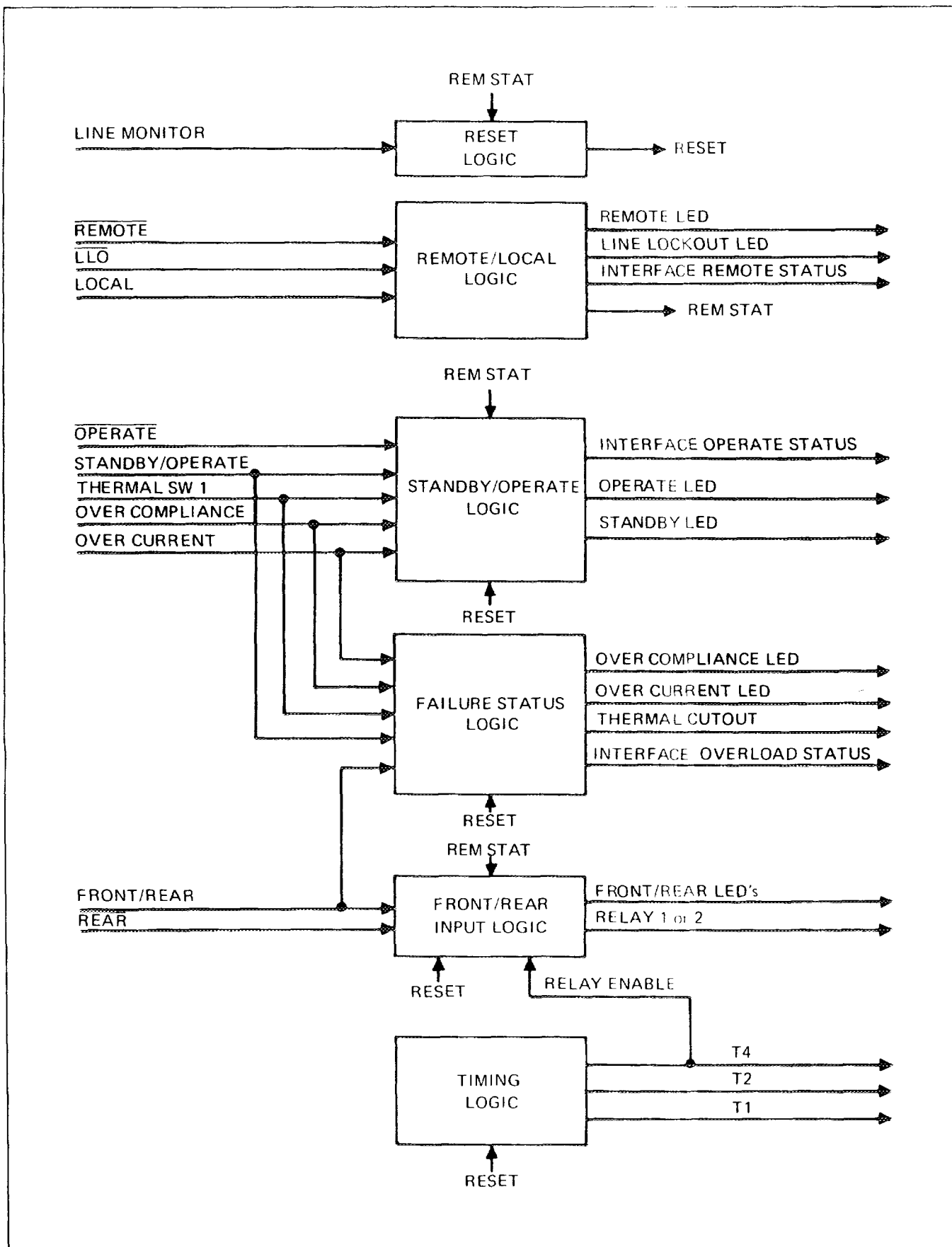


Figure 3-8. A10 Logic Simplified Block Diagram

Table 3-1. Effect of Reset Command on A10 Logic and A9 Front Panel

SIGNAL NAME	LOGIC STATE	FRONT PANEL LED STATUS
Interface Operate Status	Low	None
Operate LED	High	OPER LED off
Standby LED	Low	STDBY LED on
T1, T2, and T4	Low	None
Relay 1	High	None
Relay 2	High	None
Front Panel Input LED	Low	FRONT LED on
Rear Panel Input LED	High	FRONT LED off
Overcompliance LED	High	OVERCOMPLIANCE LED off
Overcurrent LED	High	OVERCURRENT LED off
Thermal Cutout LED	High	THERMAL CUTOFF LED off
Interface Overload Status	Low	None

3-59. The shift-right mode is selected when flip-flop U17-1 responds to an operate command (D-input low) and drives the register's S0 input high and the S1 input low. This results in the high input at U22-2 being sequentially propagated through the register and its four outputs (QD, QC, QB, and QA) being driven high (operate).

3-60. The outputs of the shift register are used as control signals to sequence the turn-on and turn-off of the transconductance amplifier. They are designated T1, T2, and T4 (T3 is not used) and their sequence is shown in Figure 3-9. The control function of each of the signals is as follows:

1. T1 turns the A6 Driver on and off.
2. T2 turns the A5 Preampifier on and off.
3. T4 enables/disables the selected front/rear input relay (K1 or K2) on the A5 Preampifier.

3-61. STANDBY/OPERATE LOGIC

3-62. The standby/operate logic consists of optical isolators U1 and U5, monostable U8-7, D-type flip-flop U10-9, and a series of supporting logic gates and buffers. Its function is twofold. One, it responds to reset and external inputs to command the state of the timing logic, shift left (standby mode), or shift right (operate). Two, it drives the front-panel STANDBY/OPERATE LEDs and provides the A11 MIS Bus Interface (remote interface) with an Interface Operate Status (Standby/Operate) signal. Flip-flop U10-9 is used to store the commanded mode (standby or operate) and to provide the necessary commands to the shift register (in the timing logic) and the LED/status drivers. Optical isolators U1 and U5 are used to electrically isolate remote control signals to and from the A11 MIS Bus Interface from the A10 Logic.

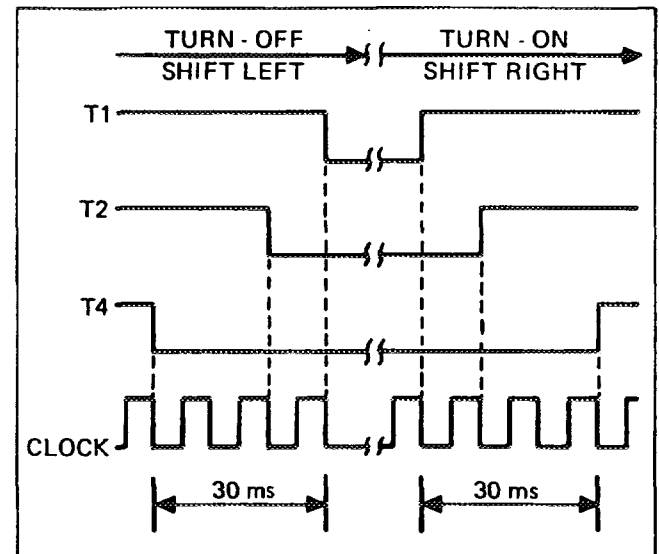


Figure 3-9. Timing Sequence

3-63. Standby/operate commands occur in the form of Reset, Standby/Operate, not Operate, Sw(itch) 1, Overcompliance, and Overcurrent. Reset is an onboard command from the reset logic. It sets the 5220A to standby by commanding U10-9 to the clear state (Ω low). Standby/Operate is received in the form of a +5V (high) input each time the front-panel STANDBY/OPERATE switch is pressed. If the 5220A is in the local control mode, each press of the switch will clock flip-flop U10-9 to its alternate state. The result is an alternate selection of either the standby or the operate mode, as indicated by the front-panel STANDBY and OPERATE LEDs. A similar command, Interface Operate Status (also derived from the state of U10-9), is issued to the A11 MIS Bus Interface; low indicates standby, high indicates operate. The not Operate signal is received from the A11 MIS Bus Interface and is effective only when the 5220A is in the

remote control mode. In the high state, the signal clears flip-flop U10-9 to invoke the standby mode. When not Operate goes low it presets flip-flop U10-9 (by way of U8-7) to invoke the operate mode. Overload signals received at the standby/operate logic include: Thermal Sw(itch) I, Overcompliance, and Overcurrent. When any one of these signals goes high, flip-flop U10-9 is cleared to the standby state.

3-64. LOCAL/REMOTE LOGIC

3-65. The local/remote logic consists of optical isolators U4 and U20-8, monostable U8-9, D-type flip-flop U7, and a series of supporting logic gates and buffers. Its function is to enable selection of the desired control mode (local or remote) and to provide the drive for the appropriate front panel and A11 MIS Bus Interface status indicators. These include: LLO (Local Lockout) LED, Remote LED, and Interface Remote Status. Flip-flop U7 is used to store the commanded mode (local or remote) and to provide the necessary commands to the onboard logic and the LED/status drivers. Optical isolators U4 and U20-8 electrically isolate remote control signals to and from the A11 MIS Bus Interface from the A10 Logic.

3-66. Local/remote commands are received in the form of Local, not Remote, and not LLO (Local Lockout). Local occurs as a momentary +5V (high) input each time the front panel LOCAL switch is pressed. If the 5220A is in the remote control mode and Local Lockout is not commanded (high) pressing the front panel LOCAL switch will initiate a 1 μ s pulse from monostable U8-9. This pulse clears flip-flop U7, which in turn, commands the A10 Logic to the local mode (Rem Stat low). As a result, the Remote LED and LLO LED signals are high, Interface Remote Status is low. However, if not LLO is low when the LOCAL switch is pressed, monostable U8-9 will be held in the reset state and flip-flop U7 will not be cleared. Thus, the A10 Logic is effectively locked into the remote mode until not LLO is returned high.

3-67. The not Remote signal is received from the A11 MIS Bus Interface and is used to remotely command the A10 Logic to the remote control mode. When the signal goes low it is coupled across optical isolator U4 to the clock input of D-type flip-flop U7. This sets the Q output of U7 high to select the remote control mode (Rem Stat high). As a result, the Remote LED signal goes low to light the REMOTE LED and the Interface Remote Status output goes high.

3-68. When the 5220A is commanded to the remote mode the front-panel STANDBY/OPERATE and FRONT/REAR switches are disabled and the corresponding remote inputs are enabled. Similarly, if LLO is remotely enabled, the LOCAL pushbutton is disabled.

3-69. FRONT/REAR INPUT LOGIC

3-70. The front/rear input logic is used to command the front/rear input relays on the A5 Preamplifier and to drive the appropriate FRONT/REAR LED on the front panel. When the A10 Logic is in the local mode, Front/Rear commands are received from the front panel pushbutton. Each switch depression is received as a +5V (high) level which is used to clock alternate states on D-type flip-flop U10-5. The FRONT LED and relay K1 are commanded when the Q output of U10-5 is low. When the A10 Logic is in the remote mode the not Rear input signal is used to command the front/rear input relays. Front input is selected when not Rear is high. Actual opening/closing of the relays is enabled at time T4 of the timing logic.

3-71. FAILURE STATUS LOGIC

3-72. The failure status logic consists of three D-type flip-flop (U16-1, U16-13, and U17-13) and their associated logic gates and drivers. Its function is to store failure conditions detected by other parts of the A10 Logic and to drive the front panel STATUS indicators. An optical isolator is also included for providing an Interface Overload Status signal to the A11 MIS Bus Interface. Front panel status indicators comprise three LEDs: OVERCOMPLIANCE, OVERCURRENT, and THERMAL CUTOFF. When any one of these LEDs is lit, Interface Overload Status is driven high.

3-73. The inputs to the D-type flip-flop are connected to respond to three commands: reset, clock, and set. The reset and clock inputs are used to set the Q outputs low, and thereby remove the drive from the front panel STATUS LEDs. The three reset inputs are connected in parallel and are commanded when the 5220A is initially energized and when it is remotely commanded from standby to operate. The clock inputs are also connected in parallel. They respond to a high input which transfers the low D-input to the Q output. The clock is driven high under the following conditions:

1. When the STDBY/OPR pushbutton is pressed.
2. When the FRONT/REAR pushbutton is pressed.
3. When an onboard reset is initiated.

3-74. The set-inputs to the flip-flops in the failure status logic are used to set the Q outputs high when a failure status is detected. This causes the corresponding STATUS LED to be lit and the Interface Overload Status signal to go high. Each flip-flop responds to one of the failure signals issued by the transconductance amplifier. They are:

1. Thermal Sw(itch) I
2. Overcompliance
3. Overcurrent

3-75. A11 MIS Bus Interface

3-76. The A11 MIS Bus Interface, as shown in Figure 3-10, is a remote control interface that allows the 5220A to operate as an extension of a 5100 Series Calibrator equipped with a Model Y5000 Interface. An accessory cable is available for use with the Y5000 to complete the necessary connections between the Y5000 and the A11 MIS Bus Interface.

3-77. Functionally, the A11 MIS Bus Interface (hereafter referred to as the MIS I/F) performs three basic functions: receives and stores digital control data from a remote control source (Y5000), interfaces 5220A status signals to the Y5000, and provides a connecting path between the remote analog input signal (Aux Out)

and the rear-input connections on the A5 Preamplifier. Operating power for the assembly is derived from the +5V ISO (isolated) power supply.

3-78. Control data is received at the MIS I/F via the data bus as a 4-bit parallel word. When the 5100 Series Calibrator places the correct address on the address bus (BC0, BC3, and BC6 high), the write data logic responds by pulling the not ACK(knowledge) line low and clocking the control data word into the data register, U1. The not ACK signal is sent to the 5100 to acknowledge the receipt of a valid address. The register outputs are buffered and inverted by U6 before being used as remote programming inputs to the A10 Logic PCB (i.e., not Remote, not Operate, not LLO, and not Rear). At the same time that the address is acknowledged, an RS flip-flop in the write data logic is set.

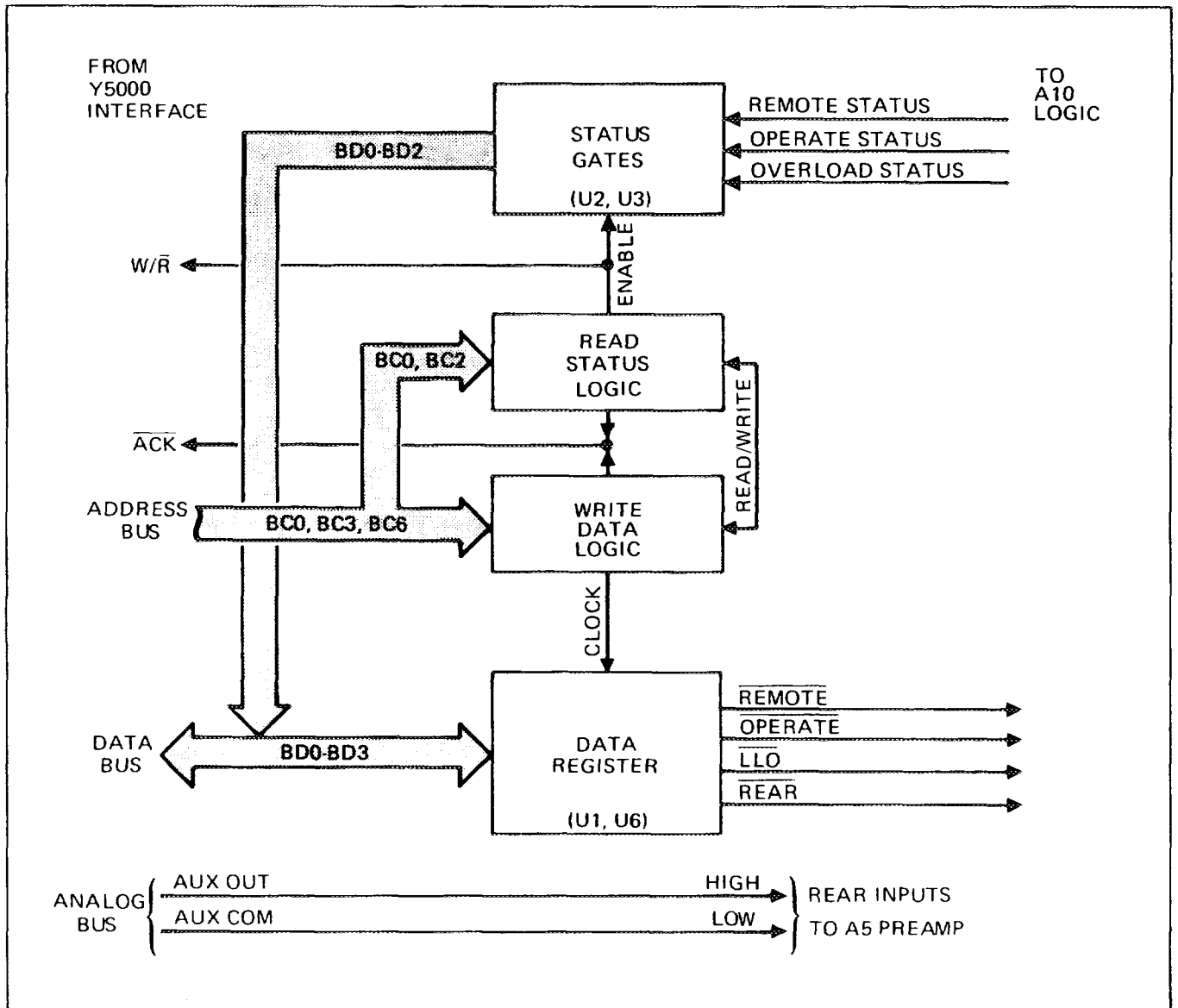


Figure 3-10. A11 MIS Bus Interface

3-79. The function of the RS flip-flop is to prevent two successive status read inputs to the 5220A. The flip-flop is set when a high is present on inputs BC0, BC3, and BC6. This results in a low output from U5-8 and a high output from U4-6. In this state, gate U5-8 is enabled so that a status read can take place when BC0 and BC2 go high. Status read causes the write/read (W/not R) line to go low for the duration of the BC0 and BC2 inputs. At the end of status read, the RS flop-flop is reset, closing the W/not R gate (U5-8) until it is reopened by another programming input. This process is repeated every 16 ms because the 5100 Series Calibrator refreshes the programming input to the 5220A at this rate.

3-80. Status information is received at the MIS I/F as 3-bits of parallel data (Remote Status, Operate Status, and Overload Status) from the A10 Logic. When the 5100

Series Calibrator places the correct address on the Address Bus (BC0 and BC2 high), the read status logic responds by pulling the not ACK line low and gating the three status bits onto the data bus. The not ACK signal is sent to the 5100 to acknowledge the receipt of a valid address. At the same time the RS flip-flop in the read status logic is reset. This causes a read command (W/not R low) to be sent to the 5100 so that it can read the data bus. The acknowledge output and the W/not R line will return high when the status address code is removed from the Address Bus.

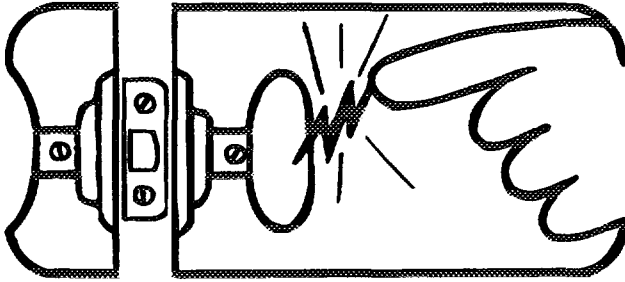
3-81. The analog output from the 5100 is passed through the Y5000 and the MIS I/F by way of a 2-wire (high, low) Analog Bus. The signal is routed directly from the MIS I/F to the rear input connections on the A5 Preamplifier.



static awareness



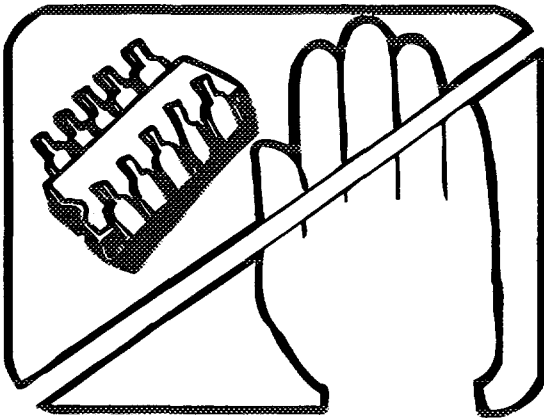
A Message From
Fluke Corporation



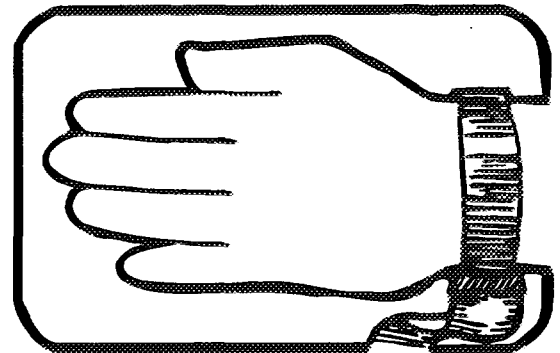
Some semiconductors and custom IC's can be damaged by electrostatic discharge during handling. This notice explains how you can minimize the chances of destroying such devices by:

1. Knowing that there is a problem.
2. Learning the guidelines for handling them.
3. Using the procedures, packaging, and bench techniques that are recommended.

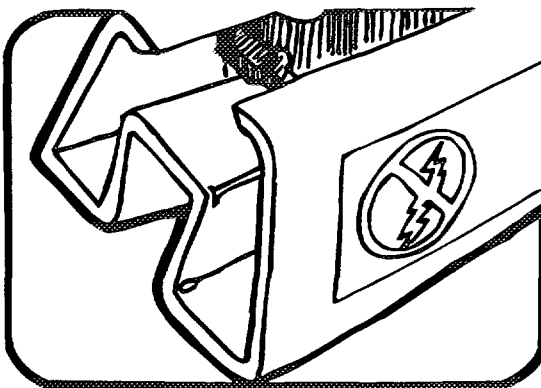
The following practices should be followed to minimize damage to S.S. (static sensitive) devices.



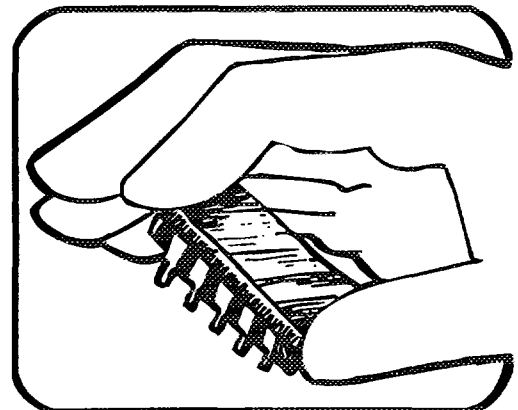
1. MINIMIZE HANDLING



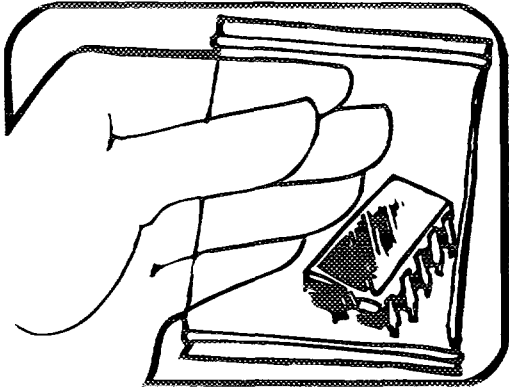
3. DISCHARGE PERSONAL STATIC BEFORE HANDLING DEVICES. USE A HIGH RESISTANCE GROUNDING WRIST STRAP.



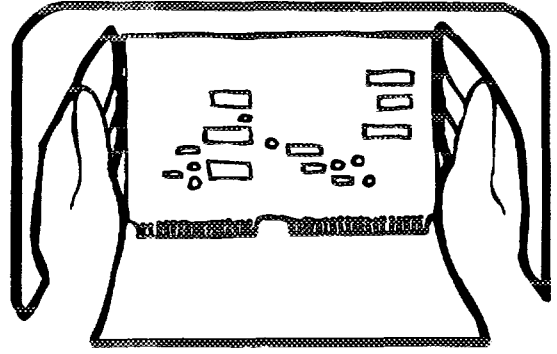
2. KEEP PARTS IN ORIGINAL CONTAINERS UNTIL READY FOR USE.



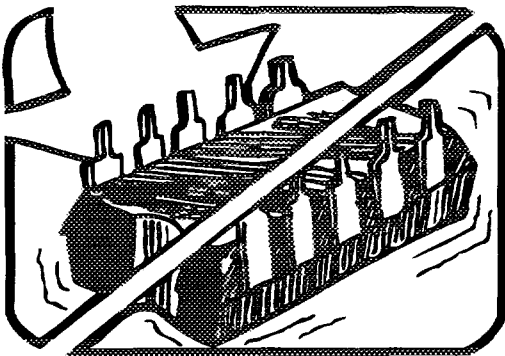
4. HANDLE S.S. DEVICES BY THE BODY.



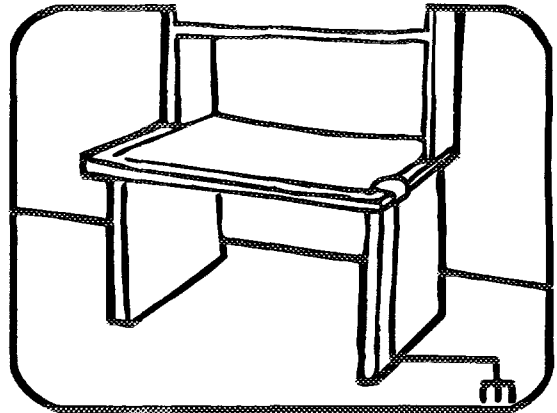
5. USE STATIC SHIELDING CONTAINERS FOR HANDLING AND TRANSPORT.



8. WHEN REMOVING PLUG-IN ASSEMBLIES HANDLE ONLY BY NON-CONDUCTIVE EDGES AND NEVER TOUCH OPEN EDGE CONNECTOR EXCEPT AT STATIC-FREE WORK STATION. PLACING SHORTING STRIPS ON EDGE CONNECTOR HELPS PROTECT INSTALLED S.S. DEVICES.



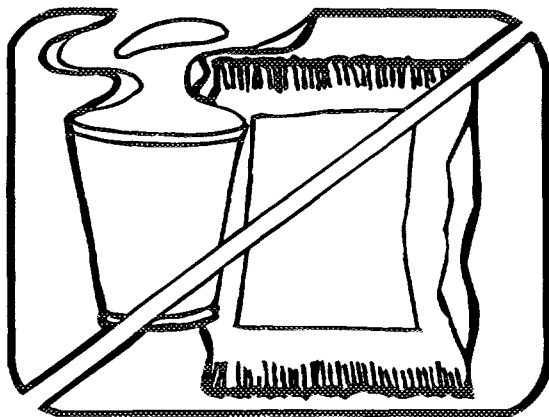
6. DO NOT SLIDE S.S. DEVICES OVER ANY SURFACE.



9. HANDLE S.S. DEVICES ONLY AT A STATIC-FREE WORK STATION.

10. ONLY ANTI-STATIC TYPE SOLDER-SUCKERS SHOULD BE USED.

11. ONLY GROUNDED-TIP SOLDERING IRONS SHOULD BE USED.



7. AVOID PLASTIC, VINYL AND STYROFOAM® IN WORK AREA.

PORTIONS REPRINTED
WITH PERMISSION FROM TEKTRONIX INC.
AND GENERAL DYNAMICS, POMONA DIV.

Section 4

Maintenance

WARNING

THESE SERVICING INSTRUCTIONS ARE FOR USE BY QUALIFIED PERSONNEL ONLY. TO AVOID ELECTRIC SHOCK, DO NOT PERFORM ANY SERVICING OTHER THAN THAT CONTAINED IN THE OPERATING INSTRUCTIONS UNLESS YOU ARE QUALIFIED TO DO SO.

4-1. INTRODUCTION

4-2. This section of the manual contains maintenance information for the Model 5220A Transconductance Amplifier. The material is presented under the categories of shipping information, general maintenance, performance test, calibration adjustments, and troubleshooting. The performance test is recommended as an acceptance test when the unit is first received, and later as a calibration procedure to verify the 180-day specifications. Table 4-1 lists the equipment required for both the performance test and calibration adjustments. If a recommended model is not available, an equivalent instrument meeting the required characteristics can be substituted.

4-3. SERVICE INFORMATION

4-4. The 5220A is warranted for a period of 1-year upon delivery to the original purchaser. The WARRANTY is located on the back of the title page.

4-5. Factory authorized calibration and service for each Fluke product is available at various worldwide locations. A complete list of these service centers is included in Section 7 of this manual. If requested, an estimate will be provided to the customer before work is begun on instruments that are beyond the warranty period.

Table 4-1. Required Test Equipment

EQUIPMENT TYPE	REQUIRED SPECIFICATIONS	RECOMMENDED TYPE
DC Voltage Calibrator	0 to 20V dc $\pm 0.002\%$	Fluke Model 332B
AC Voltage Calibrator	100 Hz to 5 kHz $\pm 0.002\%$	Fluke Model 5200A
Digital Voltmeter	0 to 20V dc $\pm 0.002\%$, Resolution 1 μ V	Fluke Model 8502A
True RMS Voltmeter	0 to 20V dc $\pm 0.05\%$, 30 Hz to 10 kHz	Fluke Model 931B
Precision Shunt	0.01 Ω $\pm 0.01\%$ dc, 0.035% ac to 5 kHz	Fluke Model Y5020
Load Resistor	0.1 Ω $\pm 3\%$, 50 watts	Dale RH-50
Load Resistor	1 Ω $\pm 5\%$, 10 watts	Dale RH-10
Distortion Analyzer	Frequency range - 100 Hz - 5 kHz	Sound Technology Model 1700A
Autotransformer	Nominal line voltage $\pm 10\%$, 500 watts	General Radio Variac

4-6. GENERAL MAINTENANCE

4-7. Cleaning

4-8. Clean the 5220A periodically to remove dust, grease, and other contamination. Use the following procedure:

1. Clean the front panel and case with a soft cloth dampened with a mild solution of detergent and water.
2. Clean the surface of the pcbs using clean, dry air at low pressure (≤ 20 psi). If grease is encountered, spray with Freon T.F. Degreaser and remove grime with dry, low-pressure air.

4-9. Air Filter Maintenance

4-10. Periodically inspect the air filter on the rear panel for dirt and contaminants. If cleaning is required, use the following procedure:

1. Disconnect the 5220A from line power.
2. Remove the two screws from the filter housing and gently pull the filter assembly from the unit.
3. Clean the filter using either low-pressure air or a mild solution of detergent and water.
4. Dry (if necessary) and reinstall the filter.

4-11. Access Information

4-12. The 5220A is a modular instrument that can be easily disassembled by sections. Procedures for section disassembly are given in the following paragraphs. Some procedures require the completion of previous procedures in the disassembly process. When this occurs, the previous procedure will be referenced, but not repeated.

WARNING

TO AVOID ELECTRICAL SHOCK HAZARD, DISCONNECT THE 5220A FROM LINE POWER BEFORE ATTEMPTING ANY OF THE FOLLOWING DISASSEMBLY PROCEDURES.

4-13. Reassembly of the instrument is accomplished by logically reversing the disassembly procedure. Before installing the top covers on the unit, make a visual comparison with Figure 4-1 to ensure the presence of all assemblies, jumpers, and fuses.

CAUTION

To prevent component damage, observe static awareness precautions during instrument disassembly/assembly. Refer to the yellow insert sheet following Section 1.

4-14. INTERNAL COMPONENTS/ASSEMBLIES

4-15. All internal switches, fuses, and calibration adjustments can be accessed by removing the top cover and the large inner cover from the 5220A. The location of each of the applicable components is shown in Figure 4-1. Procedures for setting, replacing, and/or adjusting these components are given later in this section of the manual.

4-16. FRONT PANEL REMOVAL

4-17. There are no electrical components physically mounted on the front panel of the 5220A. Use the following procedure to remove the front panel:

1. Remove the top and bottom covers from the 5220A.
2. Stand the instrument on its rear handles. Use a solid work surface.
3. Locate the two tabs at the rear of each front handle and remove the tab screws (4 total).
4. Lift the front panel from the chassis.

4-18. A9 FRONT PANEL PCB REMOVAL

4-19. Use the following procedure to access and remove the A9 Front Panel PCB Assembly:

1. Remove the front panel.
2. Remove the two screws from the top of the A9 Front Panel PCB Assembly.
3. Pull the pcb from its connector (J10).

4-20. A2 TRANSFORMER ASSEMBLY REMOVAL

4-21. Use the following procedure to remove the A2 Transformer Assembly from the 5220A:

1. Remove the top cover from the 5220A.
2. Remove the large inner cover.
3. Locate and remove the two screws that hold the A2 Transformer Assembly to the chassis side.

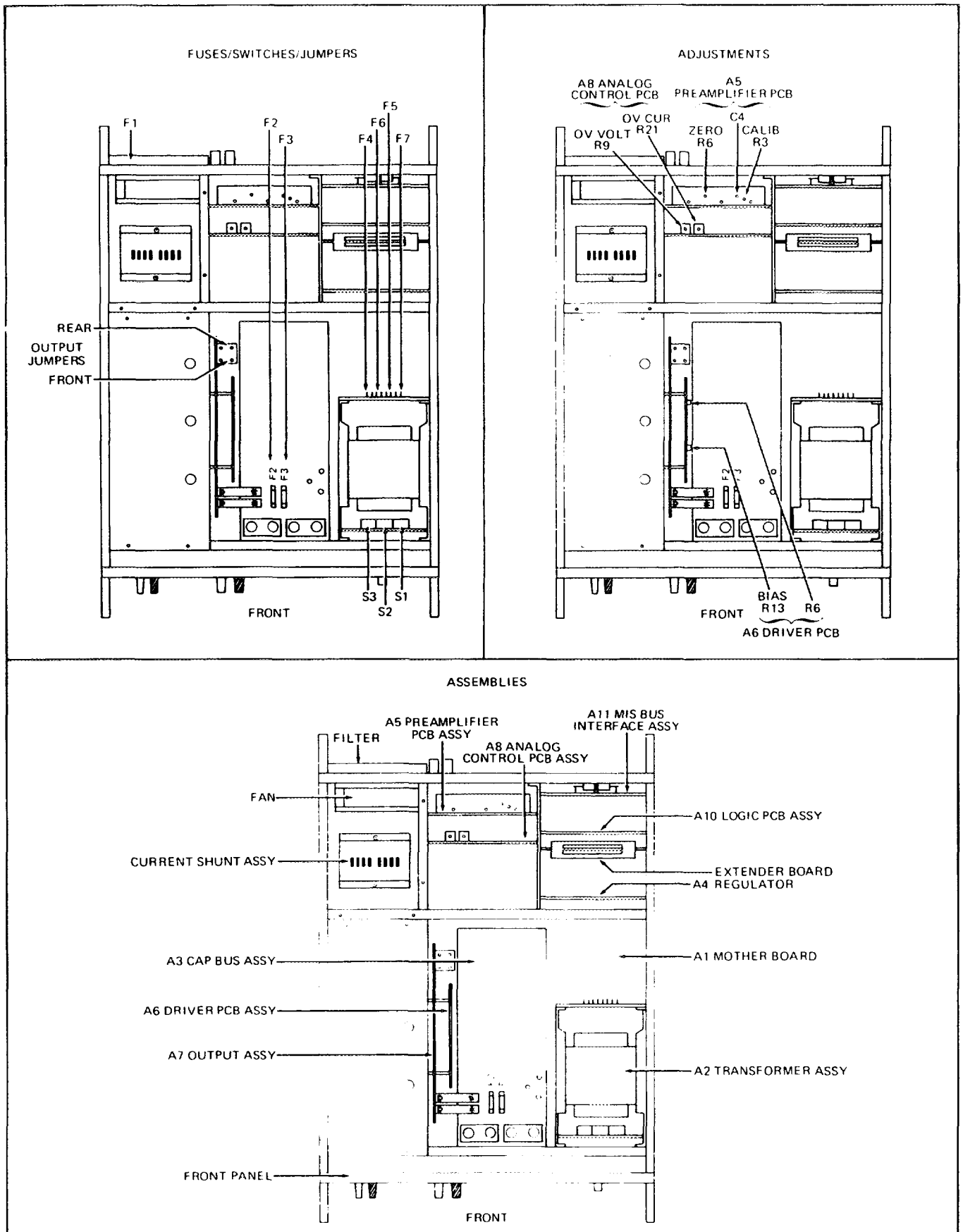


Figure 4-1. Internal Component/Assembly Locations

4. Remove the two screws that hold the A2 Transformer Assembly to the motherboard. These screws are located on the bottom right-side of the transformer assembly (as viewed from the top rear of the 5220A).

5. Remove the two hex screws that hold the top front of the transformer assembly to the 5220A front bulkhead.

6. Disconnect the three high-current transformer leads at the A3 Cap Bus Assembly. Lug nuts hold the leads in place.

NOTE

When reassembling, the clear colored lead (center top) must be connected to the terminal marked T. Connect one black lead to terminal S and the other to terminal F.

7. Carefully lift the A2 Transformer Assembly from the 5220A.

4-22. A6 DRIVER AND A7 OUTPUT ASSEMBLY REMOVAL

4-23. The A6 Driver and A7 Output PCB Assemblies comprise a plug-in assembly referred to in this procedure as the A6 Driver/A7 Output. Use the following procedure to remove the A6 Driver/A7 Output:

1. Remove the top cover from the 5220A.
2. Remove the large inner cover.
3. Remove the four screws from the sheet-metal portion of the A7 Output Assembly.
4. Remove the lug nuts holding the +12 and -12V bus straps to the A3 Cap Bus.
5. Remove the front/rear output selection screws (jumpers).
6. Lift the A6 Driver/A7 Output from the chassis.

4-24. A3 CAP BUS REMOVAL

4-25. To remove the A3 Cap Bus from the 5220A use the following procedure:

1. Remove the top and bottom covers from the 5220A.
2. Remove the top inner cover.
3. Remove both the front panel and the A9 Front Panel PCB Assembly.

4. Remove the A6 Driver/A7 Output Assembly.

5. Disconnect the transformer leads at the A3 Cap Bus.

6. Remove the two screws that secure the A3 Cap Bus ground strap to the motherboard.

7. Remove the nine screws holding the A3 Cap Bus to the front panel bulkhead.

8. On the A3 Cap Bus locate and remove the two large-head screws located to the side of resistors R2 and R5.

CAUTION

When these screws are installed they should be snug with the pcb. However, they should not cause the pcb to bow.

9. Lift the A3 Cap Bus from the chassis.

NOTE

A heatsink compound has been applied to the diode-end of the A3 Cap Bus. Do not wipe off or otherwise remove this compound.

4-26. A12 SHUNT ASSEMBLY REMOVAL

4-27. Use the following procedure to remove the A12 Shunt Assembly:

1. Remove the top cover from the 5220A.
2. Remove both the large and small inner covers.
3. Remove the A8 Analog Control PCB Assembly from its connectors (J40).
4. Unplug the red-/black-lead connector next to J50 on the motherboard.
5. Locate the A12 Shunt Assembly (just in front of the fan) and remove the two screws at the base of the assembly.
6. Carefully pull the A12 Shunt Assembly straight up while feeding the red-/black-leads under the bulkhead. When the leads are free, remove the A12 Shunt Assembly from the chassis.

NOTE

When reinstalling the shunt make sure that the red-/black-leads are plugged into the motherboard; red lead to pin R, black lead to pin B.

4-28. Fuse Replacement

4-29. AC LINE FUSE

4-30. The ac line fuse is accessible by way of a rear-panel fuse holder located to the left of the input power connector. If fuse replacement is required, disconnect the 5220A from line power and remove the fuse cap and fuse (twist the fuse cap ccw using a screwdriver). Select and install a replacement fuse whose rating is compatible with the local line voltage.

1. 100 to 120V ac use fuse type MDA 3A
2. 220 to 240V ac use fuse type MDX 1.5A

4-31. POWER SUPPLY FUSES

4-32. There are six fuses located inside of the 5220A. Each is used to fuse one of the secondary windings of the power transformer. Four of the fuses are located on the A2 Transformer Assembly, and two are on the A3 Cap Bus. Their locations (F2 through F7) are shown in Figure 4-1. Use the following procedure when replacement is necessary:

1. Disconnect the 5220A from line power.
2. Remove the top and large inner covers from the 5220A.
3. With reference to Figure 4-1, locate and inspect fuses F2 through F7. The fuses are installed in fuse clips and can be pulled out using your fingers.
4. Replace defective fuses with the appropriate type and rating:
 - a. F2 and F3 are AGC 20A fuses.
 - b. F4 through F7 are MDL 1/2A fuses.

4-33. Line Voltage Selection

4-34. The 5220A is set at the factory to operate at a line voltage of either 115 or 230V ac $\pm 10\%$, 40 to 60 Hz. The selected voltage is identified on a rear panel decal. If your local line voltage is not within this preset range, a suitable range may be selected by setting a series of three switches (S1, S2, S3) on the A2 Transformer Assembly. Figure 4-2 shows the switch locations as well as the switch settings for eight different line voltages. Use the following procedure to set the line voltage switches:

1. Disconnect the 5220A from line power.
2. Remove both the top cover and the large inner cover from the 5220A.

3. With reference to Figure 4-2, locate and set switches S1, S2, and S3 to the positions indicated for the desired line voltage.

4. Reinstall the top and inner covers.

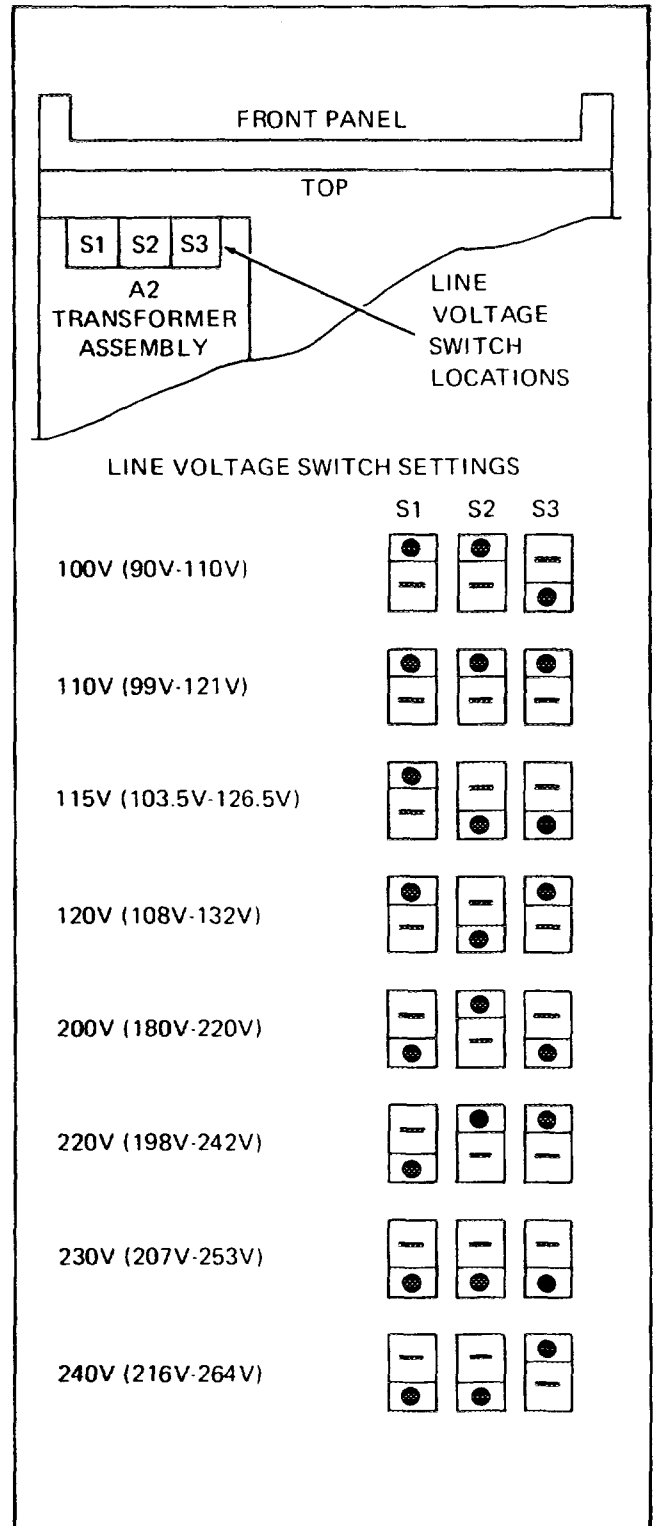


Figure 4-2. Line Voltage Selection

4-35. Output Terminal Selection, Front/Rear

4-36. Either the front or rear output terminals (but not both simultaneously) may be selected to provide the current output connections. The active terminals are determined by the position of a pair of screws which serve as output jumpers. See Figure 4-1 for the output jumper (screw) locations. Installing the screws in the two holes marked FRONT enables the front CURRENT OUTPUT terminals. Similarly, installing the screws in the two holes marked REAR enables the rear output terminals. Use the following procedure to position the screws:

CAUTION

To ensure proper instrument operation make sure that both screws are installed and that they are both in either the FRONT or REAR locations.

1. Disconnect the 5220A from line power.
2. Remove both the top and large inner covers from the 5220A.
3. Locate the output jumper screws as shown in Figure 4-1.
4. Install and secure the screws in the two FRONT or REAR holes, as desired.
5. Reinstall the top and inner covers.

4-37. Service Tools

4-38. The 5220A comes equipped with an extender board for servicing other 5220A pcb assemblies. A storage slot for the board is provided in the 5220A. See Figure 4-1 for the storage location.

4-39. PERFORMANCE TEST

4-40. The following paragraphs comprise a performance verification test which compares the instrument's performance to the specifications given in Section 1 of this manual. The test is recommended as an acceptance test when the unit is first received, and later as a calibration procedure to verify instrument accuracy at the scheduled calibration periods. It is also useful as an aid in troubleshooting.

4-41. Test equipment required for the performance test is listed earlier in Table 4-1. If the recommended equipment is not available, comparable instruments with equivalent specifications may be substituted. To ensure optimum results, the test must be performed at an ambient temperature of 22 to 24 degrees Celsius, with a relative humidity of less than 85%. Also, the instrument should be allowed to warmup for at least 30 minutes before starting the performance test.

4-42. If the instrument does not meet the performance test, troubleshooting, repair, and/or calibration adjustment is indicated. Procedures for calibration adjustment and troubleshooting are given later in this section of the manual.

4-43. Initial Conditions

4-44. Before starting the following procedures, condition the 5220A as follows:

1. Disconnect all input, output, and remote connections at the 5220A.
2. Install the top, bottom, and inner covers if they have been removed.
3. Connect the unit to line power through an autotransformer set for the proper line voltage, and set the POWER switch to ON. Only the STANDBY and FRONT LEDs should light.
4. Allow the 5220A to warmup for at least 30 minutes before proceeding.

4-45. Front Panel Tests

4-46. Use the following procedure to check the operation of the 5220A front-panel controls and LEDs:

1. With the unit in the standby mode, connect jumper wires between the enabled (front/rear) output terminals. Use a 4-inch length of 16-gauge insulated wire.
2. Press the OPR/STDBY pushbutton. The OPR LED should light and the STDBY LED should go out.
3. Press the INPUT pushbutton to select the rear input.
4. Return input control to the front panel by pressing the INPUT pushbutton. The FRONT LED should light and the REAR LED should go out.
5. Remove the jumper wire from the output terminals. The unit should switch to the standby mode and the OVERCOMPLIANCE LED should light.
6. Reinstall the jumper wire at the output terminals.
7. Clear the overcompliance condition by pressing the OPR/STDBY switch. Set the unit to the operate mode.

CAUTION

The **THERMAL CUTOFF LED** will light only when the output stage of the 5220A is overheated. This is a failure mode that should not be invoked for test purposes. The **LOCAL pushbutton** and the **REMOTE, LOCAL LOCKOUT LEDs** are remote control features that require remote commands for operation.

4-47. Zero Output

4-48. The following procedure checks the zero output of the 5220A in both the standby and operate modes:

1. Connect the load resistor (0.1 ohm) to the enabled (front/rear) output terminals.
2. Connect the DVM to the sense terminals on the load resistor and select the 100 mV dc range.
3. With the 5220A in the standby mode, read the voltage drop across the load resistor. The reading should be $0 \pm \mu\text{V}$ dc.
4. Connect a short jumper wire between the front **VOLTAGE INPUT** terminals.
5. Set the 5220A to the operate mode. The **OPR LED** should be on and the **STDBY LED** off.
6. Read the output voltage on the DVM. It should be $0 \pm 100 \mu\text{V}$ dc.
7. Set the 5220A to standby and remove the jumper wire from the **VOLTAGE INPUT** terminals.
8. Disconnect the load resistor from the output terminals on the 5220A.

4-49. DC Accuracy and Line Regulation

4-50. The following procedure is used to check the dc accuracy of the 5220A output current:

1. Connect the precision shunt to the enabled output terminals on the 5220A.
2. Connect the DVM to the sense terminals on the precision shunt. Observe polarity.
3. Set the DVM to the 200 mV dc range.
4. Connect the output of the dc voltage calibrator to the **VOLTAGE INPUT** terminals on the 5220A; positive to red, negative to black.
5. Set the dc voltage calibrator to the output shown in step 1 of Table 4-2 (+10.0000V dc).
6. Set the 5220A to the operate mode.

Table 4-2. DC Accuracy Test

STEP	DC CALIBRATOR OUTPUT (V dc)	CALCULATED OUTPUT CURRENT (AMPS)
1	+10.0000	+9.9965 to +10.0035
2	+20.0000	+19.9940 to +20.0060
3	-10.0000	-10.0035 to -9.9965

7. Using the DVM reading and the calibrated shunt value, calculate the output current ($I = E/R$). The calculated value should be within the limits shown in the table.
8. Vary the line voltage $\pm 10\%$ from nominal and verify a less than 0.001% change in output current.
9. Sequentially set the calibrator output to the voltages shown in steps 2 and 3 of Table 4-2. At each voltage setting verify the 5220A output accuracy by repeating step 7 of this procedure.
10. Set the 5220A to the standby mode.
11. Set the dc voltage calibrator output to zero volts and disconnect it from the 5220A.
12. Disconnect the precision shunt from the 5220A output terminals.

4-51. Harmonic Distortion

4-52. This procedure is used to measure the harmonic distortion present at the output of the 5220A.

1. Set the output of the ac voltage calibrator to zero and connect it to the 5220A **VOLTAGE INPUT** terminals.
2. Connect the load resistor (0.1 ohms) to the enabled (front/rear) output terminals.
3. Connect the distortion analyzer to load resistor sense terminals.
4. Set the ac voltage calibrator output to 20V rms at 1 kHz.
5. Set the 5220A to the operate mode.
6. Measure the output distortion on the distortion analyzer. It should be less than or equal to 0.075%.

NOTE

Do not use input filters when making this measurement.

7. Set the 5220A to the standby mode.

8. Disconnect the load resistor and the distortion analyzer from the 5220A output terminals.

4-53. Frequency Response

NOTE

When high ac currents at high frequencies are being used, and minimization of inductive coupling is required, it is recommended that you twist the current carrying leads between the 5220A and load. Also, any measuring instruments used with the load should be kept at least eighteen inches away from the load to prevent radiation from affecting its reading.

4-54. The frequency response of the 5220A is checked using the following procedure:

1. Connect the precision shunt (.01 ohm) to the enabled (front/rear) output terminals.
2. Connect the true rms voltmeter to the sense terminals on the precision shunt.
3. Set the ac voltage calibrator output to the voltage and frequency shown in step 1 of Table 4-3 (20.0000V @ 100 Hz).

Table 4-3. Frequency Response Test

STEP	AC VOLTAGE CALIBRATOR OUTPUT (V rms)	MEASURED OUTPUT CURRENT (AMPS)
1	20V @ 100 Hz	19.970-20.030*
2	20V @ 300 Hz	Reading 1 \pm .05%
3	20V @ 1 kHz	Reading 1 \pm .05%
4	20V @ 3 kHz	Reading 1 \pm .15%
5	20V @ 5 kHz	Reading 1 \pm .25%

*Includes limit of errors:
1. 5220A 2. 5200A 3. Y5020 4. 931A

4. Set the 5220A to the operate mode.
5. Read the true rms voltmeter and calculate the current. It should indicate a current within the limits shown for step 1.
6. Sequentially set the calibrator output to each of the frequencies shown in steps 2 through 5 of Table 4-3. At each frequency verify that the measured current is within the limits given for that step.
7. Set the 5220A to the standby mode.

8. Disconnect the precision shunt from the 5220A output terminals.

4-55. Overcurrent Trip Test

4-56. The following procedure will verify the accuracy of the overcurrent trip setting on the 5220A:

1. Connect the load resistor (0.1 ohm) to the enabled (front/rear) output terminals.
2. Set the output of the ac voltage calibrator to 20.0000V rms.
3. Set the 5220A to the operate mode.
4. Increase the ac voltage calibrator output in 1.0V rms increments. The 5220A should switch to the standby mode at between 20.0 and 24.0V rms. The OVERCURRENT LED should also light.
5. Set the ac voltage calibrator output to zero volts.
6. Disconnect the load resistor from the 5220A output terminals.

4-57. Overvoltage Trip Test

4-58. The following procedure is used to check the overvoltage trip setting on the 5220A:

1. Connect a 1 ohm \pm 5%, 10 watt resistor (Dale RH-10) to the enabled (front/rear) output terminals on the 5220A.
2. Set the output of the 5220A to 3.0000V rms.
3. Set the 5220A to the operate mode.
4. Increase the ac voltage calibrator output in 0.1V rms increments. The 5220A should switch to the standby mode with an input of 3.1 to 3.5V rms. The OVERVOLTAGE LED should also light.
5. Set the ac voltage calibrator output to zero volts and disconnect the unit from the 5220A.
6. Remove the 1 ohm, 10 watt resistor from the 5220A output terminals.
7. Set the 5220A POWER switch to OFF.

4-59. CALIBRATION ADJUSTMENTS

4-60. The calibration adjustment procedures given in the following paragraphs should be performed after repair of the 5220A and or when the unit fails the

performance-test requirements. If the unit will not respond to, or meet the limits of the adjustment procedures, troubleshooting and repair is indicated. Equipment required for the calibration adjustments is listed earlier in Table 4-1.

4-61. All calibration adjustments are accessible when the top and large inner covers are removed from the 5220A. Figure 4-1 identifies the location of the assemblies, test points, and adjustments that must be accessed to complete the calibration adjustment procedures.

4-62. To ensure optimum results, the calibration adjustments must be performed at an ambient temperature of 22 to 24 degrees Celsius, with a relative humidity of less than 85%. Also the unit should be allowed to warmup in the operate mode (with the top cover in place) for at least 30 minutes before starting the adjustment procedures.

4-63. Initial Conditions

4-64. Before starting the following procedures, condition the 5220A as follows:

1. Disconnect all input and remote connections to the 5220A, and connect a short jumper wire between the selected output terminals.
2. Connect the unit to line power and set the POWER switch to ON. Only the STDBY and FRONT LEDs should light.
3. Set the 5220A to the operate mode and allow it to warmup for at least 30 minutes.
4. Remove the top and large inner cover from the unit, and complete the following procedures.

4-65. Input Offset Adjustment

4-66. The following procedure is used to adjust input offset (R6) on the A5 Preamplifier PCB Assembly:

1. Connect the load resistor (0.1 ohm) to the enabled (front/rear) 5220A output terminals.
2. Connect the DVM to the sense terminals on the load resistor and select the 100 mV dc range.
3. Connect a short jumper wire between the front VOLTAGE INPUT terminals.
4. Set the 5220A to the operate mode.
5. Adjust R6 on the A5 Preamplifier PCB Assembly for a DVM reading of .010 to .010 mV dc ($0 \pm 10 \mu\text{V}$ dc).
6. Set the 5220A to the standby mode.

4-67. Driver Offset Adjustment

4-68. The following procedure is used to adjust input offset (R6) on the A6 Driver PCB Assembly. The procedure is accomplished with the 5220A in the standby mode:

1. Jumper test lead between TP7 (-15V dc) on the A4 Regulator and TP4 (Turn on 1) on the A8 Analog Control. This enables the A8 Analog Control and A7 Output while the A5 Preamplifier is clamped to zero (standby).
2. Adjust R6 on the A6 Driver for a DVM reading of -1.000 to +1.000 mV dc.
3. Disconnect the test lead from TP4 and TP7.
4. Remove the load resistor from the 5220A output terminals.
5. Remove the jumper wire from the front-panel VOLTAGE INPUT terminals.

4-69. Output Bias Adjustment

4-70. This procedure is used to adjust the bias current for both the A6 Driver and the A7 Output. The bias adjustment (R13) is located on the A6 Driver PCB Assembly.

1. Connect the ac voltage calibrator to the front-panel VOLTAGE INPUT terminals on the 5220A.
2. Connect the load resistor (.1 ohm) to the enabled output terminals on the 5220A.
3. Connect the distortion analyzer input to the sense terminals on the load resistor.
4. Set the ac voltage calibrator for a 10V rms, 1 kHz output.
5. Set the 5220A to the operate mode.
6. Measure the distortion and adjust R13 for a minimum indication, then increase clockwise 1.5 turns.
7. Set the 5220A to the standby mode.
8. Disconnect the distortion analyzer and the load resistor from the 5220A.

4-71. DC Accuracy Adjustment

4-72. This procedure is used to adjust R3 on the A5 Preamplifier PCB Assembly. This adjustment controls the accuracy of the dc output current.

1. Connect the precision shunt (.01 ohm) to the enabled output terminals on the 5220A.
2. Connect the DVM to the sense terminals on the precision shunt. Observe polarity.
3. Connect the output of the dc voltage calibrator to the VOLTAGE INPUT terminals on the 5220A; positive to red, negative to black.
4. Set the dc voltage calibrator for an output of $+10.0000V$ dc.
5. Set the 5220A to the operate mode.
6. Adjust R3 on the A5 Preamplifier for a voltage reading in millivolts that is 10 times the calibrated value of the precision shunt in milliohms. The adjustment should be within ± 0.002 mV dc of the calculated value. For example: if the calibrated value of the shunt is 0.0100253, adjust R3 for a DVM reading of .100253V dc or 100.253 ± 0.002 mV dc.
7. Set the 5220A to the standby mode.
8. Disconnect both the dc voltage calibrator and the precision shunt from the 5220A.

4-73. Frequency Response

4-74. The following procedure is used to adjust the frequency response of the 5220A. The adjustment is made at C4 on the A5 Preamplifier PCB Assembly.

1. Connect the precision shunt to the enabled output terminals on the 5220A.
2. Connect the true rms voltmeter to the sense terminals on the precision shunt.
3. Set the output of the ac voltage calibrator to 10V rms, 1 kHz.
4. Set the 5220A to the operate mode.
5. Note the reading on the rms voltmeter.
6. Change the frequency of the calibrator output to 5 kHz.
7. Adjust trimmer capacitor C4 on the A5 Preamplifier PCB to obtain the same reading on the rms voltmeter as that noted in step 5.

8. Set the 5220A to the standby mode.

9. Disconnect the shunt and voltmeter from the 5220A output terminals.

4-75. Overcurrent Adjustment

4-76. This procedure is used to adjust the overcurrent trip level of the 5220A. The overcurrent adjustment (R21) is located on the A8 Analog Control PCB Assembly.

1. Connect the load resistor (0.1 ohm) to the enabled output terminals on the 5220A.
2. Set the calibrator output to 23.5V rms, 50 Hz.
3. Set the 5220A to the operate mode. If the unit switches back to standby, turn R21 (on the A8 Analog Control PCB Assembly) counterclockwise until the operate mode can be enabled.
4. Adjust R21 clockwise until the 5220A switches to the standby mode. Both the STDBY and OVERCURRENT LEDs should light.
5. Disconnect the 0.1 ohm load resistor from the 5220A output terminals.

4-77. Overvoltage Adjustment

4-78. This procedure is used to adjust the overvoltage trip level for the 5220A. The overvoltage adjustment (R9) is located on the A8 Analog Control PCB Assembly.

1. Connect the 1 ohm load resistor to the enabled output terminals on the 5220A.
2. Set the ac voltage calibrator output for 3.3V rms, 50 Hz.
3. Set the 5220A to the operate mode. If the unit switches back to standby, turn R9 (on the A8 Analog Control PCB Assembly) counterclockwise until the operate mode can be enabled.
4. Adjust R9 clockwise until the 5220A switches to the standby mode. Both the STDBY and OVERCOMPLIANCE LEDs should light.
5. Disconnect the load resistor and the ac voltage calibrator from the 5220A.
6. Set the 5220A POWER switch to OFF.
7. Disconnect the unit from line power.
8. Install the inner cover and top cover on the 5220A.

4-79. REPLACEMENT OF SELECTED COMPONENTS

4-80. The A5 Preamplifier PCB Assembly contains a series of three selected parts that may have to be changed after repairs have been made on the pcb. All three selected parts are resistors. Two (R11, R12) are associated with the Input Offset Adjustment (R6); the third (R13) affects the DC Accuracy Adjustment (R3). Resistors R11 and R12 are selected to place R6 at approximately midrange when it is properly adjusted. Resistor R13 is selected to accomplish the same thing for R3. When the travel of either R3 or R6 limits proper adjustment, the associated selected resistor(s) should be replaced. Follow the appropriate procedure for parts selection.

4-81. Resistors R11 and R12

4-82. Resistors R11 and R12 are associated with the Input Offset Adjustment procedure and the setting of the ZERO ADJ potentiometer R6. Use the following procedure to select the proper replacements for R11 and R12:

1. Disconnect the 5220A from line power.
2. Remove the top and large inner covers from the unit.
3. Remove the two fuses (F1 and F2) from the A3 Cap Bus PCB Assembly.
4. Mount the A5 Preamplifier PCB Assembly on the extender board and install jumper wires on the pcb at the following points.
 - a. TP1 to TP5
 - b. TP3 to TP4
 - c. Short across R11
 - d. Short across R12
5. Disconnect the red and black Current Shunt sense lead from the motherboard (connections are located near the A5 Preamplifier connector). On the A8 Analog Control, short TP9 to TP13 to prevent a false overcurrent trip.
6. Set the digital voltmeter to the 100 mV dc range and connect its input to TP4 (+) and TP5 () on the A5 Preamplifier PCB Assembly.
7. Adjust R6 on the A5 Preamplifier to the full ccw (counterclockwise) position.
8. Connect the 5220A to line power and set the POWER switch to ON.

9. Select the operate mode using the STDBY/OPR switch.

10. Note the DVM reading. It should read within the range of ± 1.300 mV dc.

11. Adjust R6 on the A5 Preamplifier PCB to the full cw (clockwise) position and note the reading. The DVM reading should increase in a positive direction.

12. Calculate the difference between the DVM readings taken in steps 10 and 11. The difference should be $350 \mu\text{V} \pm 70 \mu\text{V}$ dc.

13. Determine the average reading of steps 10 and 11 and adjust R6 for that reading on the DVM. Then perform step a, b, or c as required.

a. If the DVM reading is within the range of ± 0.087 mV dc, replace both R11 and R12 with shorting wires (0Ω).

b. If the DVM reading is negative, refer to Table 4-4, and replace R12 with the appropriate resistor. Replace R11 with a shorting wire.

c. If the DVM reading is positive, refer to Table 4-4 and replace R11 with the appropriate resistor. Replace R12 with a shorting wire.

14. Set the POWER switch to OFF and disconnect the 5220A from line power.

15. Install the two fuses (F1 and F2) on the A3 Cap Bus PCB Assembly.

16. Remove the jumpers from TP1-TP5 and TP3-TP4.

17. Disconnect the DVM from TP4 and TP5.

18. Remove the A5 Preamplifier PCB from the extender board.

19. Reconnect the red and black current shunt sense leads to the motherboard.

20. Install the A5 Preamplifier PCB Assembly in its slot.

21. Perform the Calibration Adjustment procedures.

Table 4-4. Replacement Resistors for R11 and R12

DVM READING (\pm mV dc)	SELECTED VALUE FOR R11/R12	FLUKE PART NUMBER
0.87 to .174	1.00 k Ω	168229
.175 to .261	2.00 k Ω	235226
.262 to .348	3.01 k Ω	312645
.349 to .435	4.02 k Ω	235325
.436 to .522	4.99 k Ω	168252
.523 to .609	6.04 k Ω	285189
.610 to .696	6.98 k Ω	261685
.697 to .783	8.06 k Ω	347229

4-83. Resistor R13

4-84. Resistor R13 is associated with the DC Accuracy Adjustment procedure and the setting of the GAIN ADJ potentiometer R3. Use the following procedure to select the proper replacement for R13:

1. Disconnect the 5220A from line power.
2. Remove the top and large inner covers from the unit.
3. Connect the precision shunt (.01 ohm) to the enabled output terminals of the 5220A.
4. Connect the DVM to the sense terminals on the precision shunt; observe polarity. Set the DVM to the 100 mV range and zero the display \pm .001 mV.
5. Connect the output of the dc voltage calibrator to the VOLTAGE INPUT terminals on the 5220A; positive to red, negative to black.
6. Adjust R3 on the A5 Preampifier to its full cw limit.
7. Install a shorting wire across R13 on the A5 Preampifier PCB Assembly.
8. Connect the 5220A to line power and set the POWER switch to ON.

9. Set the calibrator for an output of +10.0000V dc.

10. Set the 5220A to the operate mode.

11. Determine the actual value of the precision shunt (calibrated value) and subtract it from .01 ohms. Multiply this difference by 10,000 and record the result.

12. Record the displayed DVM reading in mV and add the result of step 11 from the reading. Use this corrected DVM reading in conjunction with Table 4-5, to select the value of R13.

For example:

Given: Shunt Value = .0100123 Ω

DVM Reading = 101.041 mV dc

Corrected DVM Reading = 101.041 + 10000 (.01 - .010012)

Corrected DVM Reading = 100.918 mV dc

R13 = 698 ohms (see Table 4-5.)

13. Set the POWER switch on the 5220A to OFF and replace R13 on the A5 Preampifier PCB with the selected value.

14. Perform the Calibration Adjustment procedures.

Table 4-5. Replacement Resistors for R13

CORRECTED DVM INDICATION (mV dc)	SELECTED VALUE FOR R13 (ohms)	FLUKE PART NUMBER
102.000 to 101.800	1740 Ω	357756
101.800 to 101.600	1500 Ω	376947
101.600 to 101.400	1282 Ω	330472
101.400 to 101.200	1100 Ω	347161
101.200 to 101.000	900 Ω	460519
101.000 to 100.800	698 Ω	289330
100.800 to 100.600	499 Ω	289256
100.600 to 100.400	301 Ω	289173
100.400 to 100.200	100 Ω	357400
100.200 to 100.000	0 Ω	-----

4-85. TROUBLESHOOTING

CAUTION



Static discharge can damage MOS components contained in the 5220A. To prevent this possibility use the following precautions when troubleshooting and/or repairing the unit.

1. Never remove, install, or otherwise connect, or disconnect pcbs and/or components without disconnecting the unit from line power.
2. Perform all repairs at a static-free work station.
3. Do not handle ICs or pcbs by their connectors.
4. Use static ground straps to discharge repair personnel.
5. Use conductive foam to store replacement or removed ICs.
6. Remove all plastic, vinyl, and Styrofoam products from the work area.
7. Use a grounded soldering iron.

4-86. The following troubleshooting information is designed for use in isolating a mainframe malfunction to the pcb (board) level. Details necessary to troubleshoot faulty pcbs to the component level can be derived from the the schematic diagrams given in Section 8, and the Theory of Operation in Section 3.

4-87. Troubleshooting information is presented in a series of interrelated figures and tables. Figure 4-3, identifies the available pcb test points and their location. Figures 4-4 and 4-5, give a flowchart summary of the actual procedures contained in Tables 4-6 and 4-7.

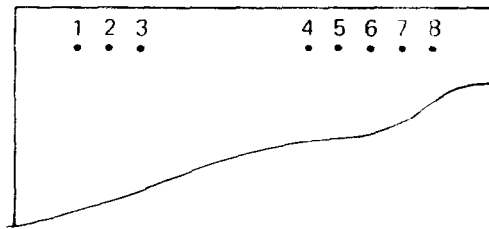
4-88. When using the troubleshooting guides, the following notes apply:

1. Do not start in the middle of the procedure. Any given step assumes that the previous steps have been completed. Complete Table 4-6 before going on to Table 4-7.
2. All measurements using external test equipment are made at test points on the various pcb assemblies. See Figure 4-3 for test point location identification.

TP SIGNAL

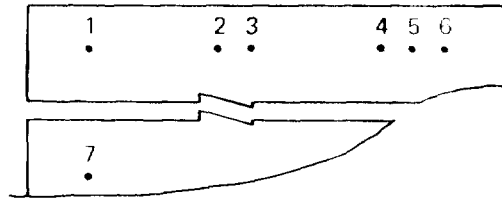
- 1 +5V ISO (COM TP2)
- 2 COM 4 (ISO)
- 3 +15V dc (COM TP5)
- 4 COM 3
- 5 COM 1
- 6 +5V dc (COM TP4)
- 7 -15V dc (COM TP5)
- 8 LINE MON(ITOR)

A4 REGULATOR PCB



- 1 PREAMP INPUT 1
- 2 PREAMP INPUT 2
- 3 SHUNT SENSE 2
- 4 DRIVE IN
- 5 COM 1
- 6 FET DRIVE 1
- 7 COM 3

A5 PREAMPLIFIER PCB



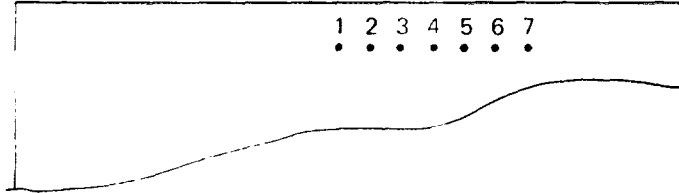
- 1 SHUNT SENSE 1
- 2 BIAS VOLTAGE
- 3 SHUNT SENSE 2
- 4 DRIVE IN

A6 DRIVER PCB



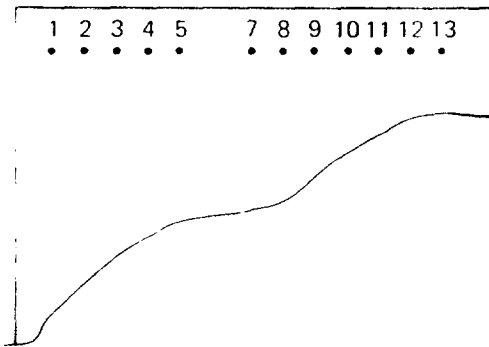
- 1 + DRIVE
- 2 - DRIVE
- 3 Q103 SHUNT
- 4 Q104 SHUNT
- 5 Q105 SHUNT
- 6 Q106 SHUNT
- 7 OUT +

A7 OUTPUT PCB



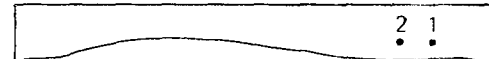
- 1 OVERCOMPLIANCE
- 2 OVERCURRENT
- 3 COM 3
- 4 TURN ON 1
- 5 FET DRIVE 1
- 7 I TRIP LEVEL
- 8 I DETECTOR OUTPUT
- 9 COM 1
- 10 V TRIP LEVEL
- 11 V DETECTOR OUTPUT
- 12 OUT +
- 13 COM 2

A8 ANALOG CONTROL PCB



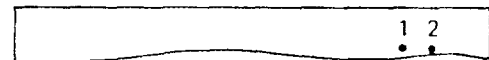
- 1 COM 3
- 2 +5V dc

A9 FRONT PANEL PCB



- 1 COM 3
- 2 +5V dc

A10 LOGIC PCB



- 1 COM 4
- 2 +5V dc ISO

A11 MIS BUS I/F PCB

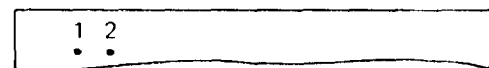


Figure 4-3. Test Point Location/Identification

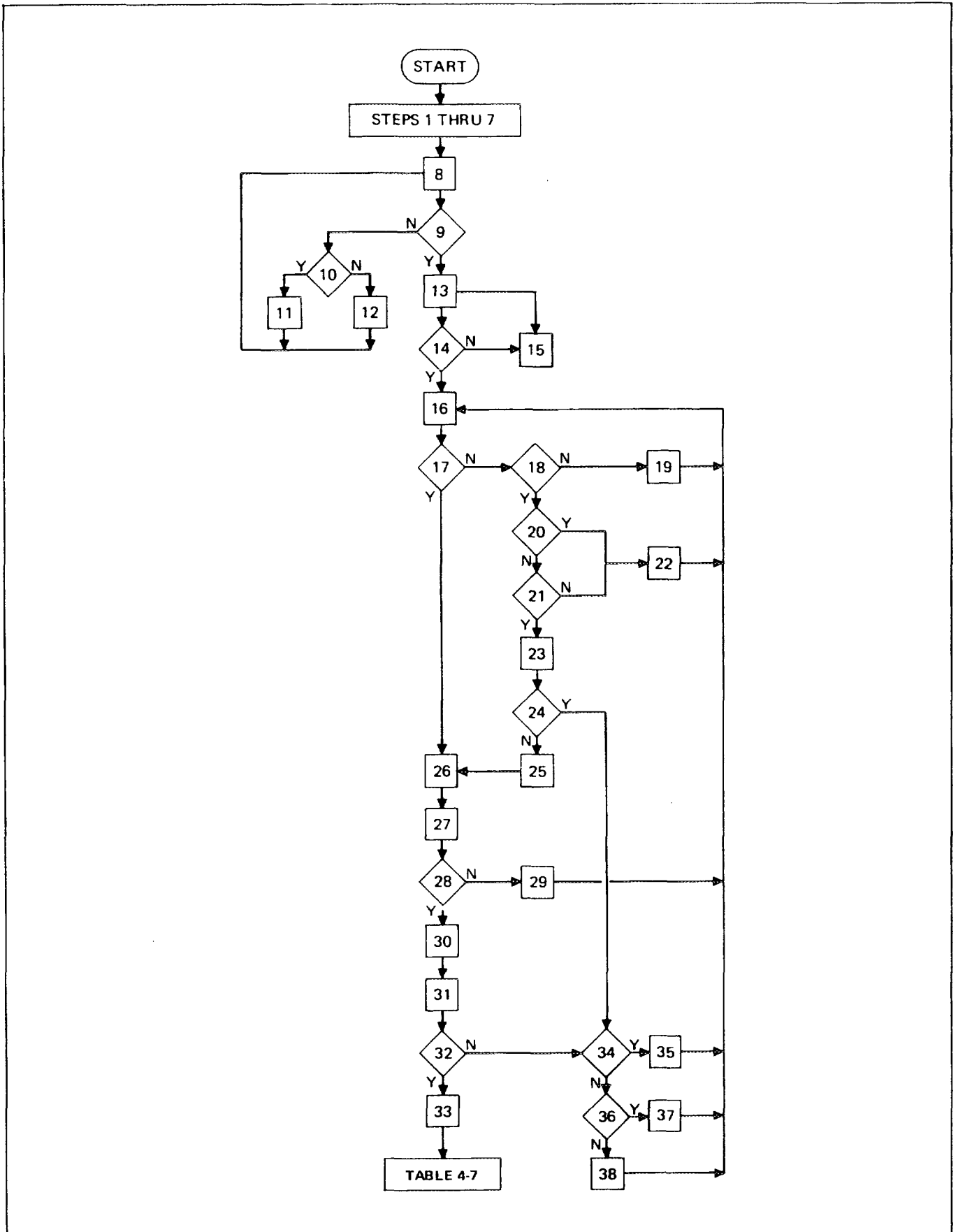


Figure4-4. Flowchart Summary of Mainframe and Digital Section Troubleshooting Guide (Table 4-6)

Table 4-6. Mainframe and Digital Section Troubleshooting Guide

STEP NO.	INSTRUCTION	YES	NO	GOTO																																						
1	Set the 5220A POWER switch to OFF and disconnect the unit from line power.			2																																						
2	Remove the top cover and the large inner cover from the 5220A.			3																																						
3	Visually inspect the internal fuses (F2 through F7) and replace as required.			4																																						
4	Connect a shorting jumper between the front panel VOLTAGE INPUT terminals.			5																																						
5	Check to ensure that all pcb assemblies are securely installed in the correct locations. See Figure 4-1.			6																																						
6	Determine the enabled output terminals by visually identifying the position of the front/rear output jumper screws. Tighten these screws if they are loose.			7																																						
7	Connect a shorting jumper between the enabled output terminals.			8																																						
8	Connect the 5220A to line power and set the POWER switch to ON.			9																																						
9	Is the fan running?	13	10																																							
10	Are any of the front panel LEDs lit?	11	12																																							
11	Loose fan connections or defective fan. Repair as required.			8																																						
12	Check the line power fuse and replace if necessary. If fuse continues to blow, locate short in input power circuit/transformer assembly. Check the position of the line voltage switches on the transformer assembly.																																									
13	Using a dc voltmeter, verify the presence of all power supply voltages at the A4 Regulator PCB and the A3 Cap Bus. Test points are provided on the A4 Regulator PCB. Measure the A3 Cap Bus outputs ($\pm 12V$ dc) at the bus bar terminals on that assembly with respect to COM 2 (the ground plane on top of the A3 Cap Bus PCB).																																									
	<table border="0"> <thead> <tr> <th rowspan="2">VOLTAGE</th> <th colspan="2">TEST POINTS</th> <th rowspan="2">LIMITS</th> </tr> <tr> <th>HI</th> <th>LO</th> </tr> </thead> <tbody> <tr> <td colspan="4" style="text-align: center;">A4 REGULATOR</td> </tr> <tr> <td>+15V</td> <td>3</td> <td>5</td> <td>+14.4 to +15.6V dc</td> </tr> <tr> <td>-15V</td> <td>7</td> <td>5</td> <td>-15.6 to -14.4V dc</td> </tr> <tr> <td>+5V ISO</td> <td>1</td> <td>2</td> <td>+4.8 to +5.2V dc</td> </tr> <tr> <td>+5V</td> <td>6</td> <td>4</td> <td>+4.8 to +5.2V dc</td> </tr> <tr> <td colspan="4" style="text-align: center;">A3 CAP BUS</td> </tr> <tr> <td>+12V</td> <td>-</td> <td>-</td> <td>+10.5 to +13.5V dc</td> </tr> <tr> <td>-12V</td> <td>-</td> <td>-</td> <td>-12.5 to -10.5V dc</td> </tr> </tbody> </table>	VOLTAGE	TEST POINTS		LIMITS	HI	LO	A4 REGULATOR				+15V	3	5	+14.4 to +15.6V dc	-15V	7	5	-15.6 to -14.4V dc	+5V ISO	1	2	+4.8 to +5.2V dc	+5V	6	4	+4.8 to +5.2V dc	A3 CAP BUS				+12V	-	-	+10.5 to +13.5V dc	-12V	-	-	-12.5 to -10.5V dc			
VOLTAGE	TEST POINTS		LIMITS																																							
	HI	LO																																								
A4 REGULATOR																																										
+15V	3	5	+14.4 to +15.6V dc																																							
-15V	7	5	-15.6 to -14.4V dc																																							
+5V ISO	1	2	+4.8 to +5.2V dc																																							
+5V	6	4	+4.8 to +5.2V dc																																							
A3 CAP BUS																																										
+12V	-	-	+10.5 to +13.5V dc																																							
-12V	-	-	-12.5 to -10.5V dc																																							
14	Are all voltages within limits?	16	15																																							
15	Check the line voltage switch settings on A2 Transformer Assembly. They should be set to comply with the local line voltage. If some voltages are in limits and some are out, the problem is on the A4 Regulator or the A3 Cap Bus. If a voltage is low, check for power supply loading. If a voltage is high, the regulator IC is likely cause.																																									
	FRONT PANEL TESTS																																									
16	Complete the Front Panel Tests described earlier under Performance Test.			17																																						
17	Does the 5220A respond as described in the Front Panel Tests?																																									
18	Do one or more LEDs light?	20	19																																							

Table 4-6. Mainframe and Digital Section Troubleshooting Guide (cont)

STEP NO.	INSTRUCTION	YES	NO	GOTO
19	Operating voltage (+5V dc) is not present at either the A9 Front Panel PCB or the A10 Logic PCB. Repair as required.			
20	Can the standby/operate modes be selected? <i>NOTE</i> <i>The jumper wire must be installed between the enabled output terminals.</i>			
21	Is OVERCURRENT or OVERCOMPLIANCE LED lit?	23	22	
22	Defective switch, LED, or standby/operate circuit (on the A10 Logic PCB).			16
23	Set the POWER switch to OFF, then ON.			
24	Is the OVERCOMPLIANCE or OVERVOLTAGE LED lit?	34	25	
25	Connect a 0.1 ohm resistor between the selected output terminals, then connect a DVM across the 0.1 ohm resistors.			26
26	Connect a jumper wire between TP4 (Turn on 1) on the A8 Analog Control PCB and TP7 (-15V) on the A4 Regulator PCB.			27
27	With the 5220A in standby, adjust R6 on the A6 Driver for a DVM reading of zero volts ± 1.0 mV.			28
28	Can a zero volt DVM reading be obtained?	30	29	
29	The A6 Driver and/or A7 Output Assemblies are defective. Repair as required.			16
30	The A6 Driver and A7 Output Assemblies are functional. Remove the jumper from between TP4 and the A8 Analog Control PCB and TP17 on the A4 Regulator.			31
31	Press the STDBY/OPR switch.			32
32	Can the operate mode be selected?	33	34	
33	The mainframe and digital section are operational; the transconductance amplifier (A5, A6, A7) is defective. Check out and repair the transconductance amplifier using Table 4-7, Analog Section Troubleshooting Guide.			16
34	Is OVERCURRENT LED lit?	35	36	
35	Check the following and repair as required: 1. Open feedback loop, current shunt to A5 Preamplifier. 2. Overcurrent detector on A8 PCB. 3. Failure status logic on A10 PCB. 4. Defective A5 Preamplifier PCB.			

Table 4-6. Mainframe and Digital Section Troubleshooting Guide (cont)

STEP NO.	INSTRUCTION	YES	NO	GOTO
36	Is OVERCOMPLIANCE LED lit?	37	38	
37	Check the following and repair as required: <ol style="list-style-type: none"> 1. Overvoltage detector on A8 PCB. 2. Open loop on transconductance amplifier (A5, A6, A7 PCBs). 3. Failure status circuit on the A10 PCB. 4. Open load or open circuit between output amplifier and output terminals. 			16
38	Check timing logic on the A10 Logic PCB, and the level shifters on the A8 Analog Control PCB. Repair as required.			16

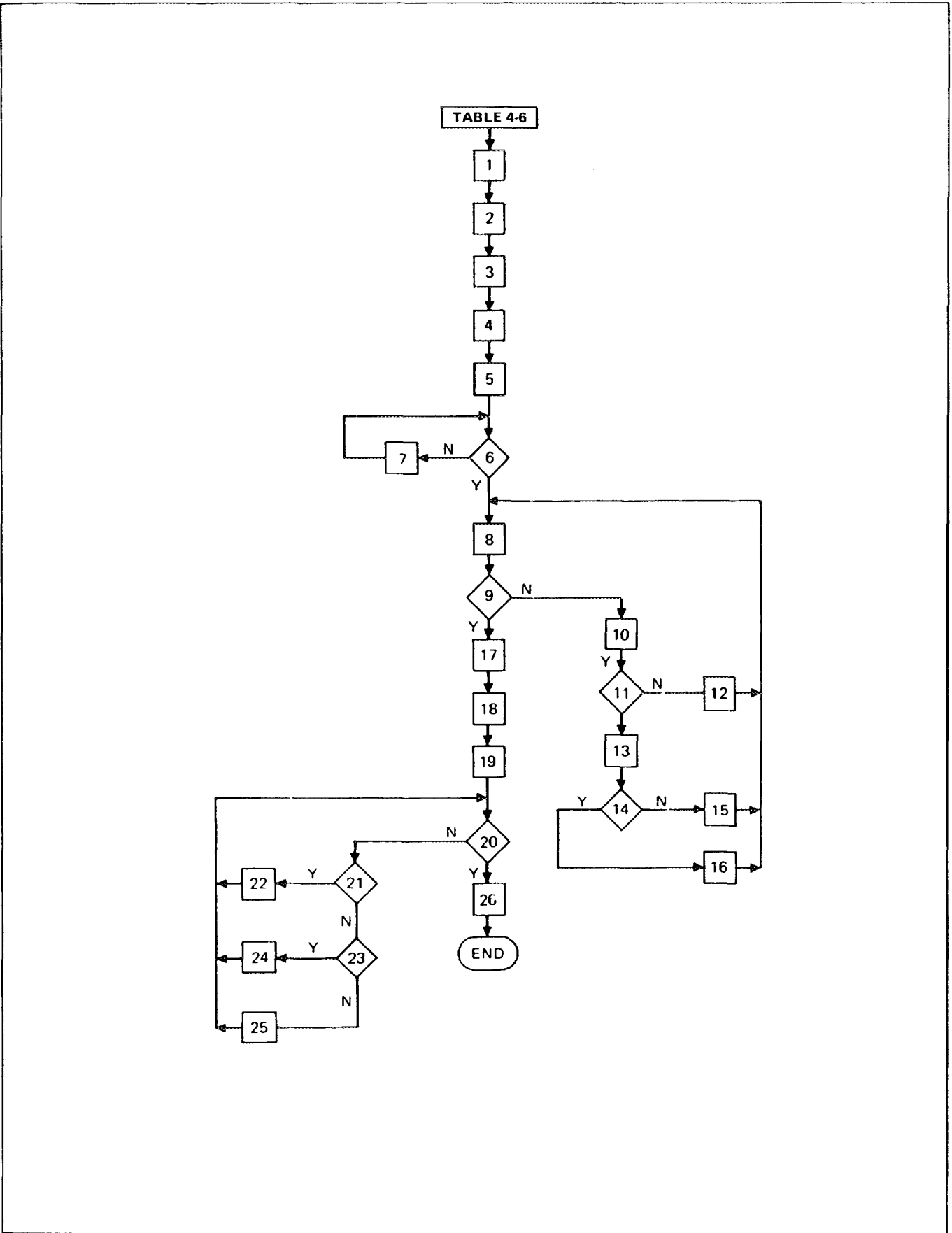


Figure 4-5. Flowchart Summary of Analog Section Troubleshooting Guide (Table 4-7)

Table 4-7. Analog Section Troubleshooting Guide

STEP NO.	INSTRUCTION	YES	NO	GOTO
1	Complete the troubleshooting procedure given in Table 4-6.			2
2	Set the 5220A POWER switch to OFF.			3
3	Connect a jumper wire between the front panel VOLTAGE INPUT terminals.			4
4	Connect a 0.1 ohm resistor between the selected output terminals, then connect a DVM across the 0.1 ohm resistor.			5
5	Set the POWER switch to ON and select the operate mode.			6
6	Does the 5220A remain in the operate mode?	8	9	
7	If the 5220A trips to standby and indicates an overcompliance or overcurrent condition, the A5 Preamplifier PCB is at fault. Check voltage levels on the active components on the A5 Preamplifier PCB while the unit is in standby. Repair as required.			8
8	Using a tuning tool, adjust R1, Zero Adjust, on the A5 Preamplifier PCB for a DVM reading of $0 \pm 3 \mu\text{V}$ dc. The adjustment should cover a range of $0 \pm 5 \mu\text{V}$.			9
9	Can R6 be adjusted for a DVM reading of $0 \pm 3 \mu\text{V}$?	17	10	
10	Connect the DVM from TP4 (high) to TP3 (low) on the A8 Analog Control PCB. With the 5220A in the operate mode the DVM should read -15V dc.			11
11	Does the DVM read -15V dc?	13	14	
12	Troubleshoot the Turn on 1 circuit starting with the level shifting transistors Q3 and Q4 on the A8 Analog Control PCB Assembly. Then check for a T1 output from U22 on the A10 Logic PCB Assembly. Repair as required.			
13	Connect the DVM from TP6 (high) to TP5 (low) on the A5 Preamplifier PCB Assembly. With the 5220A in the operate mode the DVM should read -15V dc.			14
14	Does the DVM read -15V dc?	16	15	
15	Troubleshoot the FET Drive 1 circuit starting with the level shifting transistors Q1 and Q2 on the A8 Analog Control PCB Assembly. Then check for a T2 output from U22 on the A10 Logic PCB Assembly. Repair as required.			8
16	The A5 Preamplifier PCB Assembly is defective. Check voltage levels on the active components on the A5 Preamplifier PCB while the unit is in standby. Repair as required.			8
17	The A5 Preamplifier, A6 Driver, and A7 Output stages are operating properly. Set the 5220A to standby, remove and replace the front panel short at the VOLTAGE INPUT terminals with a 1.0V dc voltage source; positive to red, negative to black.			18
18	Reconnect the DVM across the 0.1 ohm resistor to the output terminals.			19

Table 4-7. Analog Section Troubleshooting Guide (cont)

STEP NO.	INSTRUCTION	YES	NO	GOTO
19	Set the 5220A to the operate mode and read the DVM.			20
20	Does the DVM read approximately +0.1V dc?	26	22	
21	Does the DVM read approximately zero volts?	22	23	
22	Check relay K1 and associated drive circuits on the A5 Preamplifier PCB Assembly. Also check resistors R1, R3, R13 for open circuits. If these are OK, check the Relay 1 drive signal from the A10 Logic PCB Assembly.			
23	Is the DVM reading greater than 0.010V dc?	24	25	
24	The A6 Driver or A7 Output stage is defective. Check voltage levels on active components to isolate the fault. Repair as required.			20
25	The A5 Preamplifier is defective. Check voltage levels on active components to isolate the fault. Repair as required.			20
26	The 5220A is operational. Verify instrument compliance with published specifications by completing the Performance Test given earlier in this section of the manual.			—

1
2
3
4
5
6
7
8
9
10
11
12
13
14
15
16
17
18
19
20
21
22
23
24
25
26
27
28
29
30
31
32
33
34
35
36
37
38
39
40
41
42
43
44
45
46
47
48
49
50
51
52
53
54
55
56
57
58
59
60
61
62
63
64
65
66
67
68
69
70
71
72
73
74
75
76
77
78
79
80
81
82
83
84
85
86
87
88
89
90
91
92
93
94
95
96
97
98
99
100

Section 5

List of Replaceable Parts

TABLE OF CONTENTS

ASSEMBLY NAME	DRAWING NO.	TABLE		FIGURE	
		NO.	PAGE	NO.	PAGE
Final Assembly	5220A T&B-5001	5-1	5-3	5-1	5-5
A1 Motherboard PCB Assembly	5220A-4001T	5-2	5-14	5-2	5-14
A2 Power Transformer Assembly	5220A-4201	5-3	5-15	5-3	5-15
A3 Capacitor Bus PCB Assembly	5220A-5001	5-4	5-16	5-4	5-17
	Group 05				
A4 Regulator PCB Assembly	5220A-4090T	5-5	5-18	5-5	5-19
A5 Preamplifier PCB Assembly	5220A-4050T	5-6	5-20	5-6	5-21
A6 Driver PCB Assembly	5220A-4030T	5-7	5-22	5-7	5-23
A7 Output PCB Assembly	5220A-4020T	5-8	5-24	5-8	5-25
A8 Analog Control PCB Assembly	5220A-4040T	5-9	5-27	5-9	5-28
A9 Front Panel PCB Assembly	5220A-4010T	5-10	5-29	5-10	5-29
A10 Logic PCB Assembly	5220A-4060T	5-11	5-30	5-11	5-31
A11 MIS Bus Interface PCB Assembly	5220A-4070T	5-12	5-32	5-12	5-33
A12 Shunt Assembly	5220A-4202	5-13	5-34	5-13	5-35
A13 Output Termination PCB Assembly	5220A-4004	5-14	5-36	5-14	5-36
A14 Extender PCB Assembly	5220A-4003	5-15	5-37	5-15	5-37

5-1. INTRODUCTION

5-2. This section contains an illustrated parts breakdown of the instrument. A similar parts listing for each of the Options will be found in Section 6. Components are listed alphanumerically by assembly. Both electrical and mechanical components are listed by reference designation. Each listed part is shown in an accompanying illustration.

5-3. Parts lists include the following information:

1. Reference Designation.
2. Description of each part.
3. FLUKE Stock Number.
4. Federal Supply Code for Manufacturers.
5. Manufacturer's Part Number.
6. Total Quantity of components per assembly.

5-4. HOW TO OBTAIN PARTS

5-5. Components may be ordered directly from the manufacturer by using the manufacturer's part number or from the Fluke Corporation or its authorized representatives by using the **FLUKE STOCK NUMBER**. In the event the part you order has been replaced by a new or improved part, the replacement will be accompanied by an explanatory note and installation instructions, if necessary.

5-6. To ensure prompt and efficient handling of your order, include the following information.

1. Quantity.
2. FLUKE Stock Number.
3. Description.
4. Reference Designation.
5. Printed Circuit Board Part Number and Revision Letter.
6. Instrument Model and Serial Number.

5-7. Parts price information is available from the Fluke Corporation or its representatives. Prices are also available in a Fluke Replacement Parts Catalog which is available on request.

5-8. MANUAL STATUS INFORMATION

5-9. The Manual Status Information table that precedes the parts lists defines the revision levels of the assemblies documented in this manual. Assembly revision levels are printed on the component side of the assembly.

CAUTION

*

Indicated devices are subject to damage by static discharge.

Manual Status Information

REF OR OPTION NO.	ASSEMBLY NAME	FLUKE PART NO.	REVISION LEVEL
A1	Motherboard PCB Assembly	491209	C
A3	Capacitor Bus PCB	497446	-
A4	Regulator PCB Assembly	489690	E
A5	Preamplifier PCB Assembly	487702	M
A6	Driver PCB Assembly	540146	E
A7	Output PCB Assembly	540138	F
A8	Analog Control PCB Assembly	491241	G
A9	Front Panel PCB Assembly	491217	B
A10	Logic PCB Assembly	491258	G
A11	MIS Bus Interface PCB Assembly	491266	C
A13	Output Termination PCB Assembly	491274	A

Table 5-1. 5220A Final Assembly
(See Figure 5-1.)

REFERENCE DESIGNATOR	FLUKE STOCK	MFRS SPLY	MANUFACTURERS PART NUMBER	TOT QTY	N O T
-A>-NUMERIC-S->	S-----DESCRIPTION-----	--NO--	-OR CODE--	-OR GENERIC TYPE-----	-E---
A 1	*	491209	89536	491209	1
A 2		491282	89536	491282	1
A 3	*	476994	89536	476994	1
A 4	*	489690	89536	489690	1
A 5	*	487702	89536	487702	1
A 6	*	540146	89536	540146	1
A 7	*	540138	89536	540138	1
A 8	*	491241	89536	491241	1
A 9	*	491217	89536	491217	1
A 10	*	491258	89536	491258	1
A 11	*	491266	89536	491266	1
A 12		491290	89536	491290	1
A 13	*	491274	89536	491274	2
A 14	*	486217	89536	486217	1
B 1		103374	82877	MU2A1-028021	1
C 1- 8		423525	56289	36DX503G015BC2B	8
C 9		355420	59660	3888-000-Z5U-503Z	1
CR 1, 3		483206	04713	1N1183	2
CR 2, 4		483214	04713	1N1183RA	2
E 1, 2		101048	79963	46	2
F 1		109280	71400	MDQ-3-3-3-10	1
F 2, 3		500793	71400	BK/AGC30X	2
H 1		295105		COMMERCIAL	8
H 2		281725		COMMERCIAL	14
H 3		320093		COMMERCIAL	16
H 4		152140		COMMERCIAL	80
H 5		114116		COMMERCIAL	8
H 6		110593	85840	HNNY-832BK	8
H 7		152165		COMMERCIAL	10
H 8		501569	51506	112542-N-2	4
H 9		110817		COMMERCIAL	4
H 10		529032	73734	8042-NP	2
H 11		110403		COMMERCIAL	2
H 12		110635		COMMERCIAL	2
H 13		152173		COMMERCIAL	13
H 14		110619		COMMERCIAL	9
H 15		110833	86928	5604-64	4
H 16		159749		COMMERCIAL	5
H 17		110544		COMMERCIAL	10
H 18		114314		COMMERCIAL	16
H 19		110718		COMMERCIAL	4
H 20		543314	86928	5612-80-50	4
H 21		152181		COMMERCIAL	8
H 22		114181		COMMERCIAL	4
H 23		114124		COMMERCIAL	14
H 24		114066		COMMERCIAL	4
H 25		175943	89536	175943	1
MP 1		479618	89536	479618	1
MP 2		394320	89536	394320	2
MP 3		522524	89536	522524	1
MP 4		486068	89536	486068	2
MP 5		489500	89536	489500	1
MP 6		394403	89536	394403	4
MP 7		187799	82240	B-2328	7
MP 8		502781	89536	502781	1
MP 9		526004	89536	526004	2
MP 10		485888	89536	485888	1
MP 11		486050	89536	486050	2
MP 12		486076	89536	486076	2
MP 13		502799	89536	502799	1
MP 14		485995	89536	485995	1
MP 15		485987	89536	485987	1
MP 16		489526	89536	489526	1
MP 17		489534	89536	489534	1
MP 18		489542	89536	489542	1
MP 19		489559	89536	489559	1
MP 20		794404	89536	794404	2
MP 21		794412	89536	794412	2
MP 22		490524	89536	490524	1

An * in 'S' column indicates a static-sensitive part.

Table 5-1. 5220A Final Assembly (cont)
(See Figure 5-1.)

REFERENCE DESIGNATOR	FLUKE STOCK	MFRS SPLY	MANUFACTURERS PART NUMBER	TOT	N O T
-A>-NUMERICS-----> S-----DESCRIPTION-----	--NO--	-CODE-	-OR GENERIC TYPE-----	QTY--	-E--
MP 23	497974	89536	497974	1	
MP 24	101550	71002	403	4	1
MP 25	104174	9W423	9268-N140	4	
MP 26	485953	89536	485953	1	
MP 27	172080	06383	SST 1M	2	
MP 28	102889	89536	102889	1	
MP 29	102996	28520	2030	1	
MP 30	271650	12615	SI-890-823	2	
MP 31	284166	82389	EAC301	1	
MP 32	256461	32559	SFS450	12	
MP 33	102707	89536	102707	1	
MP 34	460238	61935	031.1666	1	
MP 35	502179	89536	502179	1	
MP 36	500785	55285	7403-09FR-25	4	
MP 37	497982	89536	497982	1	
MP 38	485896	89536	485896	1	
MP 39	485904	89536	485904	1	
MP 40	485912	89536	485912	1	
MP 41	485920	89536	485920	1	
MP 42	485938	89536	485938	1	
MP 43	485946	89536	485946	1	
MP 44	486035	89536	486035	1	
MP 45	485979	89536	485979	1	
MP 46	794453	89536	794453	1	
MP 47	794461	89536	794461	1	
MP 48	542118	31522	T-3500	1	
MP 49	522532	89536	522532	1	
MP 50	292870	89536	292870	4	
MP 51	489484	89536	489484	2	
MP 52	576967	89536	576967	1	
MP 54	472795	89536	472795	1	
MP 55	489948	89536	489948	1	
R 2, 5	109934	01121	HB1011	2	
TM 1	491936	89536	491936	1	
VR 1, 2	904896	89536	904896	2	2
W 1	363481	70903	CH-8339	1	
W 2	491308	89536	491308	1	
W 3	629188	89536	629188	1	
XF 1	460329	61935	031.1673	1	
XF 2, 3	756460	75915	122088	4	
	RECOMMENDED SPARE PARTS KIT	527648			

An * in 'S' column indicates a static-sensitive part.

NOTES

1. THIS ITEM CONSISTS OF A PLUG, A WASHER, AND A HEX NUT.
2. THESE PARTS ARE LOCATED ON THE A1 MOTHERBOARD PCB ASSEMBLY SCHEMATIC.

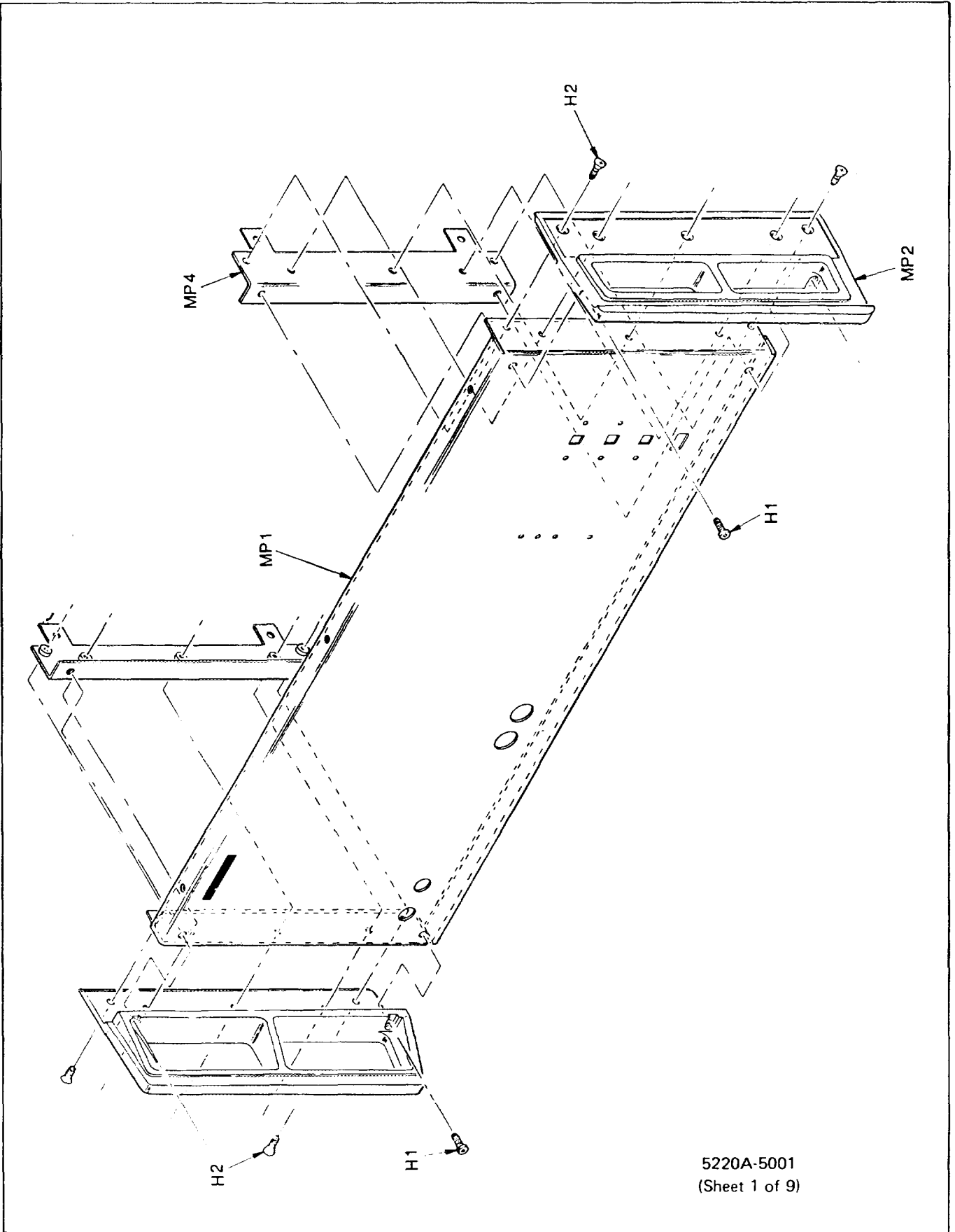
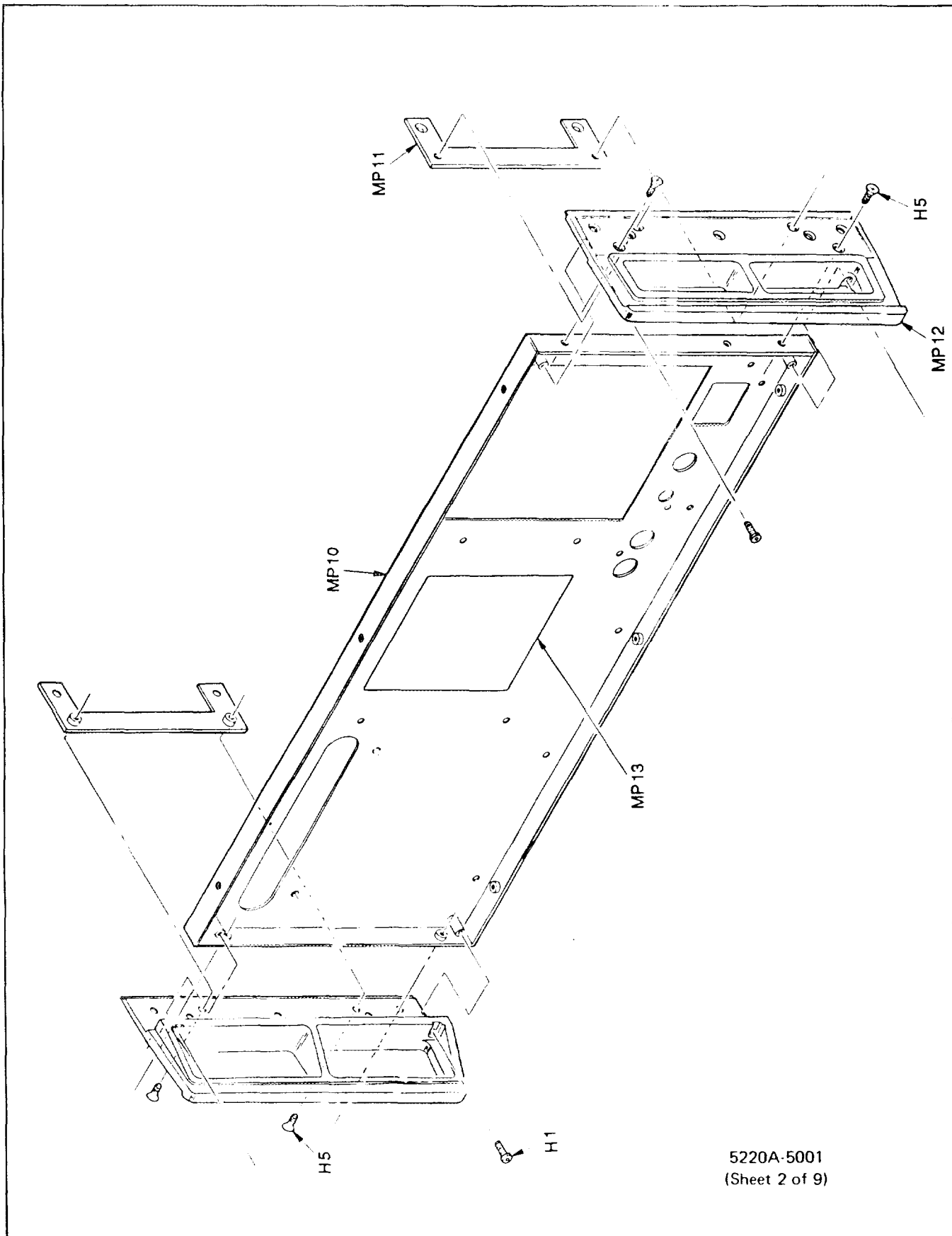


Figure 5-1. 5220A Final Assembly



5220A-5001
(Sheet 2 of 9)

Figure 5-1. 5220A Final Assembly (cont)

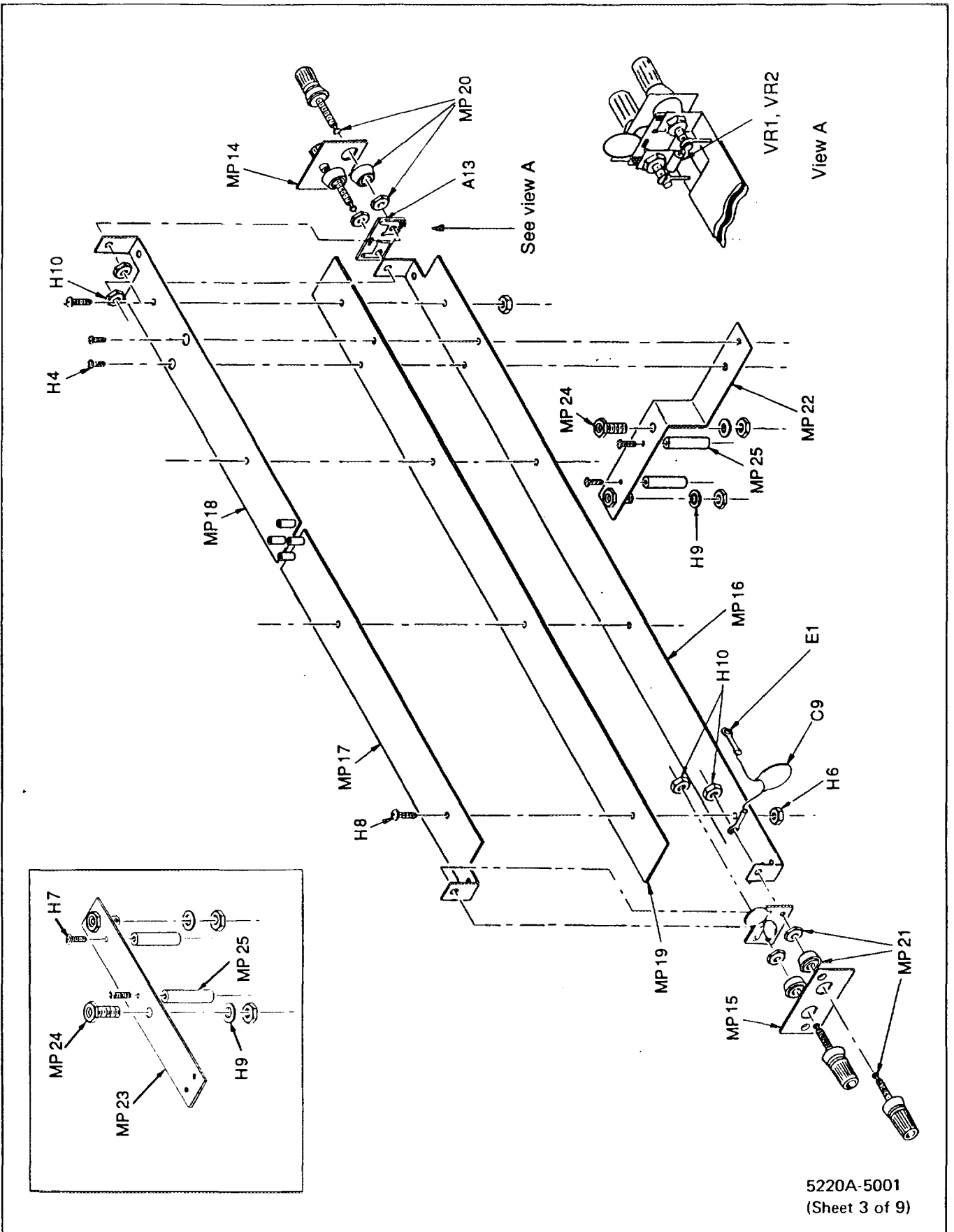


Figure 5-1. 5220A Final Assembly (cont)

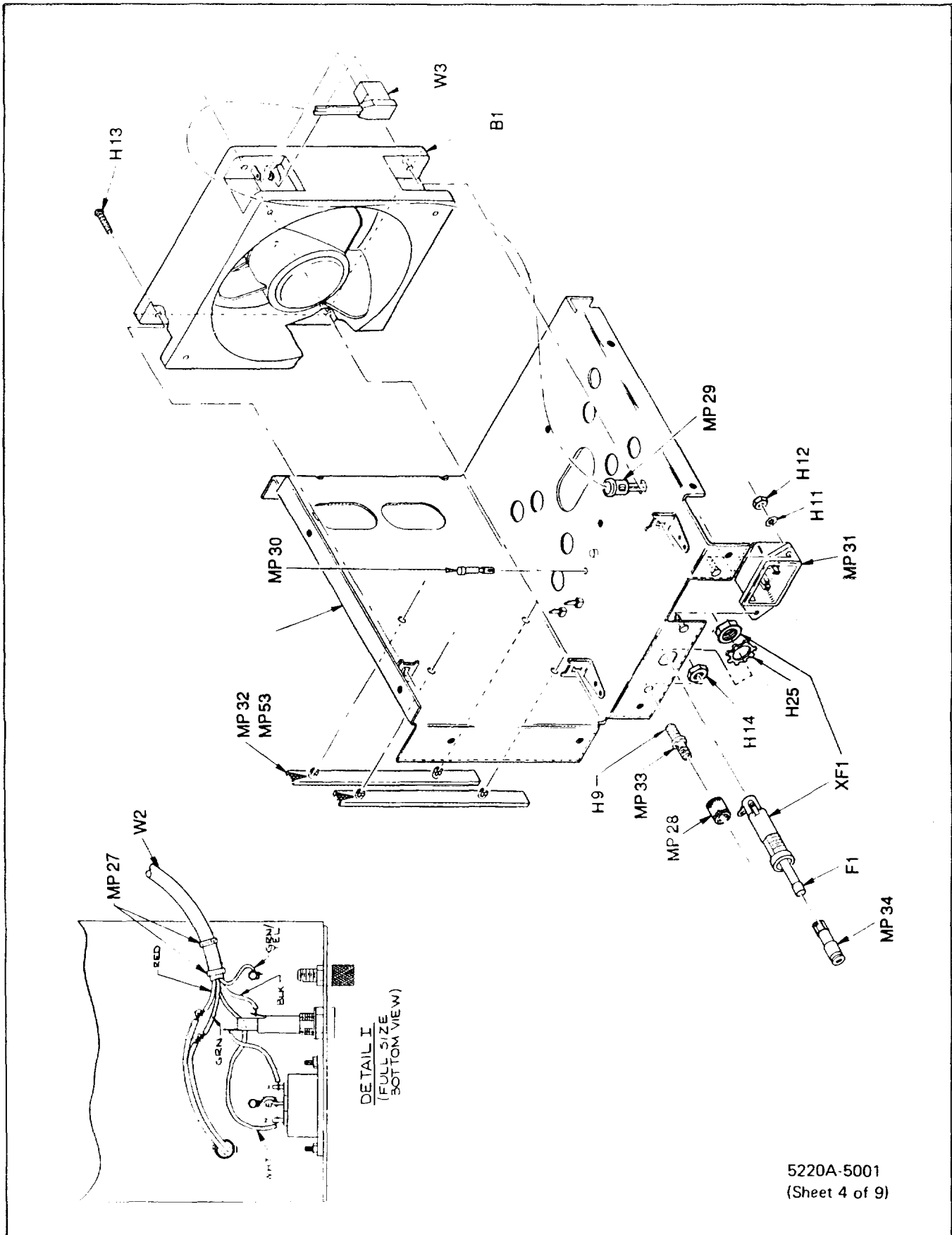
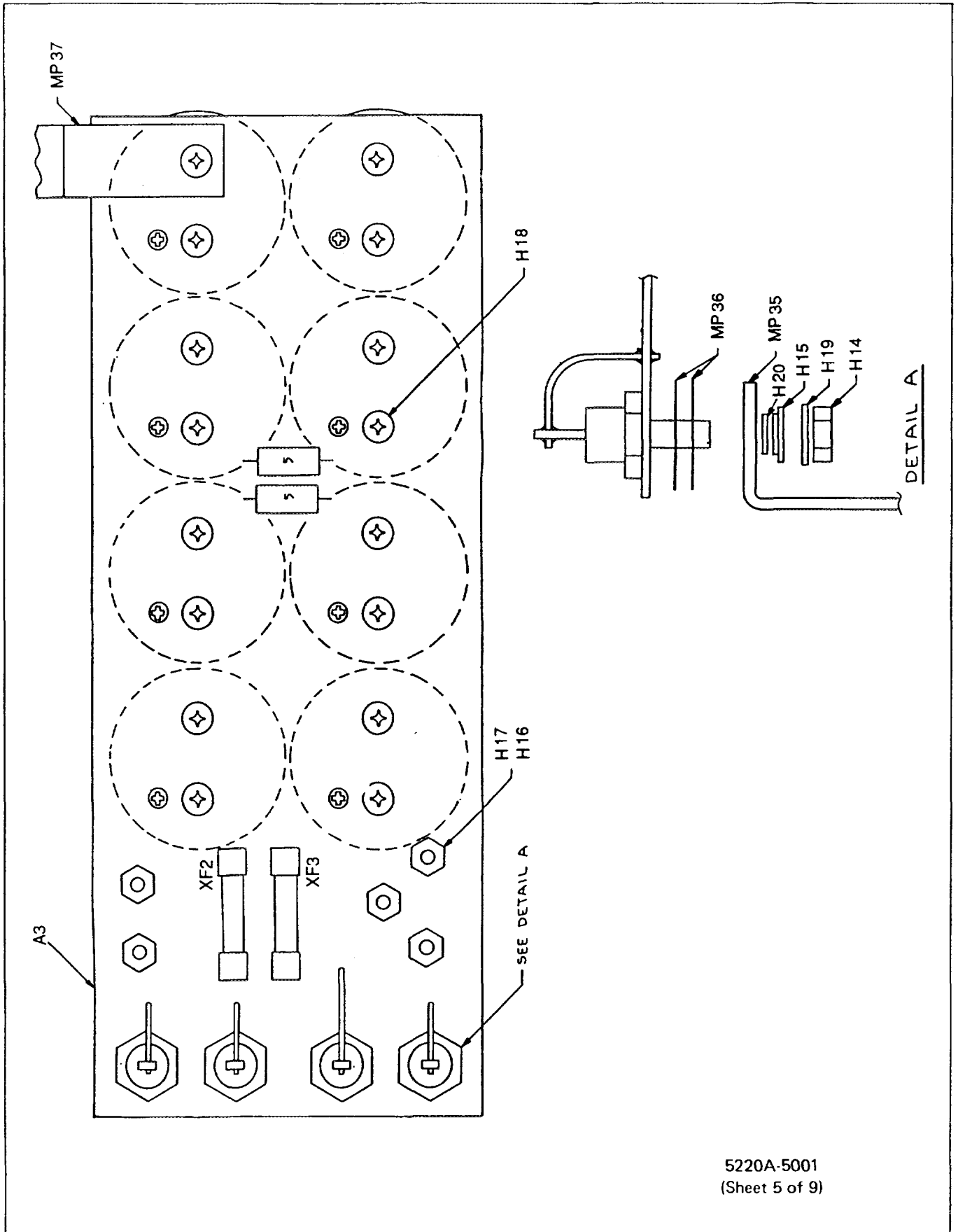


Figure 5-1. 5220A Final Assembly (cont)



5220A-5001
(Sheet 5 of 9)

Figure 5-1. 5220A Final Assembly (cont)

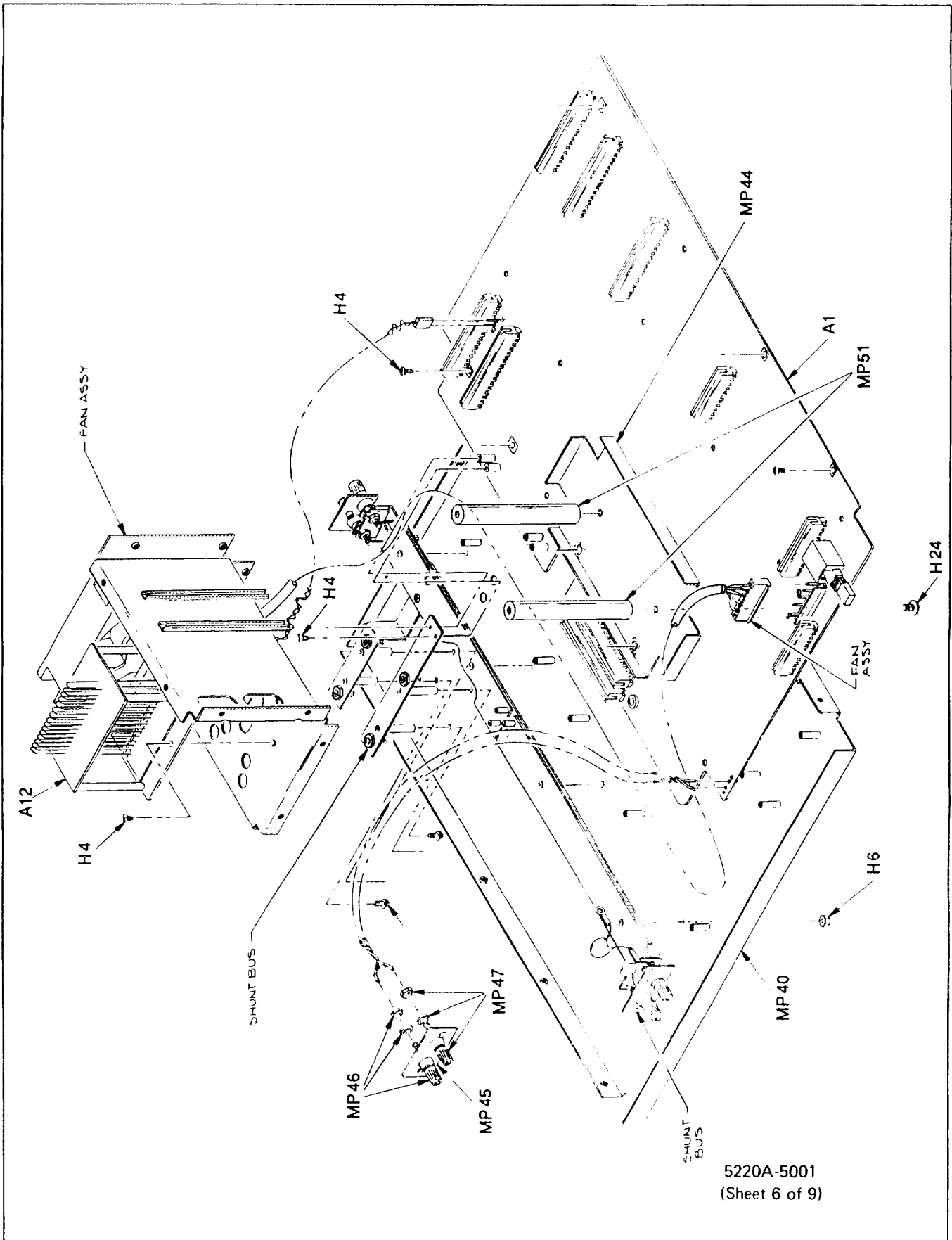
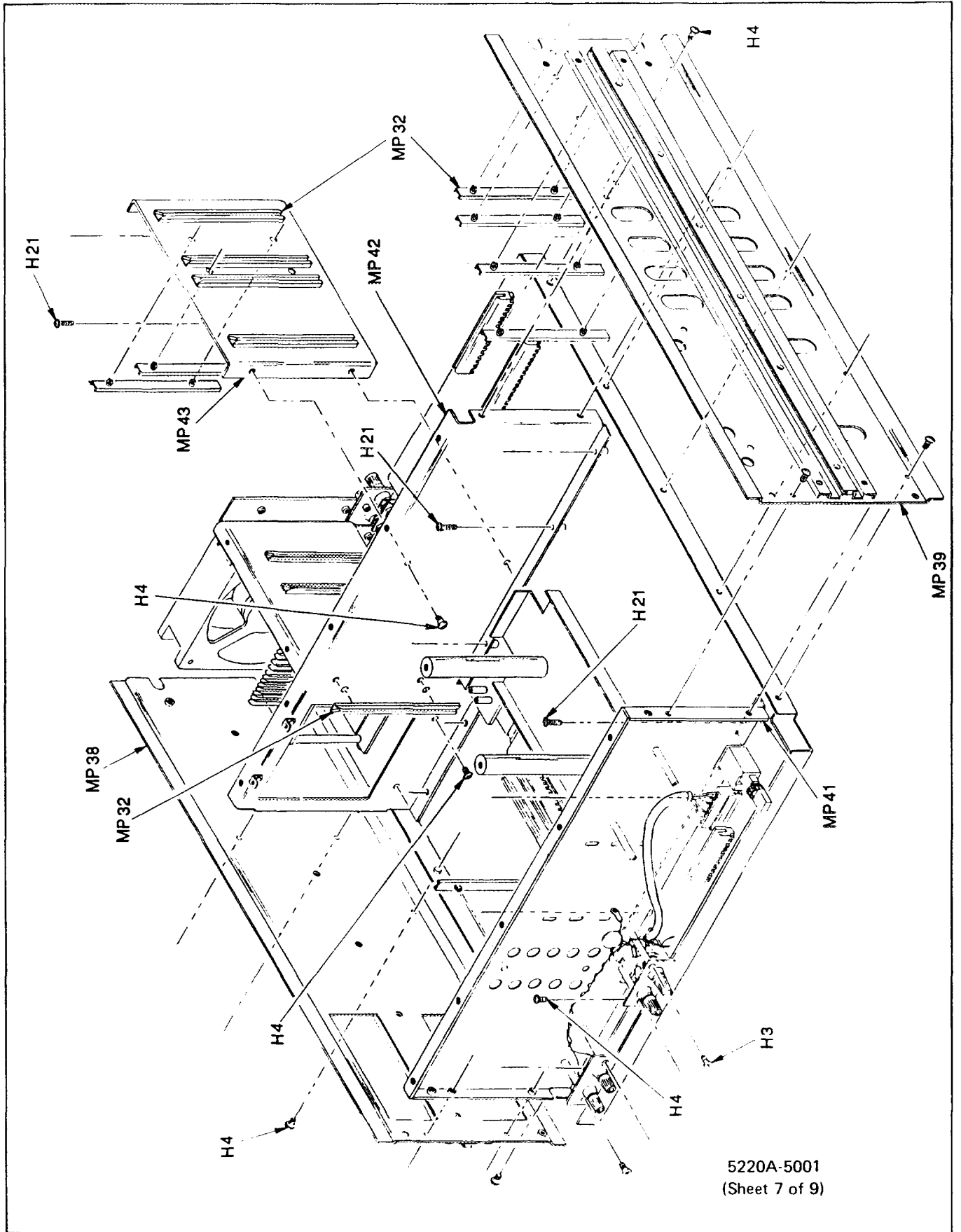


Figure 5-1. 5220A Final Assembly (cont)



5220A-5001
(Sheet 7 of 9)

Figure 5-1. 5220A Final Assembly (cont)

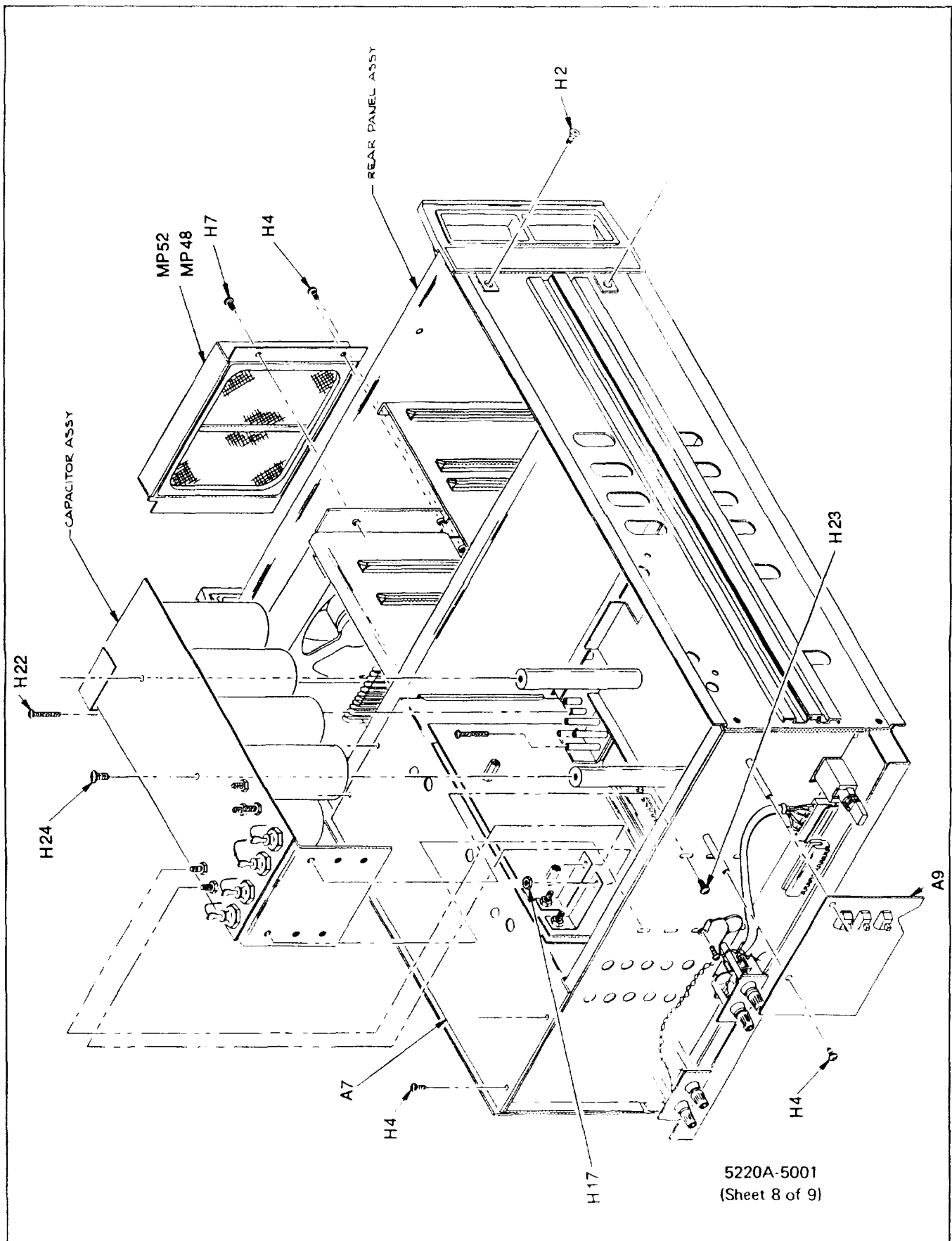


Figure 5-1. 5220A Final Assembly (cont)

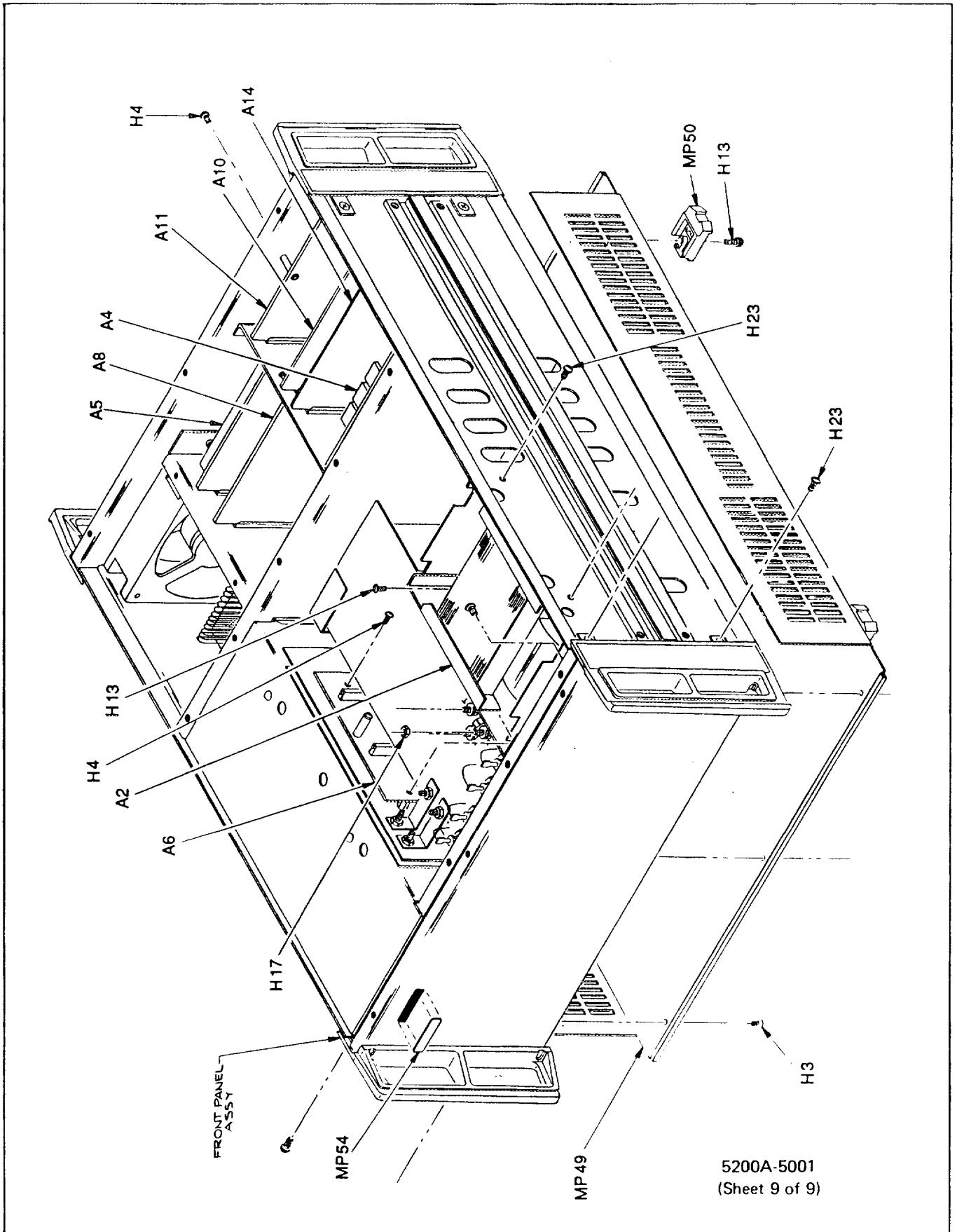


Figure 5-1. 5220A Final Assembly (cont)

Table 5-2. A1 Motherboard PCB Assembly
(See Figure 5-2.)

REFERENCE DESIGNATOR	FLUKE STOCK	MFRS SPLY	MANUFACTURERS PART NUMBER	TOT QTY	N O T
-A>-NUMERICS-----> S-----	NO--	-CODE-	-OR GENERIC TYPE-----	E---	
J 10, 20, 30,	422550	00779	2-583407-0	7	
J 40, 50, 70,	422550				
J 90	422550				
J 1	446724	27264	09-65-1101	1	
J 10, 85	295352	00779	1-583407-3	2	
J 80	459883	00779	583694-4	1	
MP 1	475681	89536	475681	1	
MP 2	419747	89536	419747	1	
MP 3	267500	00779	87623-1	3	
MP 4	424572	00779	530286-2	19	
MP 5	102996	28520	2030	2	
MP 6	284380	9W423	9537B-B-0632	4	
S 4	453605	89536	453605	1	

An * in 'S' column indicates a static-sensitive part.

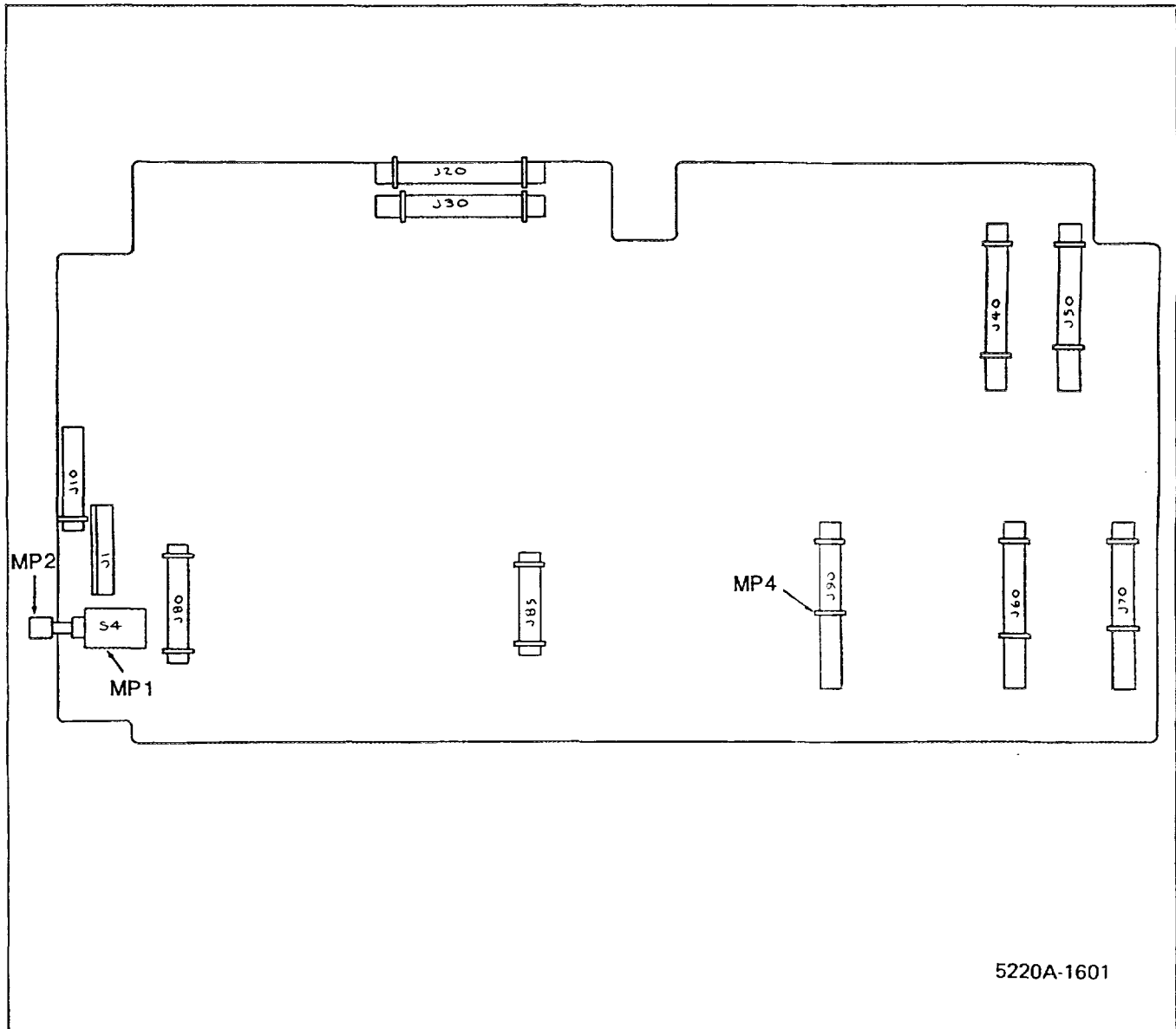
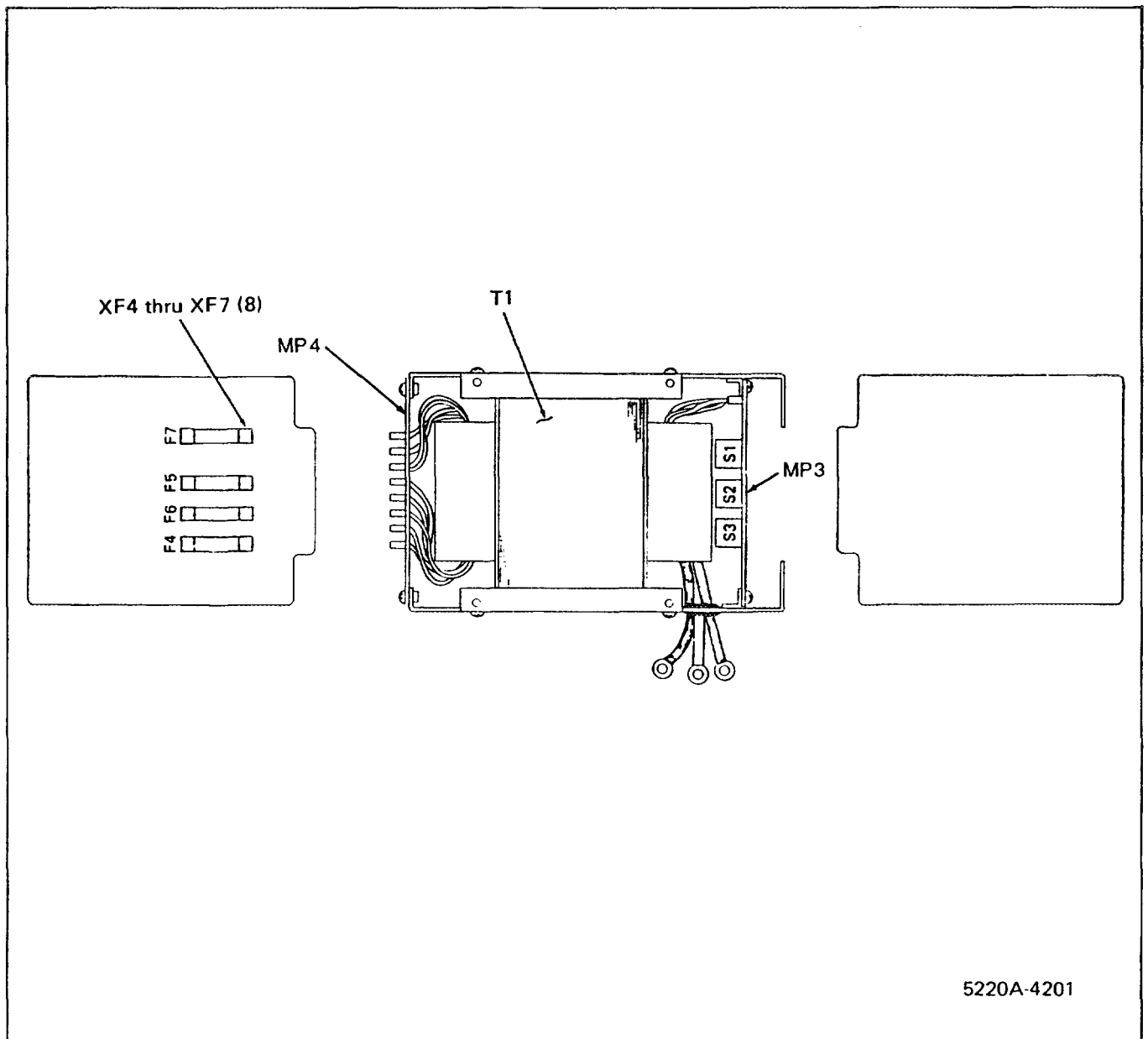


Figure 5-2. A1 Motherboard PCB Assembly

Table 5-3. A2 Power Transformer Assembly
(See Figure 5-3.)

REFERENCE DESIGNATOR	QUANTITY	DESCRIPTION	FLUKE STOCK NO	MFRS SPLY CODE	MANUFACTURERS PART NUMBER OR GENERIC TYPE	TOT QTY	N O T T E
F	4- 7	FUSE, .25X1.25, 0.5A, 250V, SLOW	109322	71400	MDL1-2	4	
H	1	SCREW, MACH, PH, P, STL, 8-32X0.250	228890		COMMERCIAL	8	
H	2	SCREW, MACH, PH, P, STL, 6-32X0.250	152140		COMMERCIAL	8	
MP	1	XFMR PLATE, INBOARD	489468	89536	489468	1	
MP	2	XFMR PLATE, OUTBOARD	489476	89536	489476	1	
MP	3	FWD XFMR TERMINATOR, ASSY	660217	89536	660217	1	
MP	4	AFT XFMR TERMINATOR, ASSY	660225	89536	660225	1	
MP	5	GROMMET, SLOT, RUBBER, .750, .875	380782	83478	68	1	
S	1- 3	SWITCH, SLIDE, DPDT, POWER	234278	82389	11A1297A	3	
T	1	POWER TRANSFORMER	477000	89536	477000	1	
XF	4- 7	FUSE, CLIP, PCB, 1/4X1-1/4	756460	75915	122088	8	

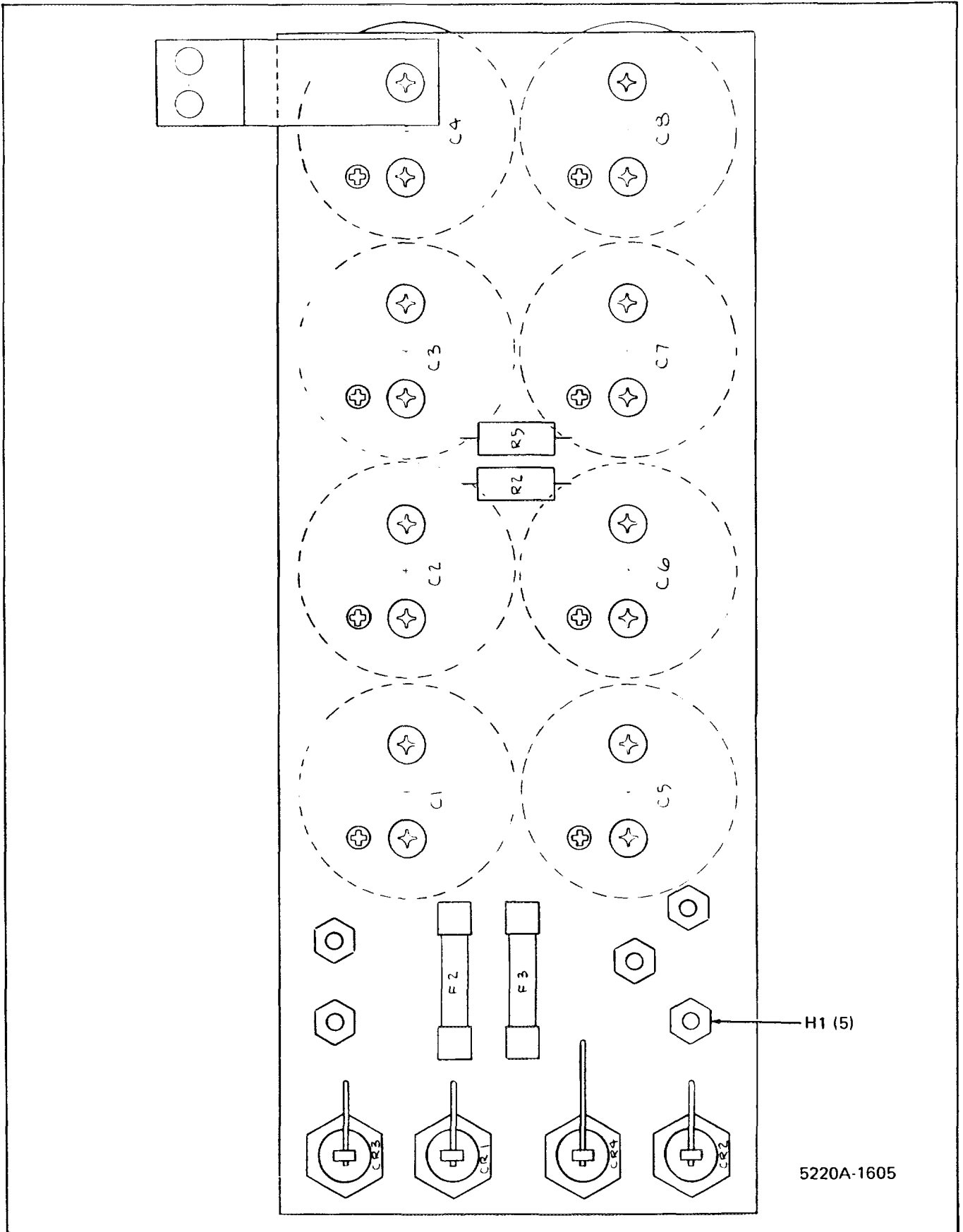


5220A-4201

Figure 5-3. A2 Power Transformer Assembly

Table 5-4. A3 Capacitor Bus PCB Assembly
(See Figure 5-4.)

REFERENCE DESIGNATOR		FLUKE STOCK	MFRS SPLY	MANUFACTURERS PART NUMBER	TOT QTY	N O T E
-A>-NUMERICS----->	S-----DESCRIPTION-----	--NO--	-CODE-	-OR GENERIC TYPE-----	-E-	
C 1- 8	CAP,AL,50000UF,+100-10%,15V,HI TERM	423525	56289	360X503G015BC2B	8	
CR 1, 3	DIODE,SI,50 PIV,20.0 AMP	483206	04713	1N1183	2	
CR 2, 4	DIODE,SI,50 PIV,20.0 AMP	483214	04713	1N1183RA	2	
F 2, 3	FUSE,.25X1.25,30A,32V,FAST	500793	71400	BK/AGC30X	2	
H 14	NUT,MACH,HEX,BR,1/4-28	110619	COMMERCIAL		9	
H 15	WASHER,SHLDR,FIBER,0.250 ID	110833	COMMERCIAL		4	
H 16	SCREW,MACH,PH,P,STL,8-32X0.500	159749	COMMERCIAL		5	
H 17	NUT,MACH,HEX,STL,8-32	110544	COMMERCIAL		10	
H 18	SCREW,MACH,PH,P,STL,10-32X0.375	114314	COMMERCIAL		16	
H 19	WASHER,FLAT,STL,.265,.500,.031	110718	COMMERCIAL		4	
H 20	WASHER,FLAT,TEFLON,0366X0.266X0.050	543314	COMMERCIAL		4	
MP 35	HEATSINK, DIODE	502179	89536	502179	1	
MP 36	INSUL PART,DIODE,SILICONE,WASHER	500785	55285	7403-09FR-25	4	
MP 37	BUS, CAPACITOR	497982	89536	497982	1	
R 2, 5	RES,CC,100,+10%,2W	109934	01121	HBI011	2	
XF 2, 3	FUSE,CLIP,PCB,1/4X1-1/4	756460	75915	122088	4	



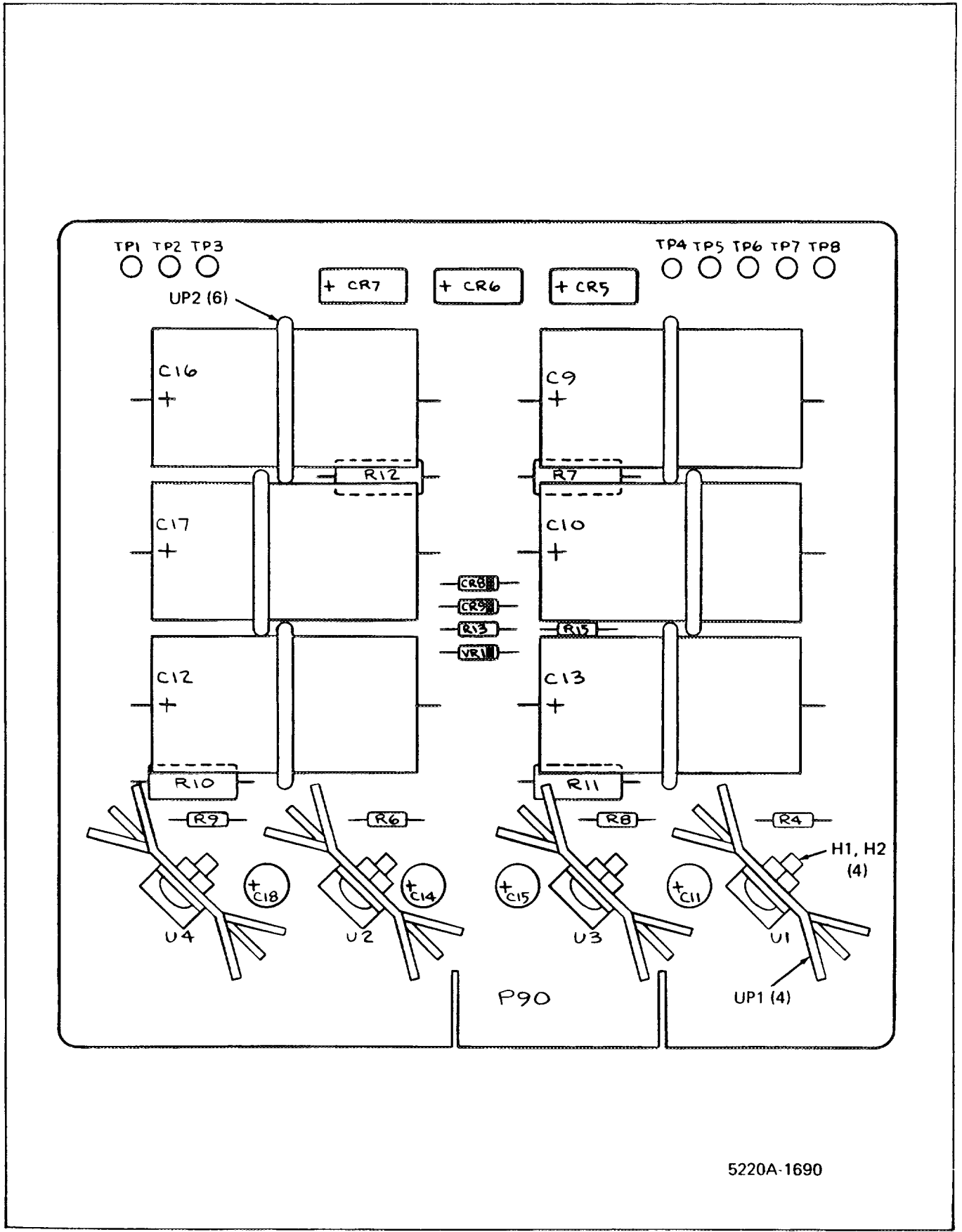
5220A-1605

Figure 5-4. A3 Capacitor Bus PCB Assembly

Table 5-5. A4 Regulator PCB Assembly
(See Figure 5-5.)

REFERENCE DESIGNATOR	FLUKE STOCK	MFRS SPLY	MANUFACTURERS PART NUMBER	TOT QTY	N O T
-A>-NUMERICS-----> S-----DESCRIPTION-----	--NO--	-CODE-	-OR GENERIC TYPE-----	QTY--	-E--
C 9, 10, 16,	379370	62643	SM16T-4700	4	
C 17	379370				
C 11, 14, 15,	357780	31433	T361B226M025AS	4	
C 18	357780				
C 12, 13	392720	62643	SM25T-2200	2	
CR 5- 7	392910	21845	F903B-21G	3	
CR 8, 9	203323	07910	1N4448	2	
H 1	185918		COMMERCIAL	4	
H 2	110635		COMMERCIAL	4	
MP 1	386235	13103	6032D	4	
MP 2	172080	06383	SST 1M	6	
R 4, 6, 9,	348920	80031	1-4-5P100K	4	
R 15	348920				
R 7, 12	109462	01121	GB2211	2	
R 8	343426	80031	1-4-5P1K	1	
R 10, 11	109371	01121	GB1021	2	
R 13	348862	80031	1-4-5P18K	1	
TP 1- 8	179283	88245	2010B-5	8	
U 1, 4	355107	04713	MC7805CT	2	
U 2	413187	04713	MC7815CT	1	
U 3	413179	04713	MC7915CT	1	
VR 1	180455	04713	1N7491A	1	

An * in 'S' column indicates a static-sensitive part.



5220A-1690

Figure 5-5. A4 Regulator PCB Assembly

Table 5-6. A5 Preamplifier PCB Assembly
(See Figure 5-6.)

REFERENCE DESIGNATOR	FLUKE STOCK	MFRS SPLY	MANUFACTURERS PART NUMBER	TOT QTY	N O T
-A>-NUMERICS--> S-----DESCRIPTION-----	--NO--	-CODE-	-OR-GENERIC TYPE-----	----	-E--
C 1, 2	148452	09023	CD15FD271J0	2	
C 3, 5, 6,	309849	31433	C330C224M5U5CA	7	
C 8- 11	309849				
C 4	758029	52769	GEN42000	1	
C 7	160325	14655	CD15FD392J0	1	
C 12	330662	12954	D10GS2820M	1	
C 13	277202	14655	CD15ED430D0	1	
C 15	148353	09023	CD19FD182J0	1	
CR 1, 2, 6	203323	07910	1N4448	3	
CR 3- 5	375907	07263	FD7222	3	
E 1, 2, 3	816090	89536	816090	3	
H 1	178533	COMMERCIAL		4	
K 1, 2	424408	15636	R5779-1	2	
MP 1	306084	9W423	9537B-B-0632	4	
MP 2	486001	89536	486001	1	
MP 3	285353	71590	J76114 (PCS-093)	2	
Q 1	393314	17856	J2086	1	
Q 2	478099	06665	MAT-01GH	1	
Q 3	329698	07263	2N2484	1	
R 1, 2	502625	89536	502625	1	
R 3	267849	32997	3009P-1-501	1	
R 4	291419	91637	MFF1-86042F	1	
R 5, 7	502617	89536	502617	1	
R 6	267864	80294	3009P-1-202	1	
R 8	289470	91637	MFF1-82153F	1	
R 9	168229	91637	MFF1-81001F	1	
R 10, 20	348920	80031	1-4-5P100K	2	
R 11, 12	291088	80031	5033RE100R03KF	2	1
R 13			RES, FACTORY SELECTED		2
R 14	248807	91637	MFF1-81003F	1	
R 15	294892	91637	MFF1-88250F	1	
R 16	168260	91637	MFF1-81002F	1	
R 17, 18	340075	80031	1-4-5P10E	2	
R 19	288506	91637	MFF1-84220F	1	
R 21, 23	343426	80031	1-4-5P1K	2	
R 22	441378	80031	1-4-5P1K2	1	
R 24	348888	80031	1-4-5P33K	1	
TP 1- 14	179283	88245	2010B-5	14	
U 1	248906	04713	MC3346F	1	
U 2	429837	12040	LF365BE	1	
U 3	507475	03911	CL8503M	1	
U 4	404681	04713	MC1409BCP	1	

An * in 'S' column indicates a static-sensitive part.

NOTE 1 = R11 and R12 is Factory Selected. See Chapter 4-81. Table 4-4.

Note 2 = R13 may or may not be installed as Factory Selected. See Chapter 4-81. Table 4-5.

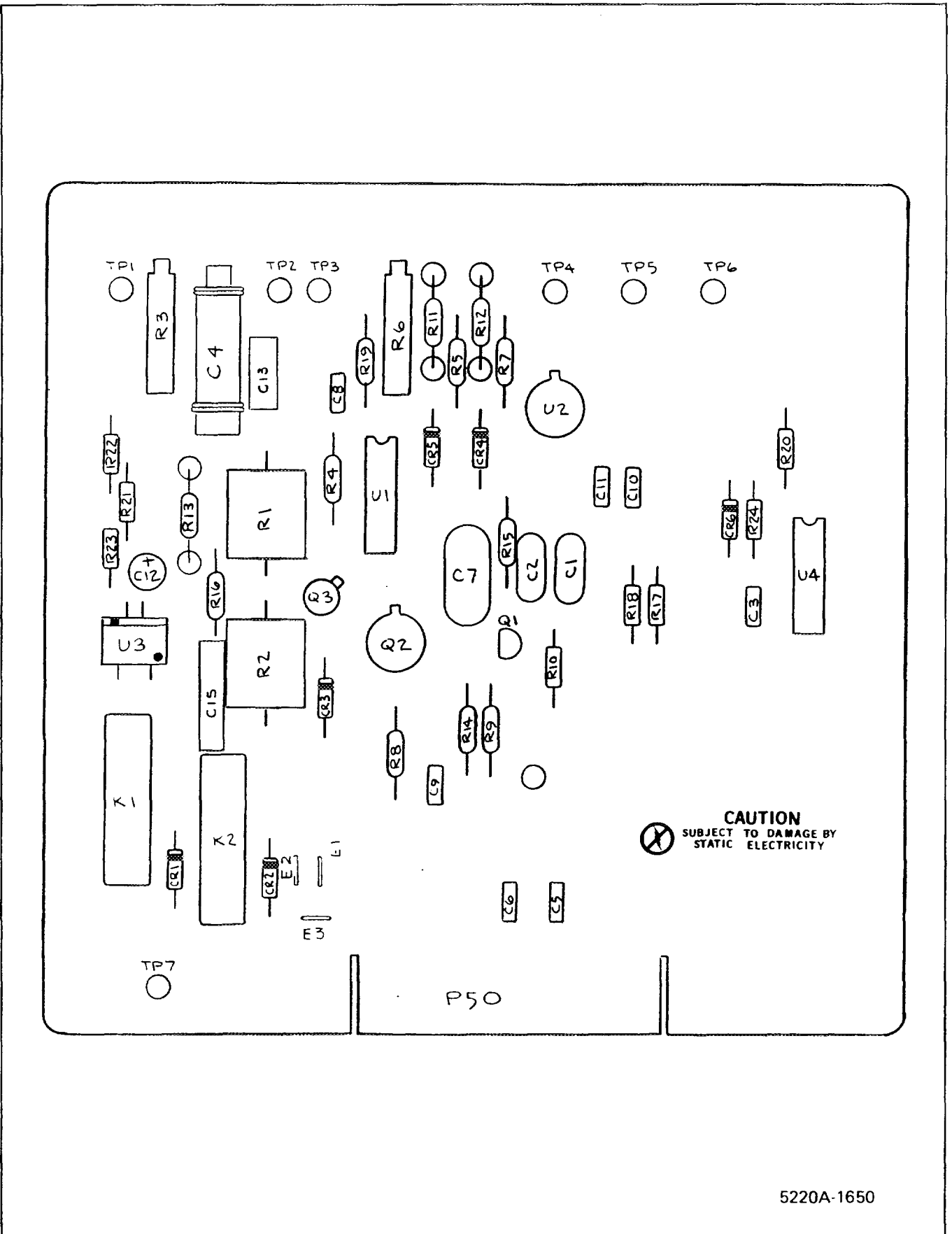


Figure 5-6. A5 Preamplifier PCB Assembly

Table 5-7. A6 Driver PCB Assembly
(See Figure 5-7.)

REFERENCE DESIGNATOR	FLUKE STOCK	MFRS SPLY	MANUFACTURERS PART NUMBER	TOT	N O T
-A>-NUMERICS-----> S-----DESCRIPTION-----	--NO--	-CODE-	-OR GENERIC TYPE-----	QTY--	-E---
C 1	267120	80031	719A10CB273PK251SA	1	
C 2	363713	56289	196D685X0035KA1	1	
C 3, 4	105890	60705	561CR3LCK102EG181K	2	
C 5	175232	60705	562C0E0CK101AE502M	1	
C 6	408682	56289	196D227X0006KE4	1	
C 7	149146	60705	565C250BA101AW104M	1	
CR 1	334714	15818	TCR513	1	
CR 2	203323	07910	1N4448	1	
H 1	114215	COMMERCIAL		1	
H 2	110551	COMMERCIAL		1	
MP 1	100966	55566	1132 6 A 22	1	
Q 1	229898	07263	MPS6522	1	
Q 2- 4	218081	04713	MPS 6520	3	
Q 5, 9, 10	402586	04713	2N2905A	3	
Q 6, 7, 11	261578	89536	261578	3	
Q 8, 12	346916	07263	2N2219A	2	
R 1- 3	343426	80031	1-4-5P1K	3	
R 4, 5	294835	91637	MFF1-85230F	2	
R 6	344135	80294	3009P-1-100	1	
R 7, 23	348920	80031	1-4-5P100K	2	
R 8	325639	91637	MFF1-81910F	1	
R 9, 12	385948	80031	5043C225560ROJ	2	
R 10	376624	59124	CF1-4 241J	1	
R 13	267823	32997	3009P-1-101	1	
R 14, 16	320309	91637	MFF1-86040F	2	
R 15	375899	91637	MFF1-83830F	1	
R 17	288555	91637	MFF1-89530F	1	
R 18, 24	168195	91637	MFF1-81000F	2	
R 19, 25	414540	59124	CF1-4510JB	2	
R 20	348771	80031	1-4-5P100E	1	
R 21, 22	296681	91637	MFF1833R2F	2	
R 26, 27	236844	91637	MFF1-820ROF	2	
R 28, 29	368761	80031	1-4-5P6K8	2	
R 30, 31	108092	01121	EB1011	2	
TP 1- 4	179283	88245	2010B-5	4	
VR 1, 2	180455	04713	1N7491A	2	

An * in 'S' column indicates a static-sensitive part.

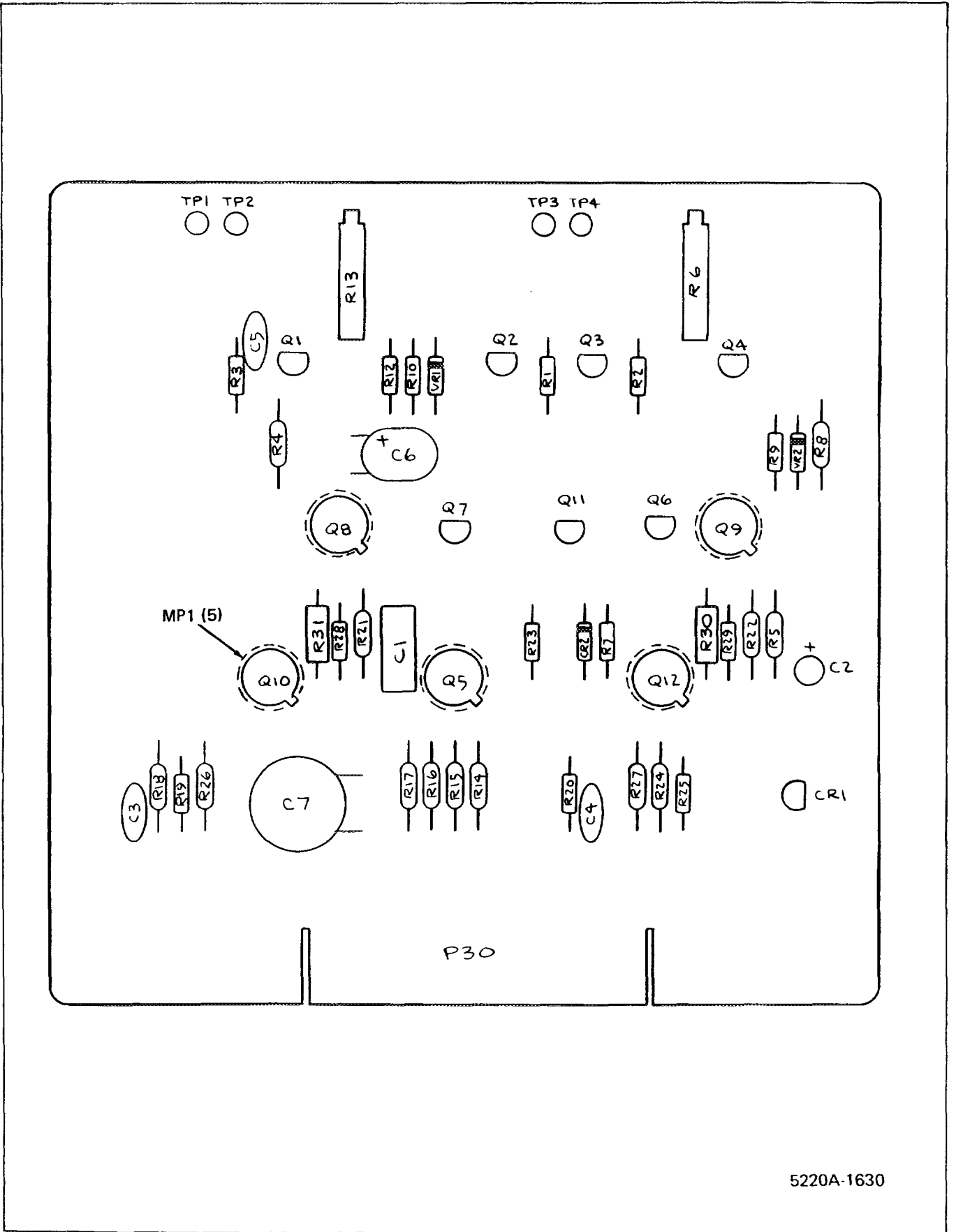


Figure 5-7. A6 Driver PCB Assembly

5220A-1630

Table 5-8. A7 Output PCB Assembly
(See Figure 5-8.)

REFERENCE DESIGNATOR	FLUKE STOCK	MFRG SPLY	MANUFACTURERS PART NUMBER	TOT QTY	N O T	
-A>-NUMERICS-----> S-----	DESCRIPTION-----	--NO--	-CODE- -OR GENERIC TYPE-----	QTY--	-E--	
H 1			SCREW,MACH,PH,P,STL,4-40X0.375	152124	COMMERCIAL	2
H 2			WASHER,LOCK,INTRNL,STEEL,#4	110403	COMMERCIAL	2
H 3			NUT,HEX,S.STL,4-40	147611	COMMERCIAL	2
H 4			SCREW,MACH,PH,P,STL,6-32X0.250	152140	COMMERCIAL	2
H 5			SCREW,MACH,PH,P,STL,6-32X0.750	114223	COMMERCIAL	8
H 6			WASHER,LOCK,INTRNL,STEEL,#6	110338	COMMERCIAL	1
H 7			NUT,HEX,STL,6-32	110551	COMMERCIAL	1
H 8			SCREW,MACH,PH,P,STL,8-32X0.375	114124	COMMERCIAL	8
H 9			NUT,MACH,HEX,STL,8-32	110544	COMMERCIAL	2
H 10			SCREW,MACH,PH,P,STL,4-40X0.312	152116	COMMERCIAL	1
MP 1			OUTPUT PCB BRKT	489567	89536 489567	1
MP 2			FIN, HEATSINK	489880	89536 489880	1
MP 3			PLATE, TEMP. SENSE	489898	89536 489898	1
MP 4			BUS, OUTPUT PCB	502161	89536 502161	2
MP 5			OUTPUT CHAMBER	485961	89536 485961	1
MP 6			DEFECTOR FIN, HEATSINK	489518	89536 489518	1
MP 7			SPACER,SWAGED,HEX,BRASS,6-32X0.625	181727	9W423 9632B-B-0632	2
MP 8			SPACER,SWAGED,RND,BRASS,6-32X0.187	351882	9W423 9533B-B-0632	8
MP 9			INSUL PART,TRANS,ALUM,TO-3	477802	13103 4703A	4
MP 10			SOCKET,SINGLE,PWB,FOR 0.018-0.040 PIN	348201	00779 1-380737-0	8
MP 11			HEATS DIS,W/BEO WASHER,TO-5	407262	13103 1130	1
MP 12			SPACER,TRANSISTOR MOUNT,DAP	152207	07047 10123-DAP	1
MP 13			WASHER,FLAT,NYLON,0.257IDX0.500X0.093	682385	89536 682385	1
MP 14			PLASTIC PART,HOLE PLUG,POLYETH,.312	187799	82240 B-2378	2
MP 15			WASHER,SHLDR,NYLON,.113,.245	485417	86928 5607-50	3
MP 16			INSUL PT,TRANSISTOR,FILM,TO-220	412809	89536 412809	1
Q 101	*		TRANSISTOR,SI,BV=45V,27W,TO-220	325753	09214 D45C5	1
Q 102	*		TRANSISTOR,SI,BV= 45V, 30W,TO-220	325761	09214 D44C5	1
Q 103,104	*		TRANSISTOR,SI,BV=60V,200W,TO-3	483222	04713 1N5883	2
Q 105,106	*		TRANSISTOR,SI,BV=60V,200W,TO-3	483230	04713 2N5885	2
Q 107	*		TRANSISTOR,SI,PNP,SMALL SIGNAL	402586	04713 2N2905A	1
R 101-107			RES,CF,1K,+5%,0.25W	343426	80031 1-4-5P1K	7
R 108,109			RES,CC,5.1,+5%,0.5W	177147	01121 EB5R15	2
R 110-113			RESISTOR .086< 4 TERMINAL 1 WATT	490771	89536 490771	4
R 114,115			RES,WW,2.4,+5%,2W	219337	74902 SPH2R4 5%	2
S 101			THERMO,NO230+-8F,NC200+-8F,15A/120VAC	344002	14604 3450	1
TP 1- 7			TERM,UNINSUL,FEEDTHRU,HOLE,TURRET	179283	88245 2010R-5	7
XQ 101,102			SOCKET,TRANS,3 PIN	402958	27264 10-18-2031	2

An * in 'S' column indicates a static-sensitive part.

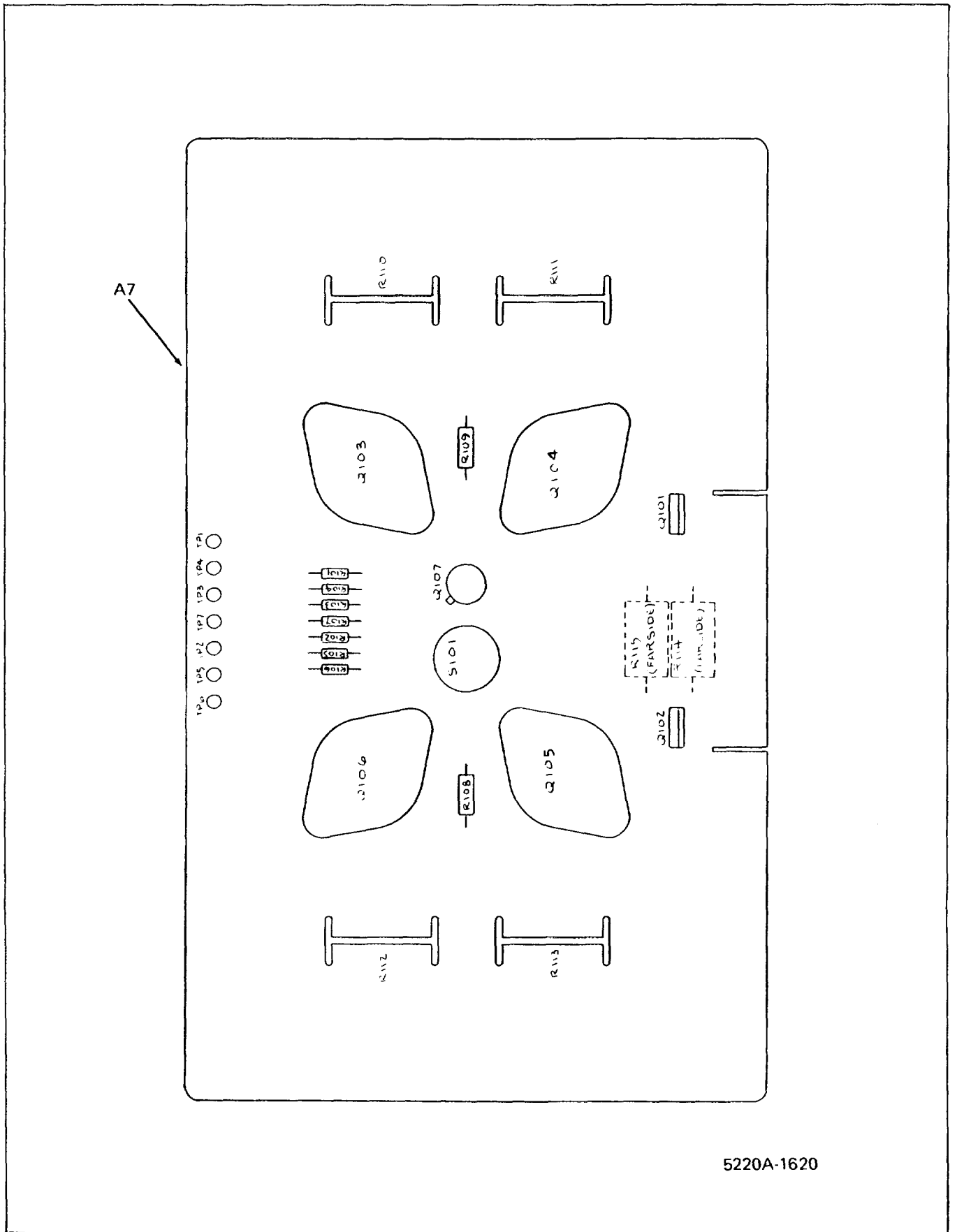
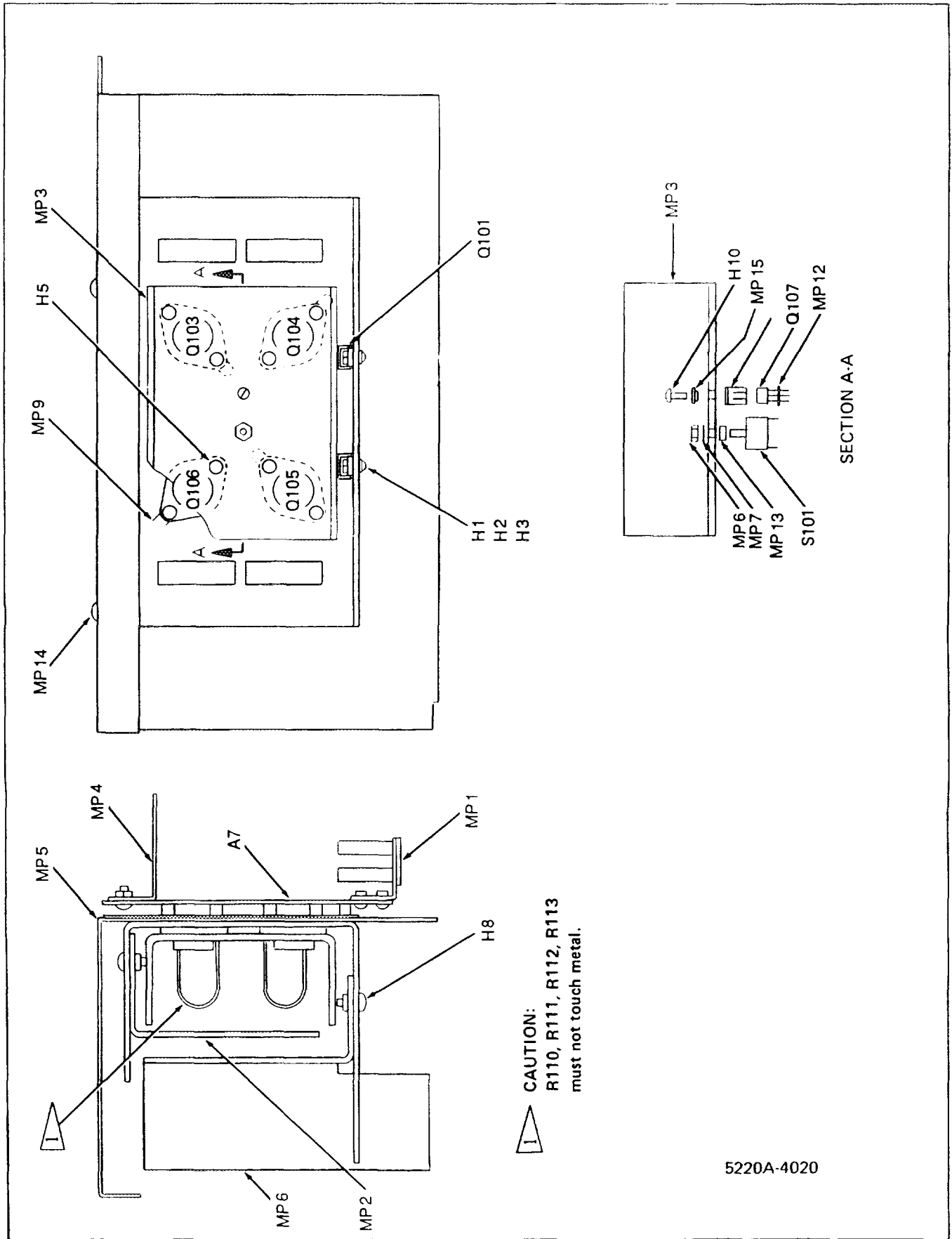


Figure 5-8. A7 Output PCB Assembly



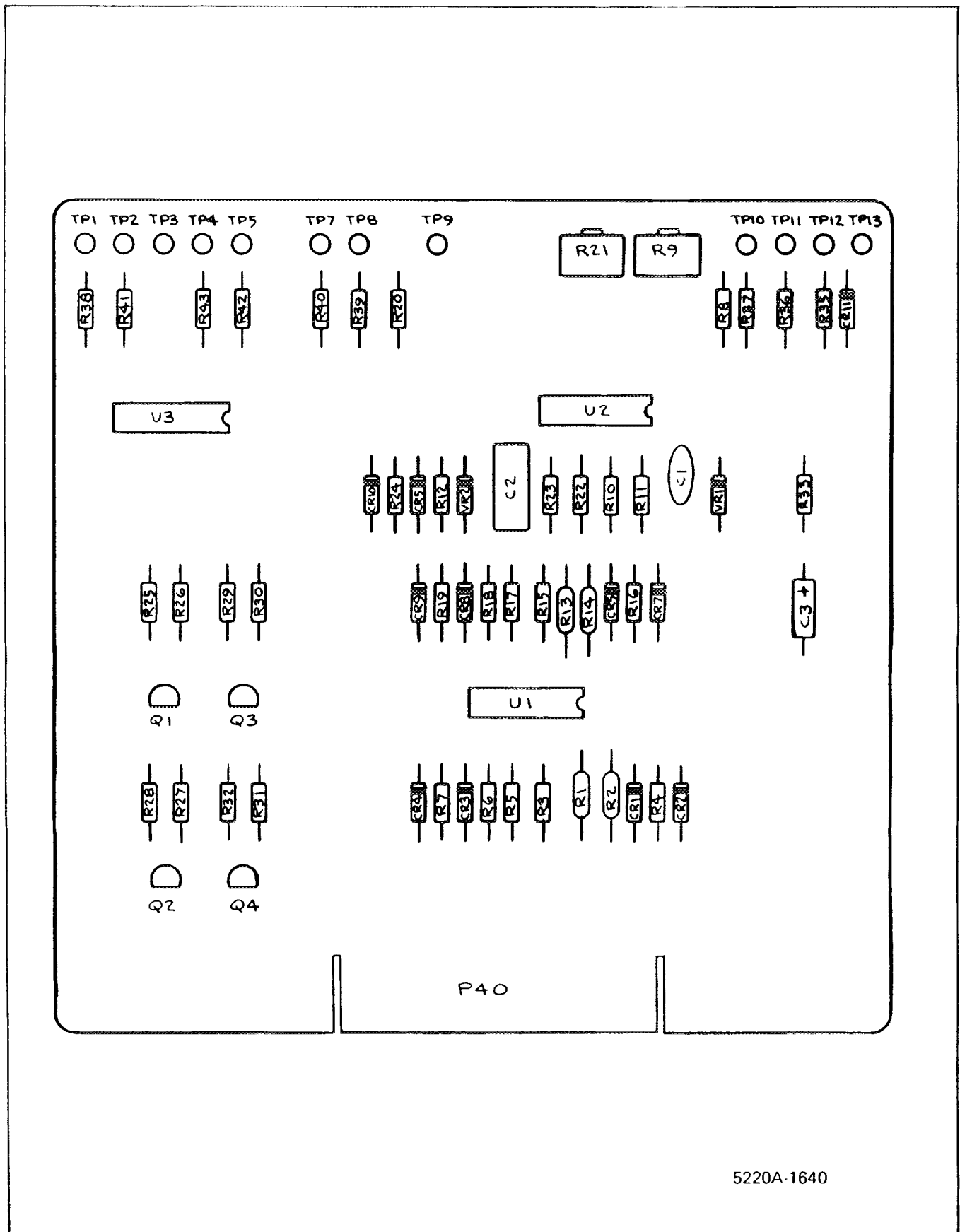
5220A-4020

Figure 5-8. A7 Output PCB Assembly (cont)

Table 5-9. A8 Analog Control PCB Assembly
(See Figure 5-9.)

REFERENCE DESIGNATOR	FLUKE STOCK	MFRS SPLY	MANUFACTURERS PART NUMBER	TOT	N O T
-A>-NUMERICS-----> S-----DESCRIPTION-----	--NO--	-CODE-	-OR GENERIC TYPE-----	QTY--	-E---
C 1	853650	89536	853650	1	
C 2	436113	13050	4308B224K	1	
C 3	182790	31433	T310A684K035AS	1	
CR 1- 10	348177	07263	FD7222	10	
CR 11	203323	65940	1N4448	1	
Q 1, 3	195974	04713	2N3906	2	
Q 2, 4	218396	04713	2N3904	2	
R 1, 2	248807	91637	CMF1003F	2	
R 3	376434	65940	R52J513	1	
R 4, 6, 7,	348839	65940	R25J103	11	
R 16- 19, 25,	348839				
R 28, 29, 32	348839				
R 5, 10, 27,	348920	57668	R25J100KOHM	12	
R 31, 35- 42	348920				
R 8	348912	65940	R25J823	1	
R 9	288308	32997	3386S-1-104	1	
R 11	441535	65940	R25JB304K	1	
R 12, 24, 43	343426	57668	R25J1K	3	
R 13, 14	168206	91637	CMF1002F	2	
R 15	368712	65940	R25J512	1	
R 20	441691	65940	R25JB912K	1	
R 21	288282	32997	3386S-1-502	1	
R 22	348797	65940	R25JB112	1	
R 23	742475	65940	R25JB394K	1	
R 26, 30	348870	65940	R25J223	2	
R 33	441378	59124	CF1/4-122-5%	1	
TP 1- 5, 7-	179283	88245	2010B-5	12	
TP 13	179283				
U 1, 2	402669	27014	LM324N	2	
U 3	483180	04713	SN74LS14N	1	
VR 1, 2	187195	14552	CD36554	2	

An * in 'S' column indicates a static-sensitive part.



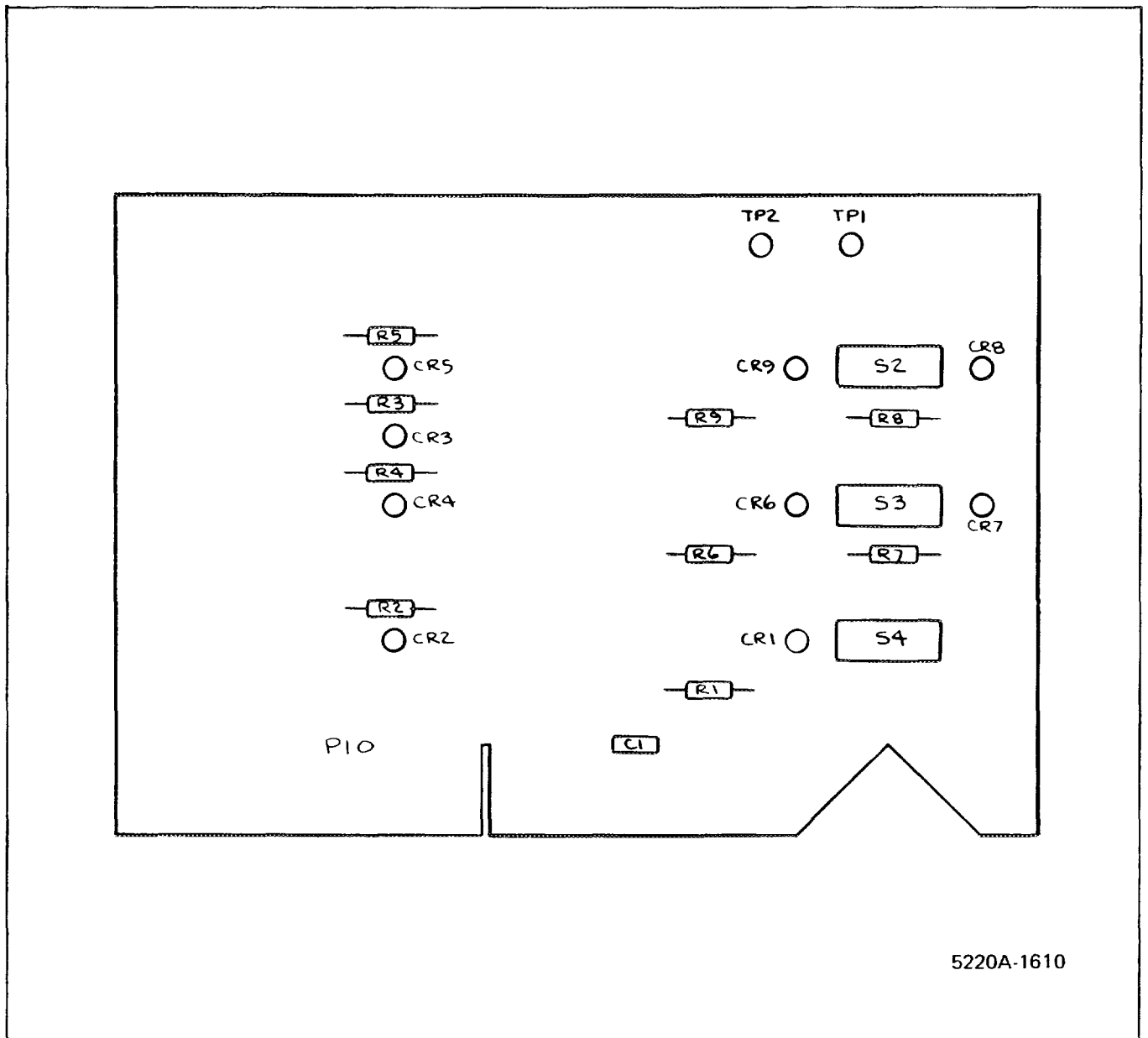
5220A-1640

Figure 5-9. A8 Analog Control PCB Assembly

Table 5-10. A9 Front Panel PCB Assembly
(See figure 5-10.)

REFERENCE DESIGNATOR	QUANTITY	DESCRIPTION	FLUKE STOCK	MFRS SPLY	MANUFACTURERS PART NUMBER OR GENERIC TYPE	TOT QTY	N O T E
-A>-NUMERIC	S	-----	--NO--	-CODE-	-----	---	-E---
C 1		CAP,CER,0.22UF,+20%,50V,25U	309849	31433	C330C224M5U5CA	1	
DS 1- 9		LED,RED,PCB MNT,LUM INT=0.5MCD	369777	28480	HLMP1000	9	
MP 1		COVER, PUSHBUTTON SWITCH	401299	89536	401299	3	
MP 2		SWITCH PART,SPST,SPRING	414516	00779	62312-3	3	
MP 3		SWITCH PART,SPST,FIXED CONTACT	416875	00779	63213-4	3	
MP 4		PUSHBUTTON-SQUARE-, DARK PUTTY GREY	406728	89536	406728	3	
R 1- 9		RES,CF,220,+5%,0.25W	342626	80031	1-4-5P220E	9	
S 1- 3		ACTUATOR, SWITCH	412106	89536	412106	3	
TP 1, 2		TERM,UNINSUL,FEEDTHRU,HOLE,TURRET	179283	88245	2010B-5	2	

An * in 'S' column indicates a static-sensitive part.



5220A-1610

Figure 5-10. A9 Front Panel PCB Assembly

Table 5-11. A10 Logic PCB Assembly
(See figure 5-11.)

REFERENCE DESIGNATOR	FLUKE STOCK	MFRS SPLY	MANUFACTURERS PART NUMBER	TOT QTY	N O T E
-A>-NUMERICS--> S-----DESCRIPTION-----	--NO--	-CODE-	-OR GENERIC TYPE-----	QTY--	-E--
C 1, 3, 4	148494	09023	CD15FD101J0	3	
C 2	161943	56289	196D475X0025KA1	1	
C 5	161927	56289	196D224X0020HA1	1	
C 6- 8	161919	56289	196D105X0035HA1	3	
C 9	423012	56289	196D226X9015KA1	1	
C 10- 14	309849	31433	C330C224M5U5CA	5	
C 15	149153	60705	2DDH61H103ZAH	1	
C 16	161349	56289	196D474X9035HA1	1	
CR 1, 3	203323	07910	1N4448	2	
CR 2	203323	65940	1N4448	1	
R 1, 2, 9,	342626	65940	R25J224	7	
R 10, 15, 16,	342626				
R 19	342626				
R 3- 6, 8,	348839	65940	R25J103	12	
R 11, 12, 14,	348839				
R 17, 18, 20,	348839				
R 21	348839				
R 7	348896	65940	R25J473	1	
R 13, 24	348920	57668	R25J100KOHM	2	
R 22	348839	80031	CR251-4-5P10K	1	
R 23, 25	348821	65940	R25J472	2	
R 26	348920	80031	1-4-5P100K	1	
TP 1, 2	179283	88245	2010B-5	2	
U 1, 4, 5,	454330	50579	ILCT-6-254	4	
U 20	454330				
U 2	404632	04713	MC14093BCP	1	
U 3	404699	12040	CD4069CN	1	
U 6, 19	408401	04713	MC14081BCP	2	
U 7, 10	418830	12040	MM74C74J	2	
U 8, 11	393512	54590	CD4098BE	2	
U 9	355180	04713	MC14025BCP	1	
U 12- 14	393116	04713	SN74LS37N	3	
U 15	329706	01295	SN75452BP	1	
U 16, 17	340117	04713	MC14013CL	2	
U 21	408575	04713	MC14075BCP	1	
U 22	393249	01295	SN74LS194AN	1	
U 23	402610	04713	MC1455P	1	
XU 23	478016	00779	2-640463-1	1	

An * in 'S' column indicates a static-sensitive part.

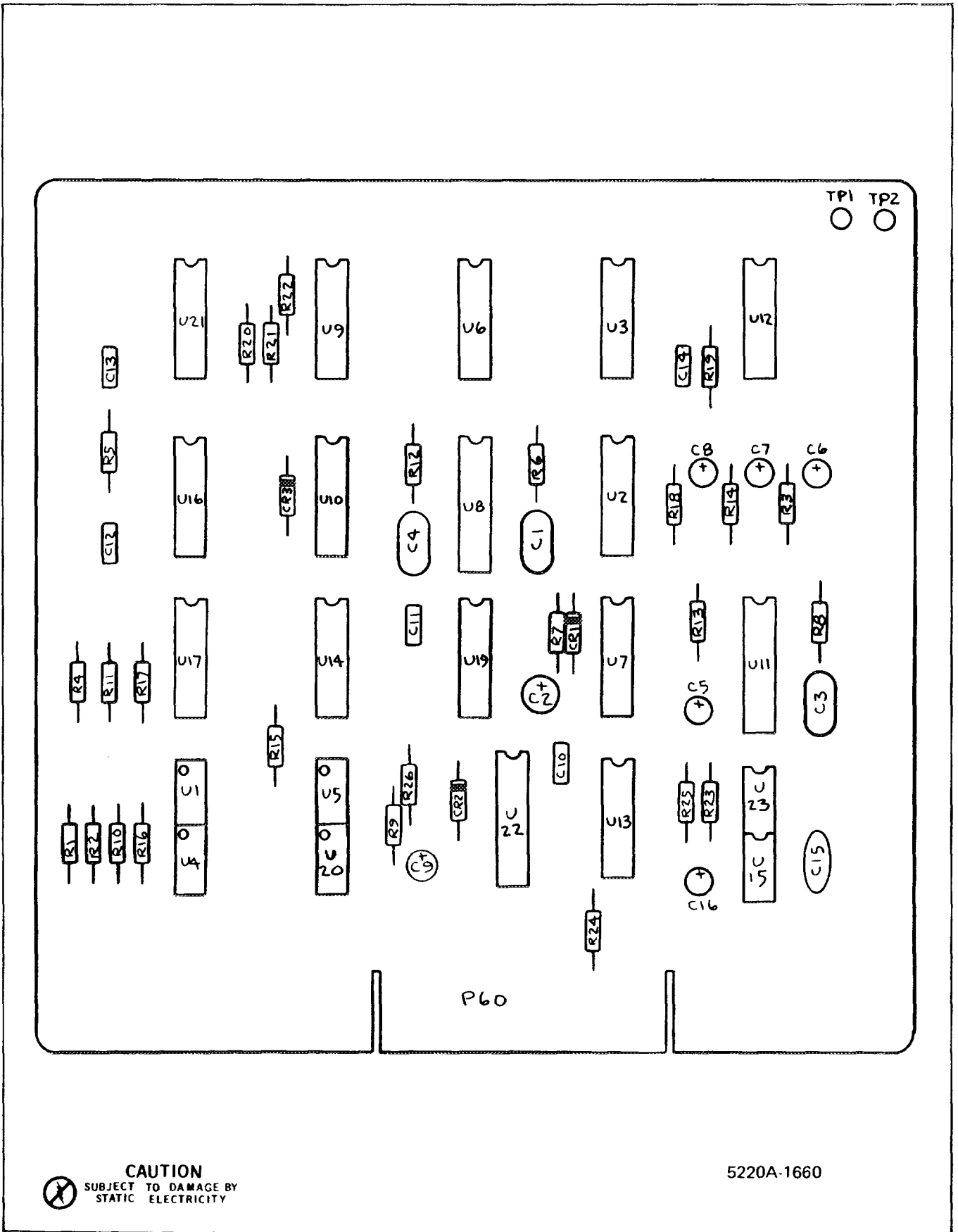


Figure 5-11. A10 Logic PCB Assembly

Table 5-12. All MIS Bus Interface PCB Assembly
(See Figure 5-12.)

REFERENCE DESIGNATOR	FLUKE STOCK	MFRS SPLY	MANUFACTURERS PART NUMBER	TOT	N O T
-A>-NUMERIC>-----S-----DESCRIPTION-----	--NO--	-CODE-	-OR GENERIC TYPE-----	QTY--	-E--
C 1	161943	56289	196D475X0025KA1	1	
C 2	423012	56289	196D226X0015KA1	1	
C 3, 4	309849	31433	C330C224M5U5CA	2	
CR 1	203323	65940	1N4448	1	
H 1	185918	89536	COMMERCIAL	2	
J 71	441337	52500	57-20240-14	1	
MP 1	412700	54492	422-22-11-015	2	
MP 2	412718	54492	463-99-22-205	2	
MP 3	335604	9W423	9533B-B-0440	2	
MP 4	261875	89536	261875	1	
R 1- 12	348839	65940	R25J10N	12	
R 14- 22	343426	57668	R25J1K	9	
R 23	348896	65940	R25J47N	1	
TP 1, 2	179283	88245	2010B-5	2	
U 1	452912	12040	MM74C175N	1	
U 2, 7	394205	04713	SN74LS03N	2	
U 3	404699	12040	CD4069CN	1	
U 4	418509	12040	MM74C00N	1	
U 5	418244	12040	MM74C10N	1	
J 6	393116	04713	SN74LS03N	1	

An * in 'S' column indicates a static-sensitive part.

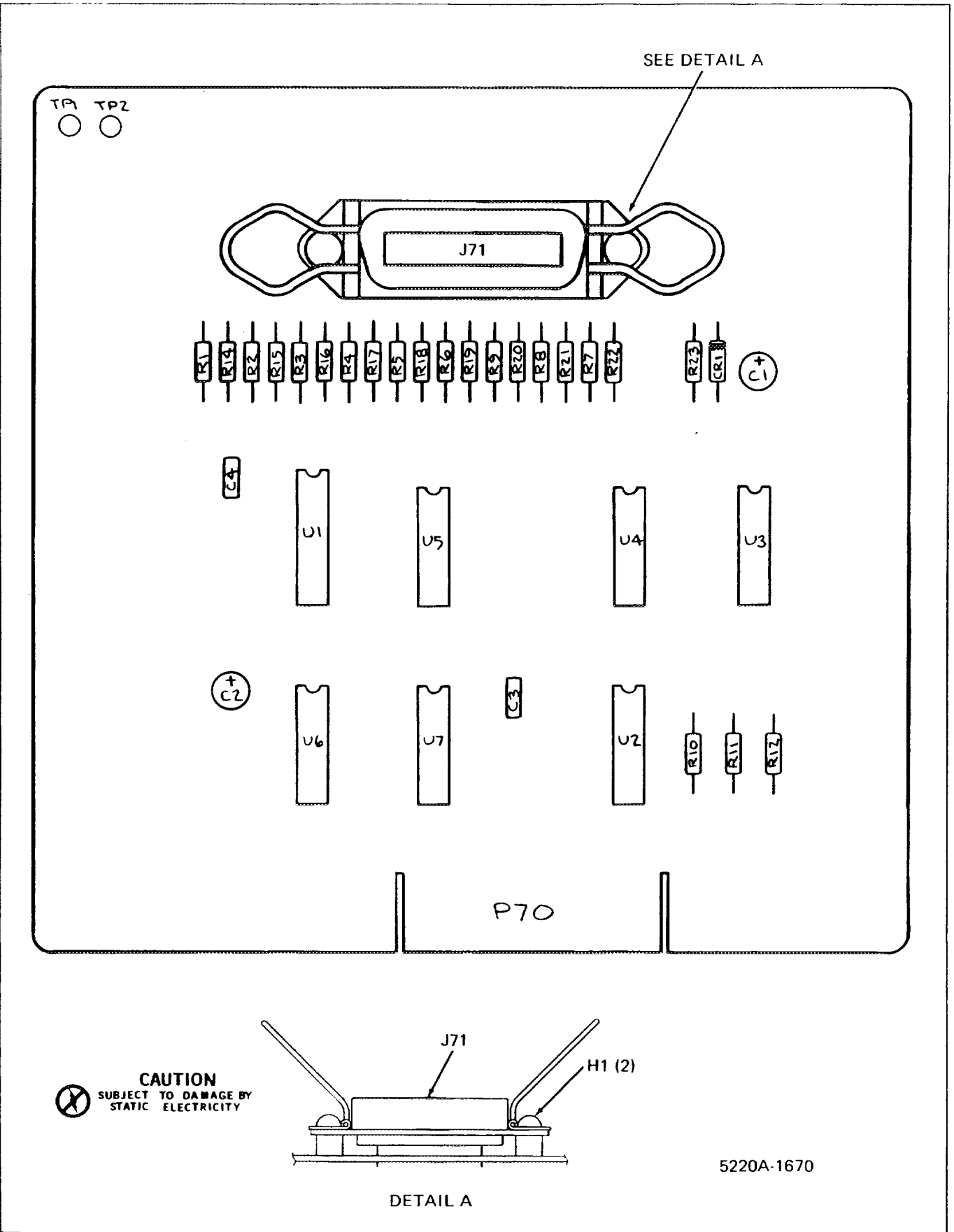


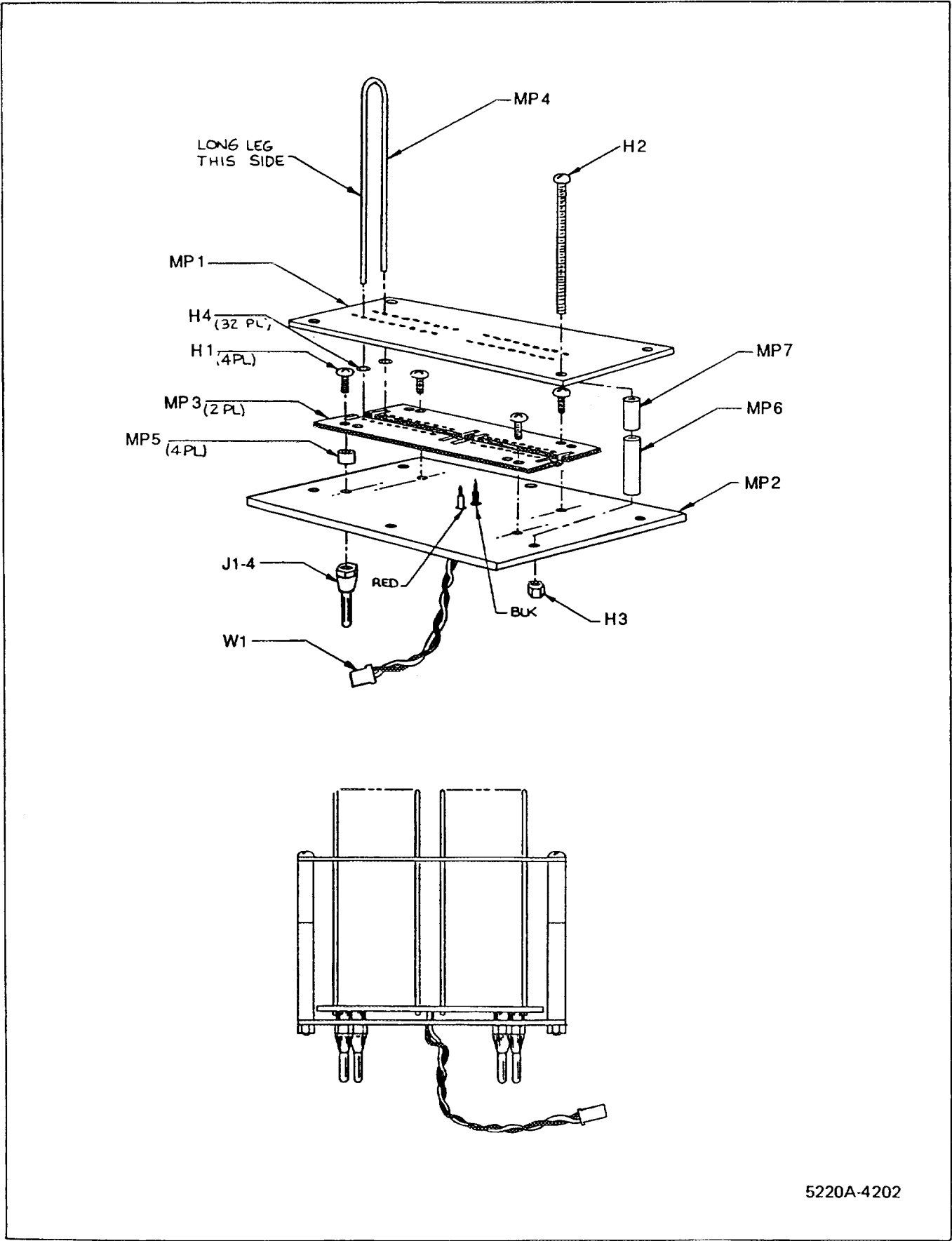
Figure 5-12. A11 MIS Bus PCB Assembly

Table 5-13. A12 Shunt Assembly
(See Figure 5-13.)
(See Note 1.)

REFERENCE DESIGNATOR		FLUKE STOCK	MFRS SPLY	MANUFACTURERS PART NUMBER	TOT	N O T	
-A>-NUMERICS----->	S-----DESCRIPTION-----	--NO--	-CODE-	-OR GENERIC TYPE-----	QTY--	-E---	
H	1			SCREW, MACH, SEMS, PH, P, STL, 6-32X.500	177030	COMMERCIAL	4
H	2			SCREW, MACH, RH, SL, STL, 6-32X2.750	115022	COMMERCIAL	4
H	3			NUT, MINI, HEX, SS, 6-32	110569	COMMERCIAL	4
H	4			SOLDER, TIN-LEAD ALLOY, PREFORM RING	516989	75297 SR63-.025	32
J	1- 4			BANANA PLUG, PANEL	101543	05276 3765	4
MP	1			TOP SUPPORT, SHUNT	489906	89536 489906	1
MP	2			BOTTOM SUPPORT, SHUNT	489914	89536 489914	1
MP	3			TERMINAL, SHUNT	489922	89536 489922	2
MP	4			ELEMENT, SHUNT	524397	89536 524397	16
MP	5			SPACER, RND, ALUM, 0.156IDX0.156	157792	89536 157792	4
MP	6			SPACER, RND, ALUM, 0.156IDX1.500	104257	55566 1144 6 A 22	4
MP	7			SPACER, RND, ALUM, 0.156IDX1.000	102905	89536 102905	4
W	1			CABLE, SHUNT	502674	89536 502674	1

An * in 'S' column indicates a static-sensitive part.

NOTE: This is a suggested Non-Repairable Assembly



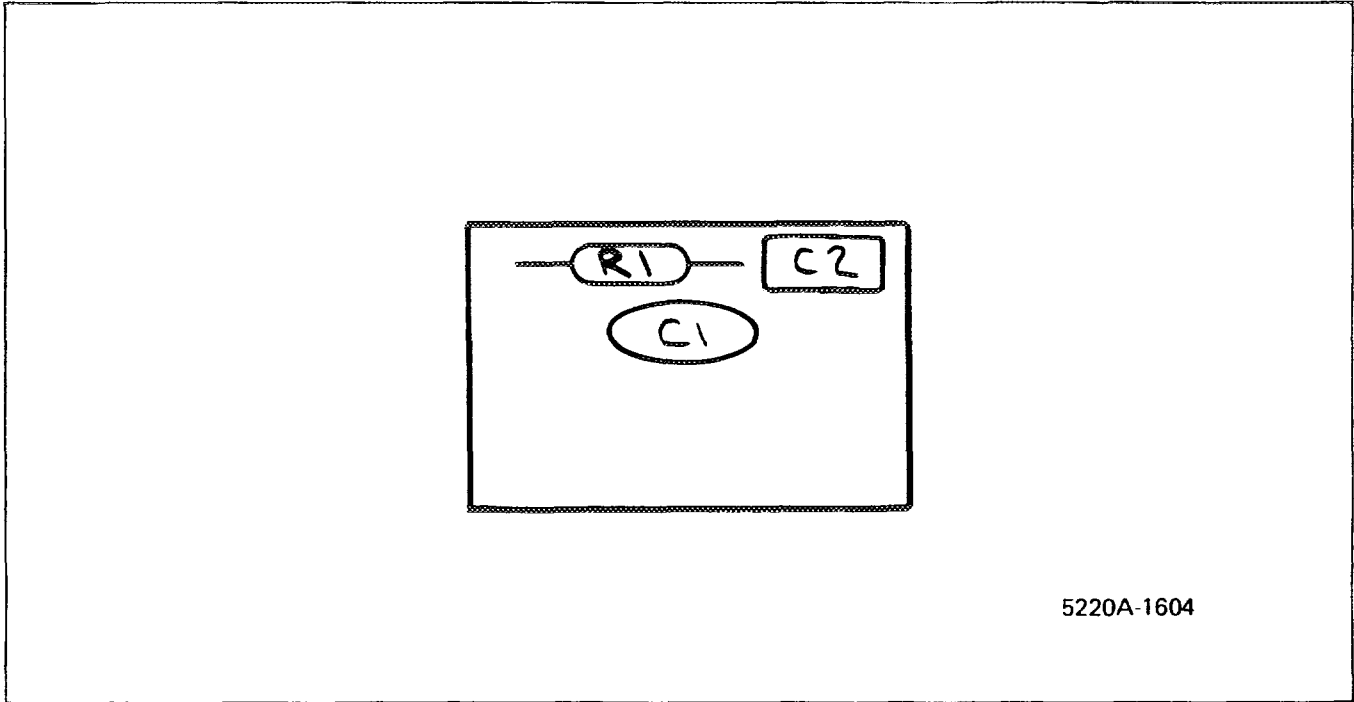
5220A-4202

Figure 5-13. A12 Shunt Assembly

Table 5-14. A13 Output Termination PCB Assembly
(See Figure 5-14.)

REFERENCE DESIGNATOR		DESCRIPTION	FLUKE STOCK NO	MFRS SPLY CODE	MANUFACTURERS PART NUMBER OR GENERIC TYPE	TOT QTY	N O T E
C 1		CAP, CER, 0.025UF, +-20%, 100V, Z5W	168435	56289	CO238101H253M	1	
C 2		CAP, CER, 0.1UF, +80-20%, 25V, Z5U	369199	19701	U104M59Y5PEGTKM	1	
R 1		RES, MF, 40.2, +-1%, 0.125W, 100PPM	245373	91637	MFF1-840R2F	1	

An * in 'S' column indicates a static-sensitive part.



5220A-1604

Figure 5-14. A13 Output Termination PCB

Table 5-15. A14 Extender PCB Assembly
(See Figure 5-15.)

REFERENCE DESIGNATOR	FLUKE STOCK	MFRS SPLY	MANUFACTURERS PART NUMBER	TOT QTY	N O T
-A>-NUMERIC5-----> S-----DESCRIPTION-----	--NO--	-CODE-	-OR GENERIC TYPE-----	QTY--	-E---
H 1	178533	COMMERCIAL		4	
H 2	103606	12014	R3647X7-32	2	
J 1	422550	00779	2-583407-0	1	
J 2	424572	00779	530286-2	1	
MP 1	404525	73734	36-510	4	

An * in 'S' column indicates a static-sensitive part.

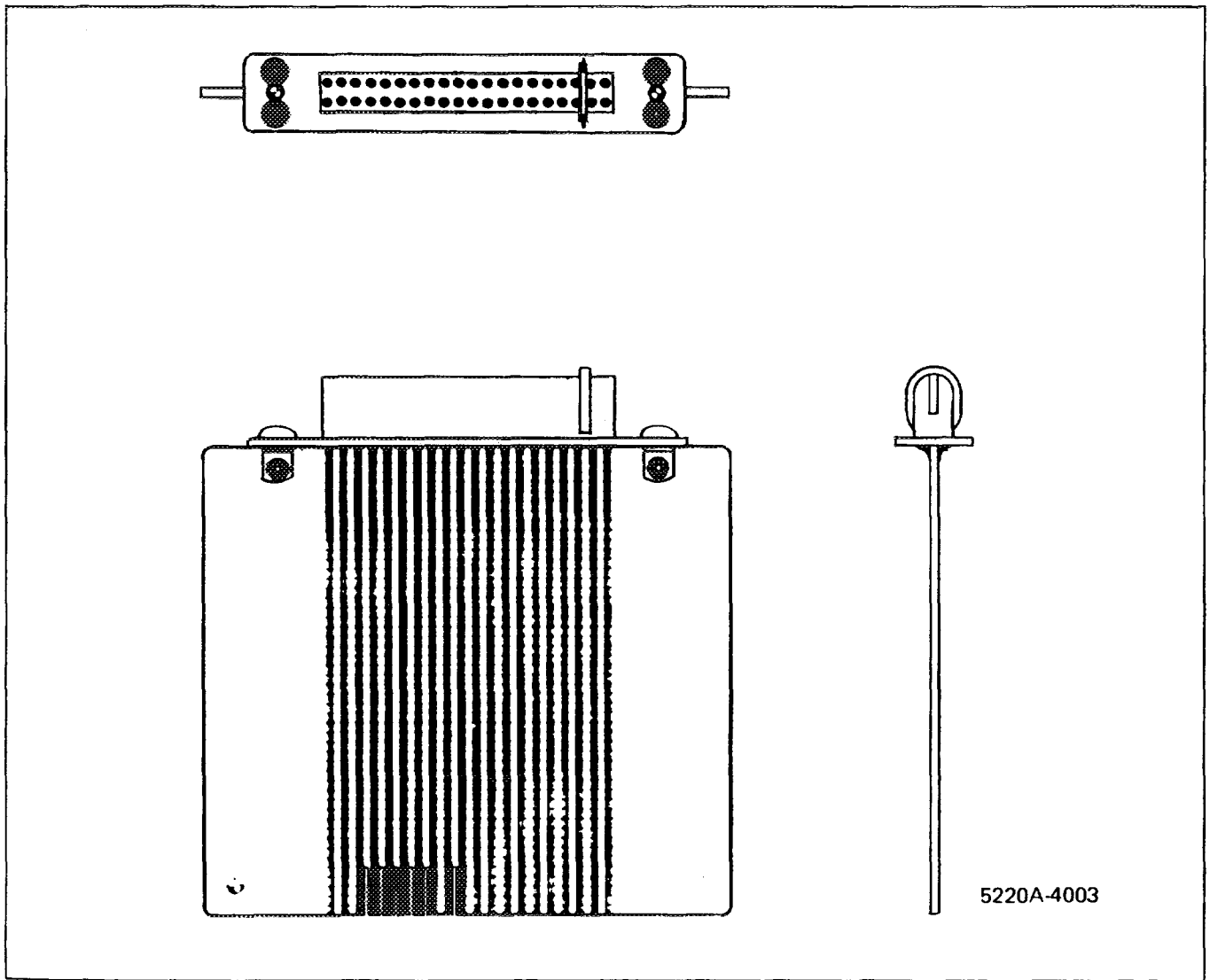


Figure 5-15. A14 Extender PCB Assembly

MANUFACTURER'S FEDERAL SUPPLY CODES

00779 AMP, Inc. Harrisburg, PA	12040 National Semiconductor Corporation Danbury, CT	17856 Siliconix Inc. Santa Clara, CA	51506 Accurate Screw Machine Co. (ASMCO) Nutley, NJ
01121 Allen Bradley Co. Milwaukee, WI	12615 U.S. Terminals Inc. Cincinnati, OH	19701 Philips Components Mineral Wells, TX	52500 Amphenol RF Operations Burlington, MA
01295 TX Instruments Inc. Semiconductor Group Dallas, TX	12954 Microsemi Corporation Components Group Scottsdale, AZ	21845 Solitron Devices Inc. Semiconductor Group Rivera Beach, FL	52769 Sprague-Goodman Electronics, Inc. Garden City Park, NY
03911 Clairex Corporation Clairex Electronics Div. Mount Vernon, NY	13050 Potter Company Wesson, MS	27014 National Semiconductor Corporation Santa Clara, CA	54492 Cinch Clamp Co., Inc. Santa Rosa, CA
04713 Motorola Inc. Semiconductor Group Phoenix, AZ	13103 Thermalloy Co., Inc. Dallas, TX	27264 Molex Inc. Lisle, IL	54590 RCA Corporation Dist. & Special Products Cherry Hill, NY
05276 ITT Pomona Electronics Division Pomona, CA	13919 Burr-Brown Research Corp. Tucson, AZ	28480 Hewlett Packard Co. Corporate HQ Palo Alto, CA	55285 Bercquist Co. Minneapolis, MN
06383 Panduit Corporation Tinley Park, IL	14552 Microsemi Corporation (formerly: Micro-Semi- Conductor Corp.) Santa Ana, CA	28520 Heyco Molded Products Kenilworth, NJ	55566 RAF Electronic Hardware Seymour, CT
06665 Precision Monolithics Sub. of Bourns Inc. Santa Clara, CA	14604 Elmwood Sensors, Inc. Pawtucket, RI	31433 Kemet Electronics Corp. Simpsonville, NC	56289 Sprague Electric Company North Adams, MA
07047 Ross Milton Co., Inc. Southampton, PA	14655 Cornell-Dubilier Electronics Div. of Federal Pacific Electric Co. Govt Cont Dept Newark, NJ	31522 Metal Masters Inc. Baldwin, MS	57668 Rohm Corporation Irvine, CA
07263 Fairchild Semiconductor North American Sales Ridgeview, CT	15636 Elec-Trol Inc. Saugus, CA	32559 Bivar Santa Ana, CA	59124 KOA-Speer Electronics Inc. Bradford, PA
07910 Teledyne Semiconductor Mountain View, CA	15818 Teledyne Inc. Co. Teledyne Semiconductor Division Mountain View, CA	32997 Bourns Inc. Trimpot Division Riverside, CA	59660 Tusonix Inc. Tucson, AZ
09023 Cornell-Dubilier Electronics New Bedford, MA		50579 Litronix Inc. Cupertino, CA	60705 Cera-Mite Corporation (formerly: Sprague) Grafton, WI

MANUFACTURER'S FEDERAL SUPPLY CODES (cont)

61935 Schurter Inc. Petaluma, CA	71590 Mepco/Centralab A North American Philips Co. Fort Dodge, IA	80031 Mepco/Electra Inc. Morristown, NJ	85840 Brady W.H., Co. Industrial Products Div. Milwaukee, WI
62643 United Chemicon Rosemont, IL	73734 Federal Screw Products Inc. Chicago, IL	80294 Bourns Instruments Inc. Riverside, CA	86928 Seastrom Mfg. Co. Inc. Glendale, CA
65940 Rohm Corp. & Whatney Irvine, CA	74902 International Resistor Co. replaced by: TRW, Inc. TRW Electronic Components Philadelphia, PA	82240 Simmons Fastener Corp. Albany, NY	88245 Winchester Electronics Litton Systems-Useco Div. Van Nuys, CA
70903 Cooper-Belden Corp. Geneva, IL	75297 Kester Solder Division Litton Systems, Inc. Des Plaines, IL	82389 Switchcraft Inc. Sub of Raytheon Co. Chicago, IL	89536 John Fluke Mfg. Co., Inc. Everett, WA
71002 Bimbach Co. Inc. Farmingdale, NY	75915 Littelfuse Tracor formerly: Tracor-Littelfuse) Des Plaines, IL	82877 Rotron Inc. Custom Div. Woodstock, NY	9W423 Amatom El Mont, CA
71400 Bussman Manufacturing Div. McGraw-Edison Co. St. Louis, MO	79963 Zierick Mfg. Corp. Mount Kisco, NY	83478 Rubbercraft Corp. of America West Haven, CT	91637 Dale Electronics Inc. Columbus, NE



Service Centers

USA

California

Fluke Service Center
46610 Landing Parkway
Fremont, CA 94538
TEL: (510) 651-5112
FAX: (510) 651-4962

Fluke Service Center

16715 Von Karman Avenue
Suite 110
Irvine, CA 92714
TEL: (714) 863-9031
FAX: (714) 757-7556

Florida

Fluke Service Center
550 S. North Lake Blvd.
Altamonte Springs, FL 32701-5227
TEL: (407) 331-2929
FAX: (407) 331-3366 or 331-7710

Illinois

Fluke Service Center
1150 W. Euclid Avenue
Palatine, IL 60067
TEL: (708) 705-0500
FAX: (708) 705-9989

New Jersey

Fluke Service Center
W. 75 Century Rd
or P.O. Box 930
Paramus, N.J. 07652
TEL: (201) 599-9500 (599-0919)
FAX: (201) 599-2093

Texas

Fluke Service Center
2104 Hutton Drive
Suite 112
Carrollton, TX 75006
TEL: (214) 406-1000
FAX: (214) 406-1072

Washington

Fluke Service Center
Fluke Corporation
Building #4
1420 - 75TH St. S.W.
M/S 6-30
Everett WA 98203
TEL: (206) 356-5560
FAX: (206) 356-6390

INTERNATIONAL

Argentina

Coasin S.A.
Virrey del Pino 4071
1430 CAP FED
Buenos Aires
TEL: 54-1-552-5248
FAX: 54-1-11-1427

Viditec S.A

Lacarra 234
Buenos Aires CP 1407
TEL: 54-1-636-1199
FAX: 54-1-636-2185

Australia

Phillips Customer Support
Scientific and Industrial
23 Lakeside Drive
Tally Ho Technology Park
East Burwood
Victoria 3151
TEL: 61-3-881-3666
FAX: 61-3-881-3636

Phillips Customer Support

Scientific and Industrial
Block F, Centrecourt
34 Waterloo Road
North Ryde, N.S.W. 2113
TEL: 61-2-888-0416
FAX: 61-2-888-0440

Austria

Fluke Vertriebsges. m.b.H.
SudrandstraBe 7
P.O. Box 10
A-1232 Vienna
TEL: 43-1-614-100
FAX: 43-1-61410-10

Belgium

N.V. Fluke Belgium/S.A.
T&M Customer Support
Langeveldpark - Unit 5 & 7
P.Basteleusstraat 2-4-6
1600 St. Pieters - Leeuw
TEL: 218-2-331-2777
FAX: 32-2-331-1489

Bolivia

Coasin Bolivia S.R.L.
Casilla 7295
La Paz, Bolivia
TEL: 591-2-340962
FAX: 591-2-359268

Canada

Fluke Electronics Canada Inc.
400 Britannia Road East, Unit #1
Mississauga, Ontario
L4Z 1X9
TEL: 905-890-7600
FAX: 905-890-6866

Chile

Intronica
Instrumentacion Electronica,
S.A.C.I.
Guardia Vieja 181 Of. 503
Casilla 16500
Santiago 9
Chile
TEL: 56-2-232-3888
FAX: 56-2-231-6700

China

Fluke Service Center
Room 2111 Scite Tower
Jianguomenwai Dajie
Beijing 100004
TEL: 86-1-512-3435 or 6351
FAX: 86-1-512-3437

Colombia

Sistemas E Instrumentacion,
Ltda.
Carrera 21, NO. 39A-21, OF.
101
Ap. Aereo 29583
Bogota
TEL: 57-1-287-5424
FAX: 57-1-287-248

Costa Rica

Electronic Engineering, S.A.
Carretera de Circunvalacion
Sabanilla Av. Novena
P.O. Box 4300-1000
San Jose
TEL: 506-253-3759
FAX: 506-225-1286

Danmark

Fluke Danmark A/S
T&M Customer Support
Ejby Industrivej 40
DK 2600 Glostrup
TEL: 45-43-44-1900
FAX: 45-43-43-9192

Ecuador

Proteco Coasin Cia., Ltda.
Av. 12 de Octubre 2449 y
Orellana
P.O. Box 17-03-228-A
Quito
TEL: 593-2-230283 or 520005
FAX: 593-2-561980

Fiji

Communications Pacific, Ltd.
37 Freeston Road
Walu Bay
G.P.O. Box 858
Suva
TEL: 679 312744
FAX: 679 300379

Finland

Fluke Finland Oy
Sinikalliontie 3
SF-02631 Espoo
TEL: 358-0-5026-6247
FAX: 358-0-5026-414

France

Fluke France S.A.
37 Rue Voltaire
BP 112
93700 Drancy,
TEL: 33-1-48-966361
FAX: 33-1-48-966330

Germany

Fluke Deutschland GmbH
Service & Calibration Lab.
Oskar-Messter-Strasse 18
85737 Ismaning/Munich
TEL: 49-89-99611-260
FAX: 49-89-99611-270

Fluke Deutschland
Test & Measurement
Meiendorferstrasse 205
22145 Hamburg 73
TEL: 49-40-6797-434
FAX: 49-40-6797-421

Hong Kong

Schmidt & Co (H.K.) Ltd.
1st Floor
323 Jaffe Road
TEL: 852-9223-5623
FAX: 852 834-1848

Ireland, Republic of

Fluke U.K. LTD.
Customer Support
Colonial Way
Watford
Hertfordshire WD2 4TT U.K.
TEL: 44-923-240511
FAX: 44-923-225067

India

Hinditron Services Pvt. Inc.
33/44 Rajmahal Vilas Extension
8th Main Rd.
Bangalore 560 080
TEL: 91-80-334-8266
FAX: 91-80-3345022

Hinditron Services Pvt. Ltd

1st Floor, 17-B,
Mahal Industrial Estate
Mahakali Road, Andheri East
Bombay 400 093
TEL: 91-22-837-0013
FAX: 91-22-837-0087

Hinditron Services Pvt. Ltd

Castle House, 5th Floor
5/1 A, Hungerford Street
Calcutta 700 017

Hinditron Services Pvt. Ltd

15 Harrington Road
Chetpet
Madras 600031

Service Centers (cont)

Hindtron Services Pvt. Ltd.
204-206 Hemkunt Tower
98 Nehru Place
New Delhi 110 019
TEL: 91-11-641-0380
FAX: 91-11-642-9118

Hinditron Services Pvt. Ltd.
Field Service Center
Emerald House
5th Floor
114 Sarojini Devi Road
Secunderabad 500 003
TEL: 91 842-844033

Indonesia

P. T. Daeng Brothers
Phillips House
J/n H.R. Rasuna Said Kav. 3-4
Jakarta 12950
TEL: 62-21-520-1122
FAX: 62-21-520-5189

R.D.T Equipment and Systems, Ltd.
P.O. Box 58072
Tel Aviv 61580
TEL: 972-3-645-0745
FAX: 972-3-647-8908

Italy

Fluke Italia S.R.L.
T&M Customer Support
Viale Delle Industrie, II
20090 Vimodrone (MI)
TEL: 39-2-268434-435
FAX: 39-2-250-1645

Japan

Fluke Corporation
Sumitomo Higashi Shinbashi
Bldg.
1-1-11 Hamamatsucho
Minato-ku
Tokyo 105
TEL: 81-3-3434-0188
FAX: 81-3-3434-0170

Korea

B&P International Co., Ltd.
Geopung Tocon A-1809
203-1 Nonhyun-Dong
Kangnam-Ku
Seoul 135-010
TEL: 82 02 546-1457
FAX: 82 02 546-1458

IL MYOUNG, INC.
780-46, Yeogsam-Dong
Youngdong P.O. Box 1486
Kangnam-Ku
Seoul
TEL: 82 2 552-8582-4
FAX: 82 2 553-0388

Malaysia

CNN. SDN. BHD.
17D, 2nd Floor
Lebuhraya Batu Lancang
Taman Seri Damai
11600 Jelutong Penang
TEL: 60-4-657-9584
FAX: 60-4-657-0835

Mexico

Mexel Mexicana De Electronica Industrial, S.A. De C.V.
Diagonal No. 27
Entra Calle de Eugenia Y Ave.
Col. Del Valle
C.P. 03100, Mexico D.F.
TEL: 52-5-682-8040
FAX: 52-5-687-8695

Mexicana De Electronica Industrial, S.A.
F-14 Bassett Center #541
6001 Gateway West
El Paso, TX 79925
TEL: 52-16-23-02-35
FAX: 52-16-23-02-35

Netherlands

Fluke Europe B.V.
Test & Measurement
Science Park
Eindhoven 5110
P.O. Box 1337
5602 BH Eindhoven
TEL: 31-40-644-226
FAX: 31-40-644-260

Fluke Netherland B.V.
Technische Service Prof. Act.
Hurksestraat, 2C
Gebouw HBR
5652 AJ Eindhoven
TEL: 31-40-722-626
FAX: 31-40-723-337

New Zealand

Phillips Customer Support
Scientific & Industrial
Private Bag 41904
St. Lukes, 2 Wagener Place
Mt. Albert, Auckland 3
TEL: 64-9-894-4160
FAX: 64-9-849-7814

Norway

Fluke Norway A/S
Customer Support
P.O. Box 6054 Etterstad
N-0601 Oslo
TEL: 47-22-653400
FAX: 47-22-653407

Pakistan (Philips)

Philips Electrical Industries of Pakistan, Ltd.
Islamic Chamber of Commerce
Industry and Commodity
Exchange Bldg.
St-2/A, Block 9, KDA Scheme 5,
Clifton, Karachi-75600
Pakistan

Peru

Importaciones & Representaciones Electronicas S.A.
JR. Pumacahua 955
Lima 11
TEL: 51-14-23-5099
FAX: 51-14-31-0707

Philippines

Spark Electronics Corp.
P.O. Box 610, Greenhills
Metro Manila 1502
TEL: 63-2-700-621
FAX: 63-2-721-0491

Portugal

Fluke Iberica, S.L.
IE Division - T&M Department
(Delegacao em Portugal)
Campo Grande, 35-7oB
1700 Lisboa
TEL: 351-1-795-1712
FAX: 351-1-795-1713

Singapore

Fluke Corporation
Singapore Representative Office
#27-03 PSA Building
460 Alexandra Road
Singapore 0511
TEL: 65-276-5161
FAX: 65-276-5759

South Africa

Spescom Measuregraph (PTY) Ltd.
Spescom Park
Crm. Alexandra Rd. & Second St.
Halfway House, Midrand 1695
TEL: 27-11-315-0757
FAX: 27-11-805-1192

Spain

Fluke Iberica S.L.
Centro Empresarial Euronora
c/Ronda de Poniente, 8
28760-Tres Cantos
Madrid, Spain
TEL: 34-1-804-2301
FAX: 34-1-804-2496

Sweden

Fluke Sverige AB
T&M Customer Support
Kronborgsgrand 11
P.O. Box 61
S-164 94
TEL: 46-8-751-0235
FAX: 46-8-751-0480

Switzerland

Fluke Switzerland AG
T&M Customer Support
Rutistrasse 28
8952 Schlieven
Switzerland
TEL: 41-1-730-3310
FAX: 41-1-730-3932

Taiwan

Schmidt Electronics Corp.
5th Floor, Cathay Min Sheng
Commercial Building,
No. 178 Sec. 2
Min Sheng East Road
Taipei
TEL: 886-2-501-3468
FAX: 886-2-502-9692

Thailand

Measuretronix Ltd.
2102/31 Ramkamhang Road
Bangkok 10240
TEL: 66-2-375-2733, 375-2734
FAX: 66-2-374-9965

United Kingdom

Fluke U.K. LTD.
Customer Support
Colonial Way
Watford
Hertfordshire WD2 4TT
TEL: 44-923-240511
FAX: 44-923-225067

Uruguay

Coasin Uruguay S.A.
Casilla de Correo 1400
Libertad 2529
Montevideo
TEL: 598-2-789-015
FAX: 598-2-492-199

Venezuela

Coasin C.A.
Calle 9 Con Calle 4, Edif.
Edinurbi
Apartado de Correos NR-70.136
Los Ruices
Caracas 1070-A
TEL: 58-2-241-0309, 241-1248
FAX: 58-2-241-1939

Vietnam

Schmidt-Vietnam Co., Ltd.
6/FI.Federalogical College Bldg.
Dich Vong, KM 8 Highway 32
Tu Liem - Hanoi
TEL: 84-4-346186
FAX: 84-4-346188

Section 6
Option & Accessory Information

TABLE OF CONTENTS

OPTION/ MODEL NO.	DESCRIPTION	PAGE
	ACCESSORIES	
M08-205-600	Rack Mounting Kit	600-1
M00-280-610	Rack Slide Kit	600-1
Y5020	Current Shunt	600-1

6-1. INTRODUCTION

6-2. This section of the manual documents the options and accessories available for use with the 5220A.

Currently, there are no options, and the accessories are limited to a choice of two rack-mounting kits and a precision current shunt for calibration purposes. Each is described in the following accessories subsection.

Accessories

600-1. RACK MOUNTING KIT (M08-205-600)

600-2. The 5220A can be rack mounted in a standard 19-inch equipment rack using Rack Mounting Kit M08-205-600. Use the following procedure to install the kit:

1. Peel off the name plate decals from the front side corners of the instrument.
2. Remove the front corner screws which match the hole pattern in the rack mounting ears (see Figure 600-1).
3. Attach the rack mounting ears to the front corners of the unit using the screws supplied in the rack mounting kit.

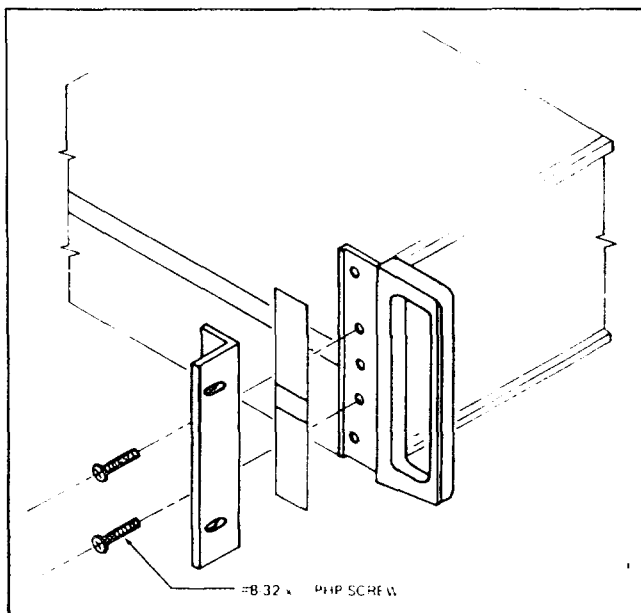


Figure 600-1. Rack Mounting Kit

600-3. RACK SLIDE KIT (M00-280-610)

600-4. The 5220A can be rack mounted in a 24-inch deep equipment rack using the Rack Slide Kit M00-280-610. Use the following procedure to install the kit:

1. Remove the horizontal side trim decal from both sides of the instrument.
2. Refer to Figure 600-2. Using the screws supplied with the kit, attach the chassis section (B) of the slide kit to each side of the unit. Use the center row of mounting holes.
3. Install the cabinet section (D) of the center section (C) in the equipment rack.
4. Pull the center section of the slide out through the front of the equipment rack until it locks in the extended position.
5. Depress the spring locks on the chassis section (B) and join sections B and C.
6. Push the instrument into the equipment rack and then pull it out to the extended position. The spring locks should limit the rack slide travel.

600-5. Y5020 CURRENT SHUNT

600-6. The Model Y5020 is a precision, high-current shunt recommended for use in calibrating the Model 5220A Transconductance Amplifier. An instruction manual is supplied with the unit.

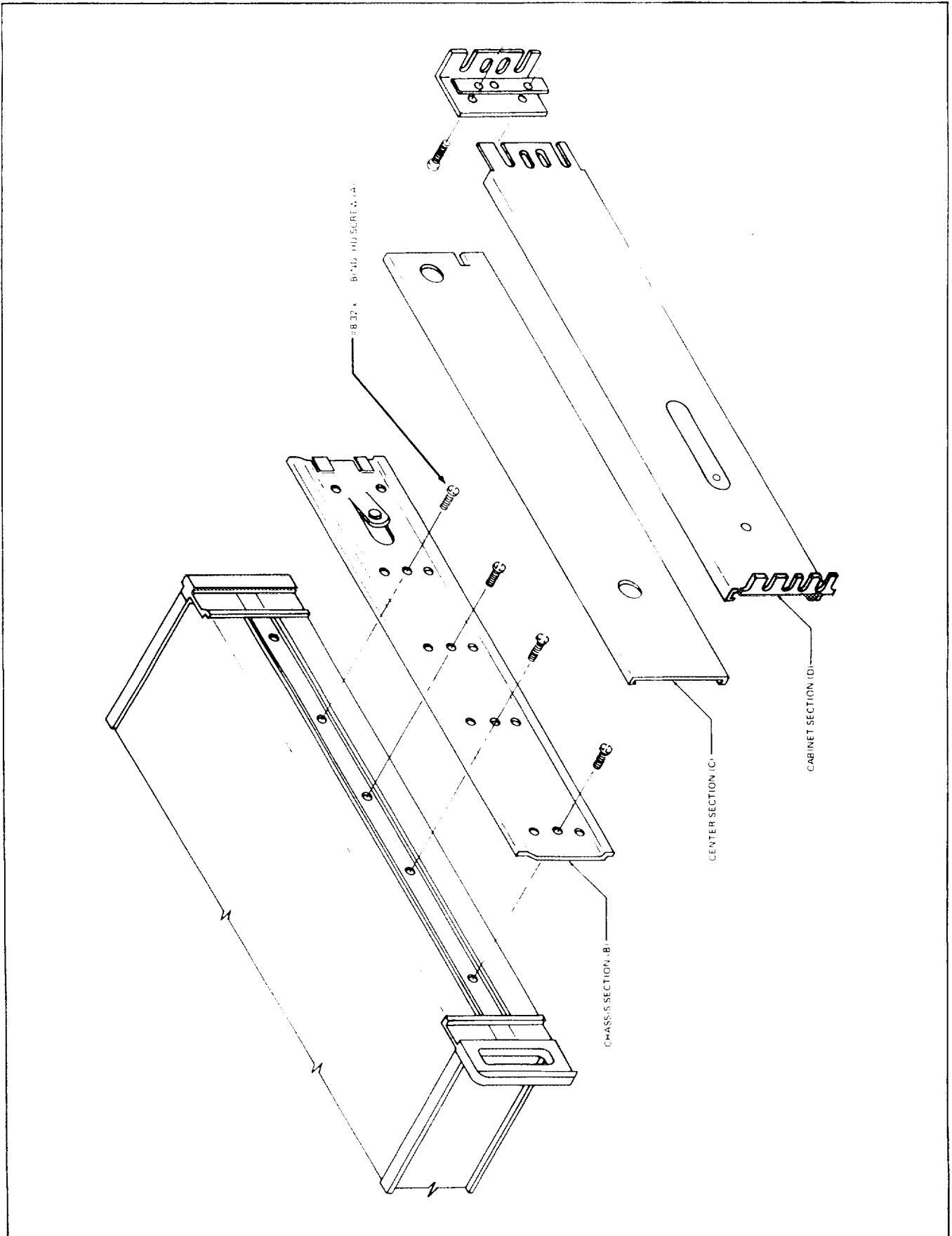


Figure 600-2. Rack Slide Kit